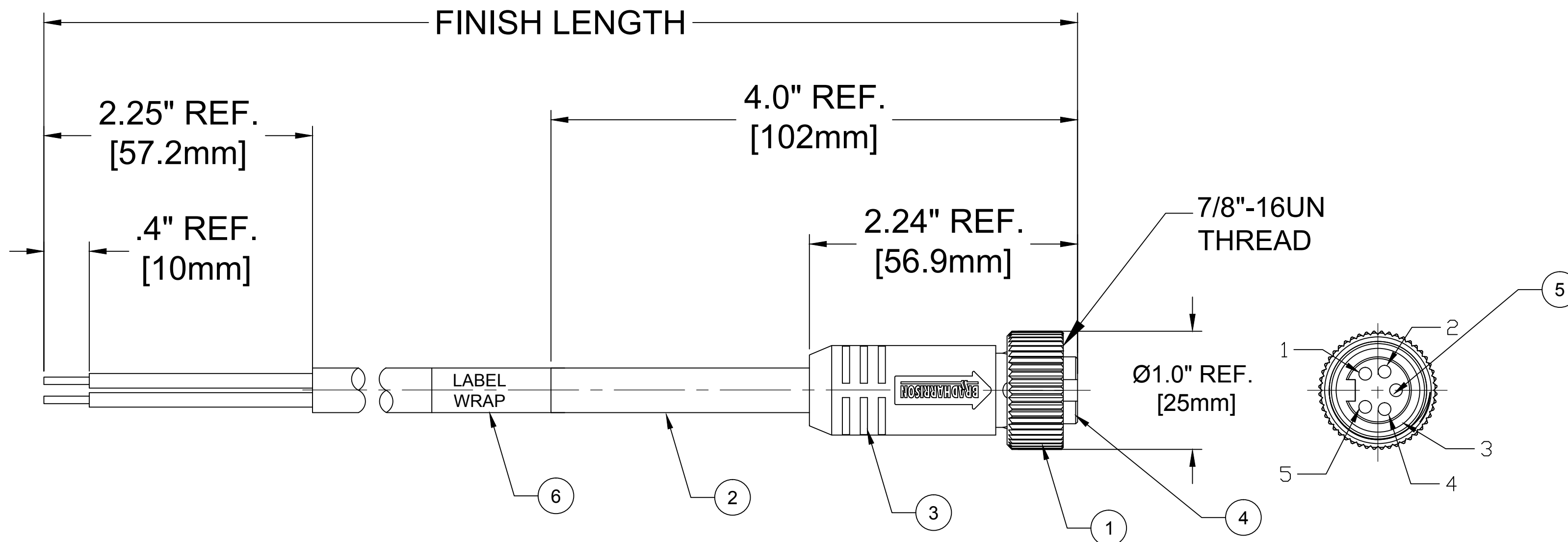


PART NO.	ENGINEERING NO.	FINISHED LENGTH
1300060048	105000K13M010	1.0M+55.6mm-0 [3'3"+2.19-0]
1300060049	105000K13M020	2.0M+88.9mm-0 [6'7"+3.50-0]

CHART
D



NOTES: D

- MATERIAL: AS NOTED
- FINISH: AS NOTED
- ELECTRICAL:
VOLTAGE: 400V PER IEC60664
600V PER UL2238
CURRENT: 10A
- TEMP RATING: -40°TO +90°C
- PROTECTION: IP67 (WHEN MATED)
- ALL DIMS ARE FOR REFERENCE UNLESS NOTED OTHERWISE
- UL LISTED PER FILE: E152210

105000K13M010

cable type
16/5C AWG
TPE YELLOW

cable length
M005= 0.5 METER
M010= 1 METER
M100= 10 METER

WIRING DIAGRAM

1	WHITE
2	RED
3	GREEN/YELLOW
4	ORANGE
5	BLACK

MECHANICAL CHARACTERISTICS:

TORSIONAL FLEX TEST	20 MILLION CYCLES PER MIL-C-13777G
BEND FLEX TEST	20 MILLION CYCLES PER MIL-C-13777G
WELD SLAG RESISTANCE	WOODHEAD STANDARD S-300

D

CABLE LENGTH TOLERANCES

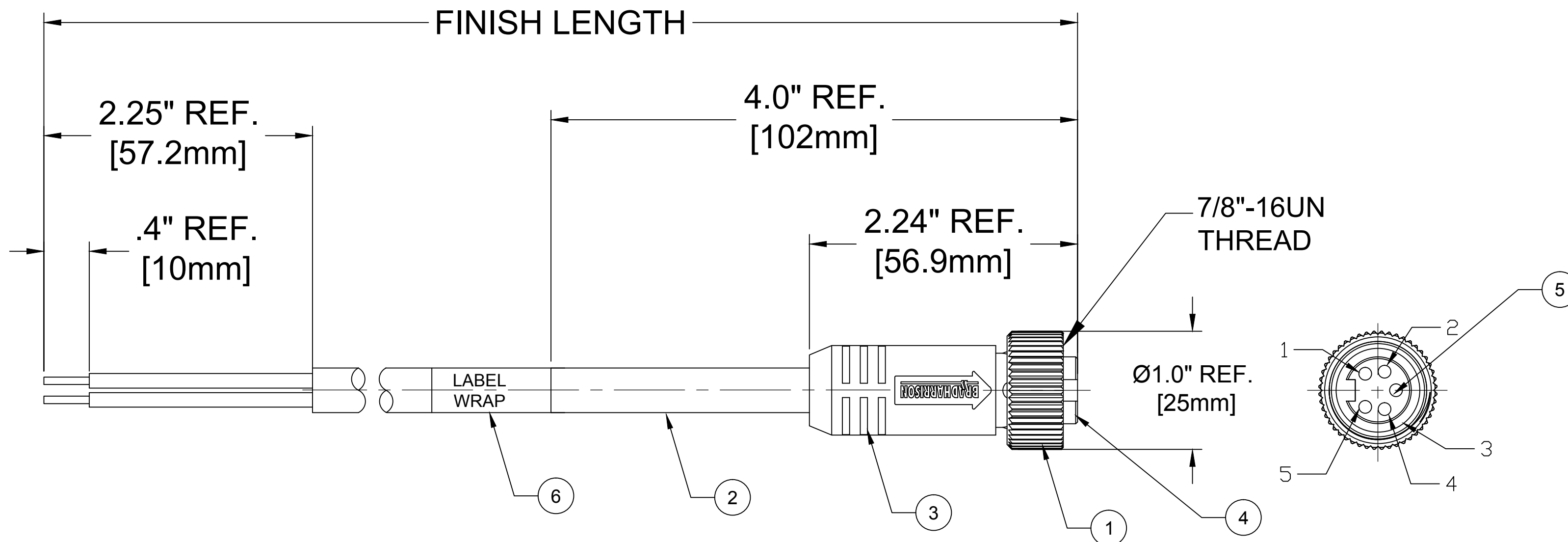
>.3M [1FT]:	+19mm-0 [+ .75in-0]
.3 - .9M [1 - 3FT]:	+44.5mm-0 [+1.75in-0]
.9 - 1.8M [3 - 6FT]:	+55.6mm-0 [+2.19in-0]
1.8 - 3.7M [6 - 12FT]:	+88.9mm-0 [+3.50in-0]
3.7 - 7.3M [12 - 24FT]:	+165.1mm-0 [+6.50in-0]
7.3-14.6M [24 - 48FT]:	+317.5mm-0 [+12.50in-0]
14.6 - 30.5M [48-100FT]:	+622.3mm-0 [+24.50in-0]
OVER 30M [100FT]:	+2% OF FINISHED LENGTH

ITEM	DESCRIPTION	MATERIAL	FINISH
6	WRAP LABEL	VINYL	BLACK/YELLOW
5	CONTACT PIN	COPPER ALLOY	GOLD OVER Ni
4	INSERT	ARNITEL	YELLOW
3	OVERMOLD	ARNITEL	YELLOW
2	CABLE, 16/5C	STDOV FLX TPE	YELLOW
1	COUPLING NUT	ZINC DIE CAST	BLACK/E-COATED

ADD TABLE FOR PARTS EC NO: IPG2018-0001 DRWN: AAKHTAR 2017/07/06 CH'KD: MZIELIN 2017/07/06 APPR: BWOODMAN2013/12/02	QUALITY SYMBOL	GENERAL TOLERANCES (UNLESS SPECIFIED)	DIMENSION STYLE IN/MM	SCALE ---	DESIGN UNITS INCH	THIRD ANGLE PROJECTION	
	▽=0 ▽=0	4 PLACES ±--- ±--- 3 PLACES ±--- ±--- 2 PLACES ±--- ±.01 1 PLACE ±--- ±---	DRAWN BY DATE GGUSTAFS 2013/11/22 CHECKED BY DATE TWOLDEGE 2013/12/17 APPROVED BY DATE BWOODMAN 2013/12/02	TITLE	MINI CHANGE 5 POLE FEMALE STRAIGHT 16/5 AWG TPE YELLOW		
	ANGULAR ±.5° DRAFT WHERE APPLICABLE MUST REMAIN WITHIN DIMENSIONS	MATERIAL NO. SEE CHART	MOLEX INCORPORATED DOCUMENT NO. SD-130006-069	SHEET NO. 1 OF 1			
	D	REV	SIZE C	THIS DRAWING CONTAINS INFORMATION THAT IS PROPRIETARY TO MOLEX INCORPORATED AND SHOULD NOT BE USED WITHOUT WRITTEN PERMISSION			

PART NO.	ENGINEERING NO.	FINISHED LENGTH
1300060048	105000K13M010	1.0M+55.6mm-0 [3'3"+2.19-0]
1300060049	105000K13M020	2.0M+88.9mm-0 [6'7"+3.50-0]

CHART
D



NOTES: D

- MATERIAL: AS NOTED
- FINISH: AS NOTED
- ELECTRICAL:
VOLTAGE: 400V PER IEC60664
600V PER UL2238
CURRENT: 10A
- TEMP RATING: -40°TO +90°C
- PROTECTION: IP67 (WHEN MATED)
- ALL DIMS ARE FOR REFERENCE UNLESS NOTED OTHERWISE
- UL LISTED PER FILE: E152210

105000K13M010

cable type
16/5C AWG
TPE YELLOW

cable length
M005= 0.5 METER
M010= 1 METER
M100= 10 METER

WIRING DIAGRAM

1	WHITE
2	RED
3	GREEN/YELLOW
4	ORANGE
5	BLACK

MECHANICAL CHARACTERISTICS:

TORSIONAL FLEX TEST	20 MILLION CYCLES PER MIL-C-13777G
BEND FLEX TEST	20 MILLION CYCLES PER MIL-C-13777G
WELD SLAG RESISTANCE	WOODHEAD STANDARD S-300

D

CABLE LENGTH TOLERANCES

>.3M [1FT]: +19mm-0 [+ .75in-0]
.3 - .9M [1 - 3FT]: +44.5mm-0 [+1.75in-0]
.9 - 1.8M [3 - 6FT]: +55.6mm-0 [+2.19in-0]
1.8 - 3.7M [6 - 12FT]: +88.9mm-0 [+3.50in-0]
3.7 - 7.3M [12 - 24FT]: +165.1mm-0 [+6.50in-0]
7.3-14.6M [24 - 48FT]: +317.5mm-0 [+12.50in-0]
14.6 - 30.5M [48-100FT]: +622.3mm-0 [+24.50in-0]
OVER 30M [100FT] +2% OF FINISHED LENGTH

ITEM	DESCRIPTION	MATERIAL	FINISH
6	WRAP LABEL	VINYL	BLACK/YELLOW
5	CONTACT PIN	COPPER ALLOY	GOLD OVER Ni
4	INSERT	ARNITEL	YELLOW
3	OVERMOLD	ARNITEL	YELLOW
2	CABLE, 16/5C	STDOV FLX TPE	YELLOW
1	COUPLING NUT	ZINC DIE CAST	BLACK/E-COATED

ADD TABLE FOR PARTS EC NO: IPG2018-0001 DRWN: AAKHTAR 2017/07/06 CH'KD: MZIELIN 2017/07/06 APPR: BWOODMAN2013/12/02	QUALITY SYMBOL	GENERAL TOLERANCES (UNLESS SPECIFIED)	DIMENSION STYLE IN/MM	SCALE ---	DESIGN UNITS INCH	THIRD ANGLE PROJECTION	
	▽=0 ▽=0	4 PLACES ±--- ±--- 3 PLACES ±--- ±--- 2 PLACES ±--- ±.01 1 PLACE ±--- ±---	DRAWN BY DATE GGUSTAFS 2013/11/22 CHECKED BY DATE TWOLDEGE 2013/12/17 APPROVED BY DATE BWOODMAN 2013/12/02	TITLE	MINI CHANGE 5 POLE FEMALE STRAIGHT 16/5 AWG TPE YELLOW		
	ANGULAR ±.5° DRAFT WHERE APPLICABLE MUST REMAIN WITHIN DIMENSIONS	MATERIAL NO. SEE CHART	MOLEX INCORPORATED DOCUMENT NO. SD-130006-069	SHEET NO. 1 OF 1			
	D	REV	SIZE C	THIS DRAWING CONTAINS INFORMATION THAT IS PROPRIETARY TO MOLEX INCORPORATED AND SHOULD NOT BE USED WITHOUT WRITTEN PERMISSION			