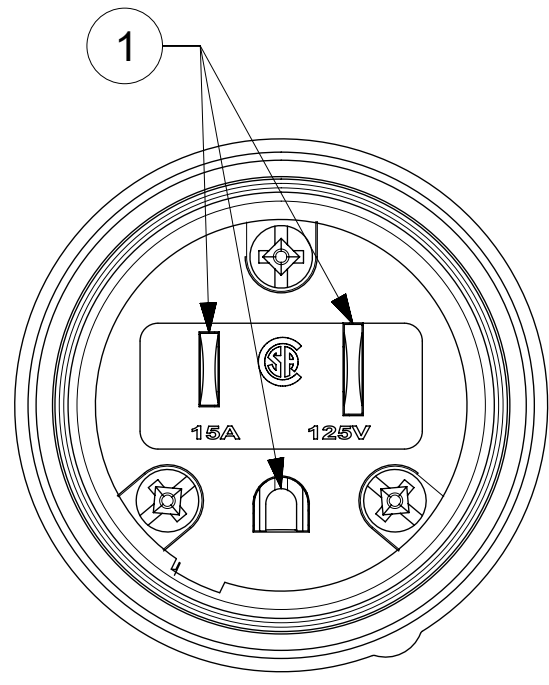
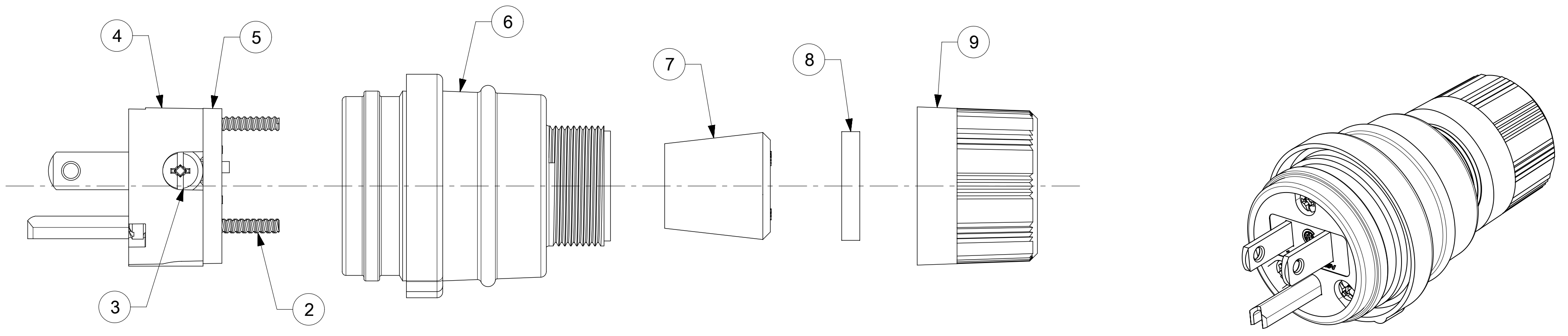
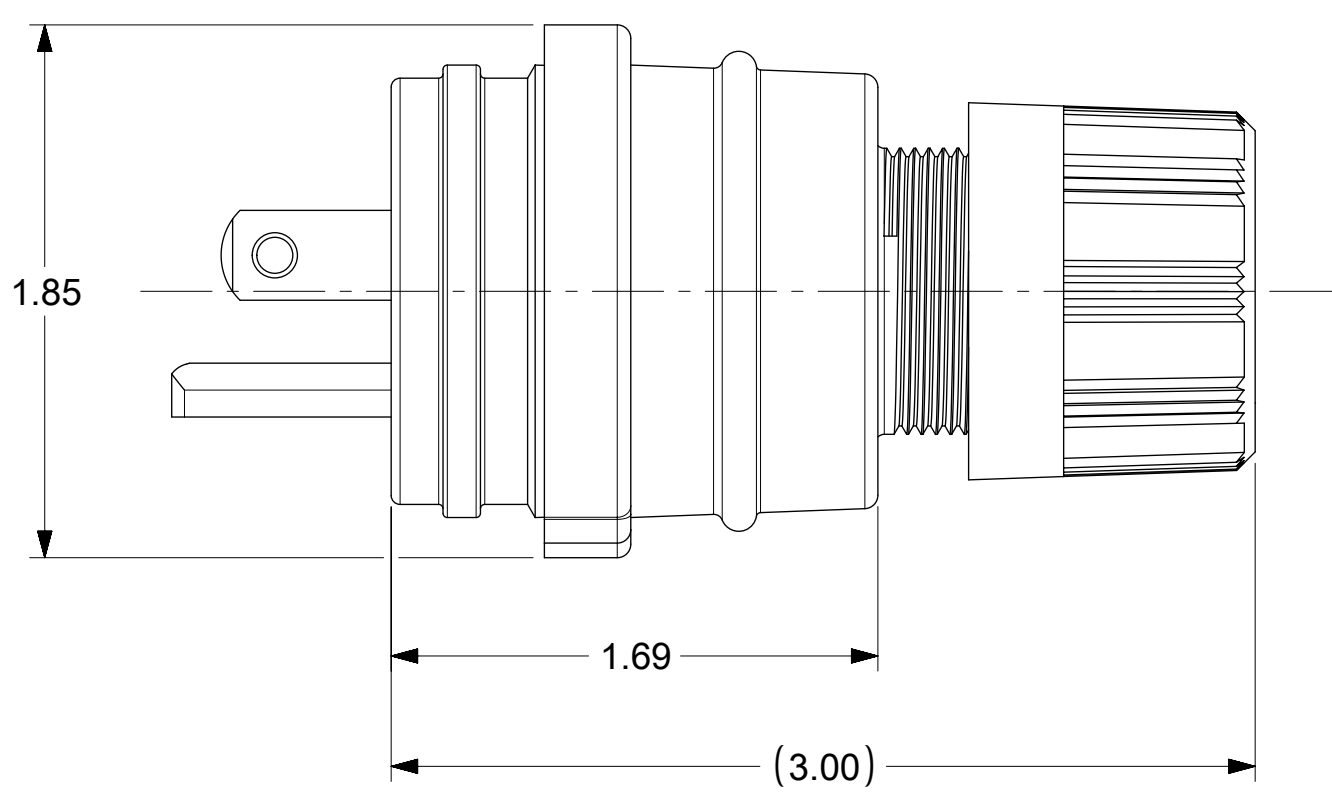


| ORDER NO. | WOODHEAD NO. | COLOR |
|-------------|--------------|--------|
| 130146-0185 | 14W47-P | YELLOW |
| 130146-0186 | 14W47BLK-P | BLACK |



FACE VIEW



- NOTES:**
- SEE INSTRUCTION SHEET NUMBER 1301414770 FOR PRODUCT SPECIFICATION.
 - CABLE RANGE FROM 0.375" TO 0.625"

| ITEM NO. | DESCRIPTIONS | MATERIAL | QTY. |
|----------|------------------|--------------------------|------|
| 1 | BLADES | BRASS | 3 |
| 2 | RETAINING SCREWS | STAINLESS STEEL | 3 |
| 3 | TERMINAL SCREWS | BRASS, ZINC PLATED | 3 |
| 4 | INSERT | NYLON | 1 |
| 5 | TERMINAL COVER | POLYCARBONATE | 1 |
| 6 | HOUSING | RUBBER WITH NYLON THREAD | 1 |
| 7 | GROMMETS | RUBBER | 5 |
| 8 | FRICTION RING | NYLON | 1 |
| 9 | COMPRESSION NUT | NYLON | 1 |

| | | | |
|-----------------|--|---|-----------------------------|
| SYMBOLS | | THIS DRAWING CONTAINS INFORMATION THAT IS PROPRIETARY TO MOLEX ELECTRONIC TECHNOLOGIES, LLC AND SHOULD NOT BE USED WITHOUT WRITTEN PERMISSION | |
| ▽ = 0 | DIMENSION UNITS | SCALE | CURRENT REV DESC: RELEASED |
| ▽ = 0 | INCH | NTS | |
| ▽ = 0 | GENERAL TOLERANCES (UNLESS SPECIFIED) | | |
| ▽ = 0 | ANGULAR TOL | ± 0.5° | |
| ▽ = 0 | 4 PLACES | ± | EC NO: 613379 |
| ▽ = 0 | 3 PLACES | ± 0.005 | DRWN: ABABU01 2018/11/12 |
| ▽ = 0 | 2 PLACES | ± 0.01 | CHK'D: DNGUYEN62 2019/03/13 |
| ▽ = 0 | 1 PLACE | ± 0.02 | APPR: HKNEELAND 2019/03/18 |
| □ = 0 | 0 PLACES | ± | INITIAL REVISION: |
| ■ = 0 | DRAFT WHERE APPLICABLE MUST REMAIN WITHIN DIMENSIONS | | DRWN: ABABU01 2018/11/12 |
| ▽ = 0 | THIRD ANGLE PROJECTION | | APPR: HKNEELAND 2019/03/18 |
| | DRAWING | | SERIES |
| | C-SIZE | | 130146 |
| DOCUMENT NUMBER | | DOC TYPE | DOC PART |
| 1301460185 | | PSD | 000 |
| MATERIAL NUMBER | | CUSTOMER | SHEET NUMBER |
| SEE TABLE | | GENERAL MARKET | 1 OF 1 |