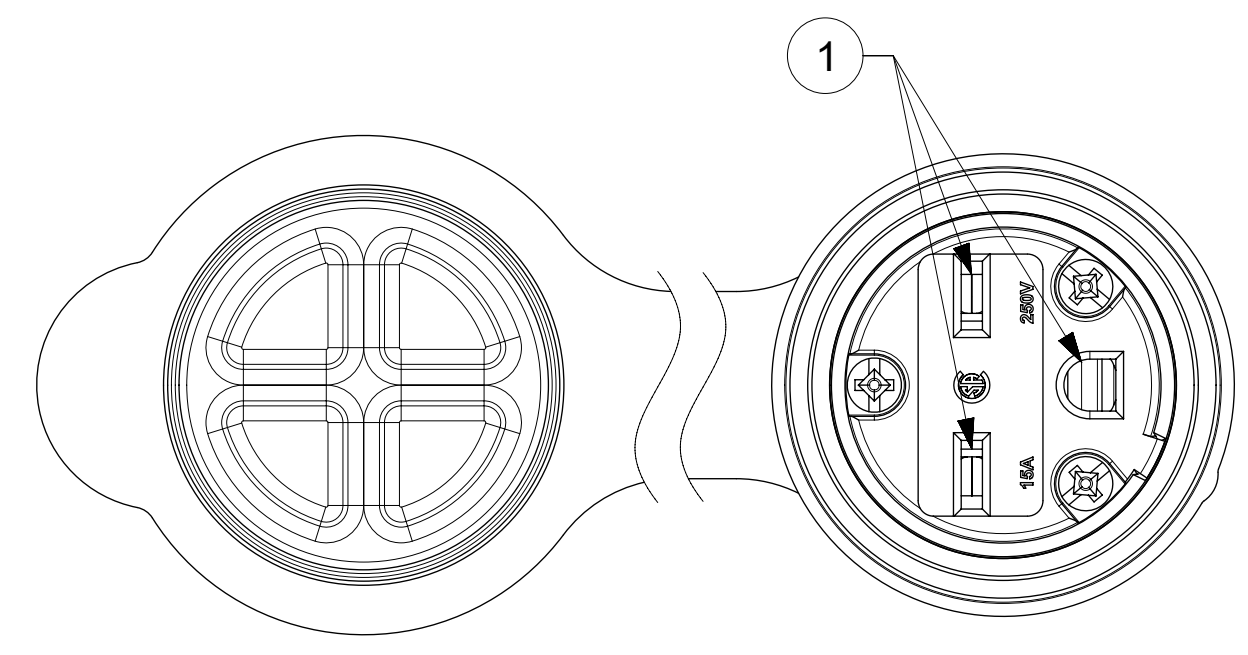
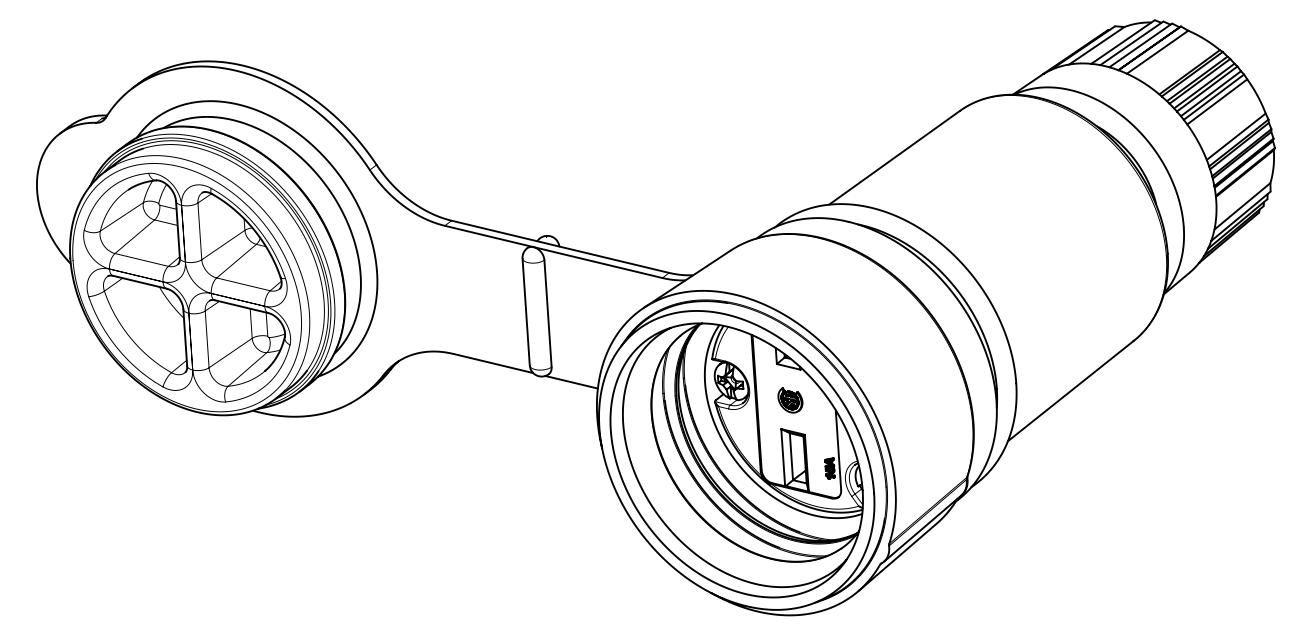
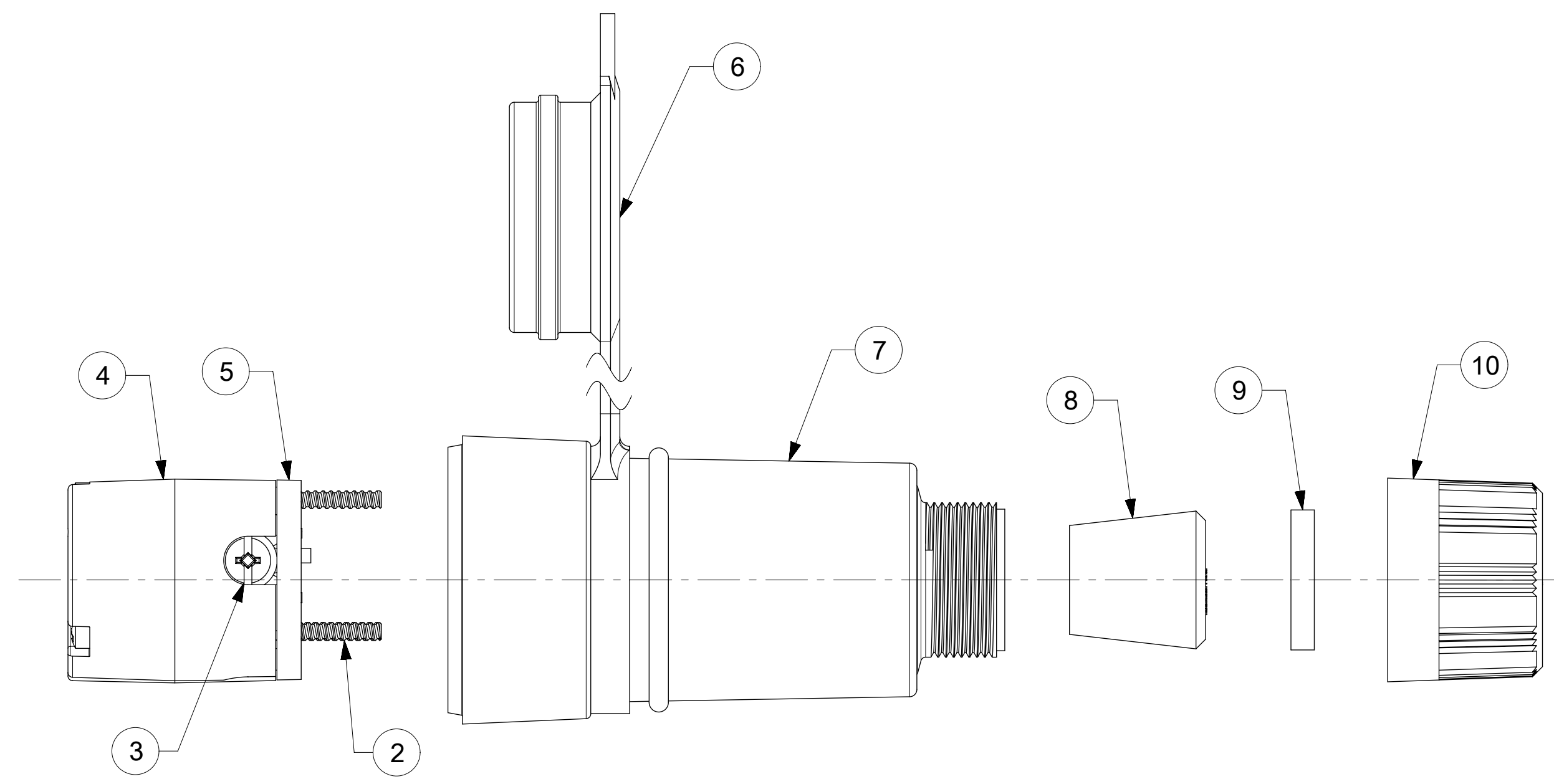
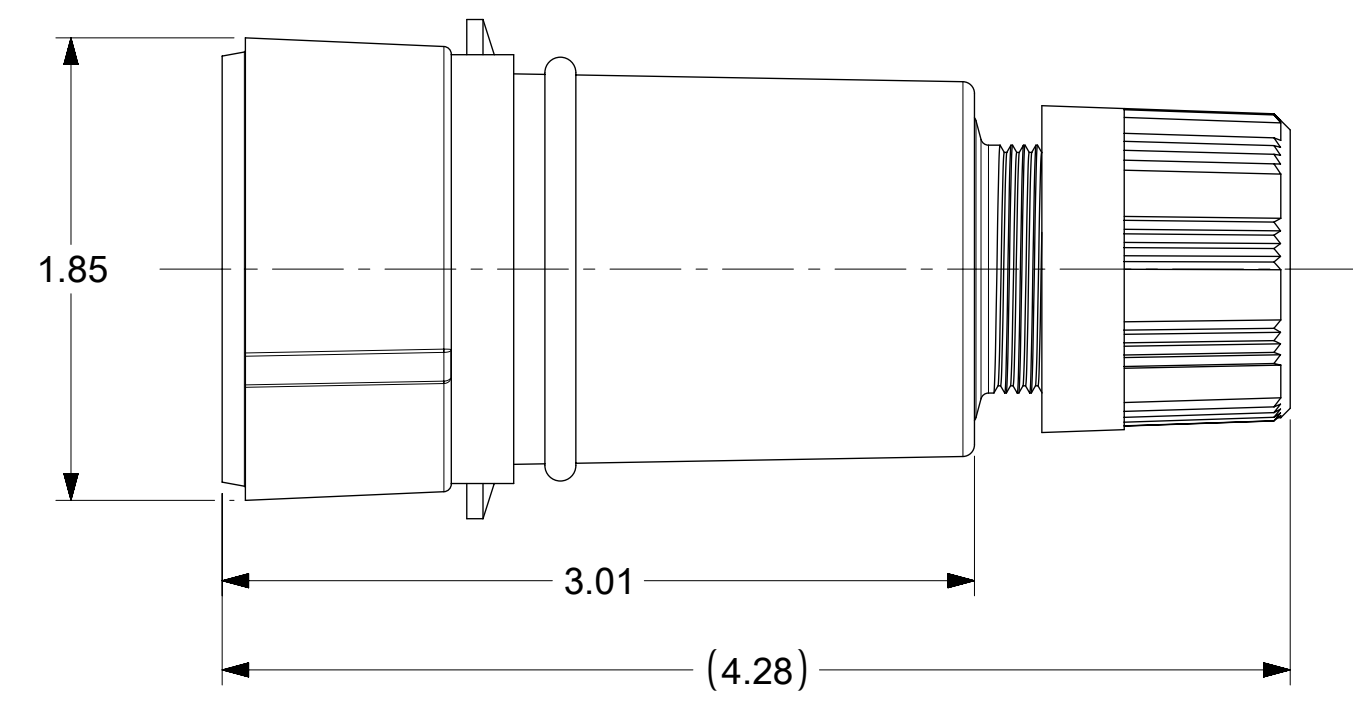


| | | |
|-------------|--------------|--------|
| ORDER NO. | WOODHEAD NO. | COLOR |
| 130146-0203 | 15W49-P | YELLOW |



FACE VIEW



| ITEM NO. | DESCRIPTIONS | MATERIAL | QTY. |
|----------|------------------|--------------------------|------|
| 1 | BLADES | BRASS | 3 |
| 2 | RETAINING SCREWS | STAINLESS STEEL | 3 |
| 3 | TERMINAL SCREWS | BRASS, ZINC PLATED | 3 |
| 4 | INSERT | NYLON | 1 |
| 5 | TERMINAL COVER | POLYCARBONATE | 1 |
| 6 | FLIP COVER | SILICON | 1 |
| 7 | HOUSING | RUBBER WITH NYLON THREAD | 1 |
| 8 | GROMMETS | RUBBER | 5 |
| 9 | FRICTION RING | NYLON | 1 |
| 10 | COMPRESSION NUT | NYLON | 1 |

NOTES:
 1. SEE INSTRUCTION SHEET NUMBER 1301414770 FOR PRODUCT SPECIFICATION.
 2. CABLE RANGE FROM 0.375" TO 0.625"

| | | | |
|---------|--|---|--------------------------------|
| SYMBOLS | | THIS DRAWING CONTAINS INFORMATION THAT IS PROPRIETARY TO MOLEX ELECTRONIC TECHNOLOGIES, LLC AND SHOULD NOT BE USED WITHOUT WRITTEN PERMISSION | |
| ▽ = 0 | DIMENSION UNITS | SCALE | CURRENT REV DESC: RELEASED |
| ▽ = 0 | INCH | NTS | |
| ▽ = 0 | GENERAL TOLERANCES (UNLESS SPECIFIED) | | |
| ▽ = 0 | ANGULAR TOL | ± 0.5° | |
| ▽ = 0 | 4 PLACES | ± | EC NO: 613683 |
| ▽ = 0 | 3 PLACES | ± 0.005 | DRWN: ABABU01 2018/11/13 |
| ▽ = 0 | 2 PLACES | ± 0.01 | CHK'D: DNGUYEN62 2019/03/15 |
| ▽ = 0 | 1 PLACE | ± 0.02 | APPR: HKNEELAND 2019/03/21 |
| ▽ = 0 | 0 PLACES | ± | INITIAL REVISION: |
| ▽ = 0 | DRAFT WHERE APPLICABLE MUST REMAIN WITHIN DIMENSIONS | | DRWN: ABABU01 2018/11/13 |
| ▽ = 0 | THIRD ANGLE PROJECTION | | APPR: HKNEELAND 2019/03/21 |
| | DRAWING | SERIES | DOCUMENT NUMBER |
| | C-SIZE | 130146 | 1301460203 |
| | MATERIAL NUMBER | CUSTOMER | DOC TYPE DOC PART REVISION |
| | SEE TABLE | GENERAL MARKET | PSD 000 A |
| | SHEET NUMBER | | 1 OF 1 |