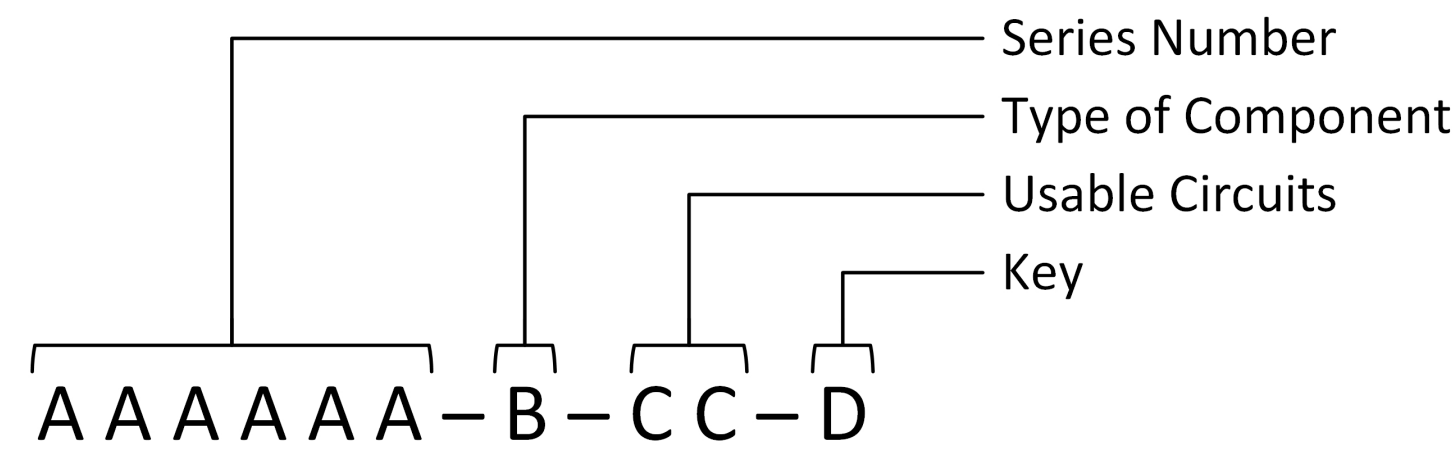


# CONNTAK50 DUAL ROW VERTICAL SMT HEADERS

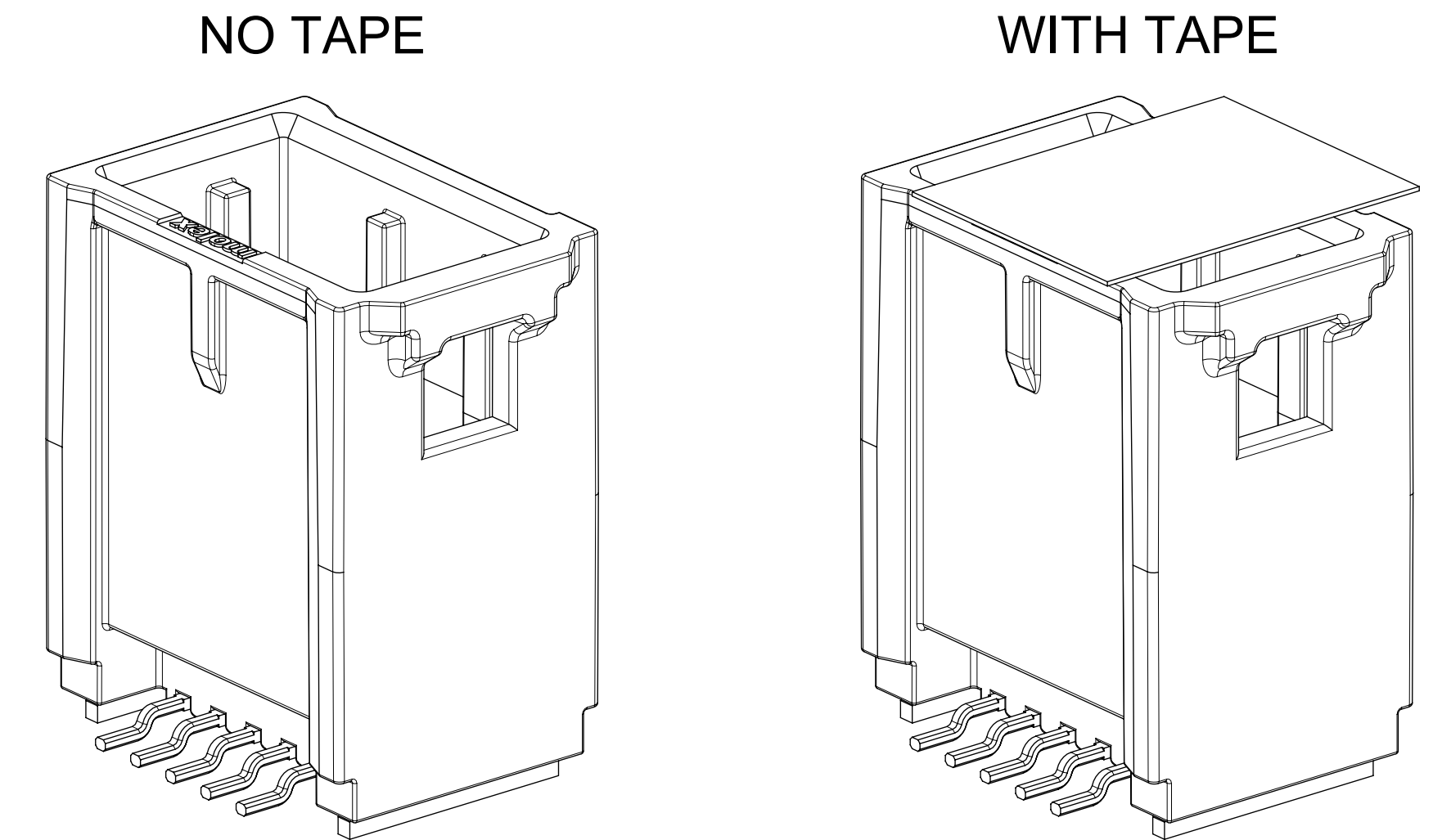
## 10CKT HEADER:



### PART NUMBER EXAMPLE:

PN 2069573101  
 206957 - SERIES NUMBER: DUAL ROW VERTICAL SMT HEADER - STANDARD PERFORMANCE  
 3 - TYPE OF COMPONENT: STANDARD MATERIAL; FULLY POPULATED, WITH TAPE  
 10 - 10 USABLE CIRCUITS  
 1 - KEY A

FINAL PART: 10CKT DUAL ROW VERTICAL STANDARD PERFORMANCE SMT HEADER - KEY A



	SERIES NUMBERS (AAAAA)	TYPE OF COMPONENT (B)	USABLE CIRCUITS (CC)	KEY (D)
MATING COMPONENT	205825 - RECEPTACLE	2 - STD MATL; FULLY POPULATED; NO TAPE 3 - STD MATL; FULLY POPULATED; WITH TAPE 4 - STD MATL; LAST 2 CKTS UNPOPULATED; NO TAPE 5 - STD MATL; LAST 2 CKTS UNPOPULATED; WITH TAPE	02 - 2 Circuits ... 22 - 22 Circuits	1 - KEY A 2 - KEY B 3 - KEY C 4 - KEY D
ON DRAWING	206957 - DR HB VERTICAL STANDARD PERFORMANCE SMT HEADER 208036 - DR V0 VERTICAL STANDARD PERFORMANCE SMT HEADER			
OTHER	206958 - DR RIGHT ANGLE SMT HEADER - STANDARD PERF.			

INTERFACE	INTERFACE CKT SIZE	STANDARD HB MATERIAL SMT HEADER										TOOLING STATUS				
		FULLY POPULATED					2 CKTS UNPOPULATED									
		NO TAPE		WITH TAPE			NO TAPE		WITH TAPE							
		DIM A	DIM B	DIM C	DIM D	DIM F	KEY	COLOR	PART NUMBER	USABLE CKTS	PART NUMBER	USABLE CKTS	PART NUMBER	USABLE CKTS	PART NUMBER	USABLE CKTS
	10	2.90	6.46	15.10	7.21	4.30	A, B, C, D	BLACK, NATURAL, BLUE, VIOLET	2069572101, 2069572102, 2069572103, 2069572104	10	2069573101, 2069573102, 2069573103, 2069573104	10	2069574081, 2069574082, 2069574083, 2069574084	8	2069575081, 2069575082, 2069575083, 2069575084	8

INTERFACE	INTERFACE CKT SIZE	V0 MATERIAL SMT HEADER										TOOLING STATUS				
		FULLY POPULATED					2 CKTS UNPOPULATED									
		NO TAPE		WITH TAPE			NO TAPE		WITH TAPE							
		DIM A	DIM B	DIM C	DIM D	DIM F	KEY	COLOR	PART NUMBER	USABLE CKTS	PART NUMBER	USABLE CKTS	PART NUMBER	USABLE CKTS	PART NUMBER	USABLE CKTS
	4	0.20	3.76	9.70	6.51	1.60	A, B, C, D	BLACK, NATURAL, BLUE, VIOLET	2080362041, 2080362042, 2080362043, 2080362044	4	2080363041, 2080363042, 2080363043, 2080363044	4	2080364021, 2080364022, 2080364023, 2080364024	2	2080365021, 2080365022, 2080365023, 2080365024	2

INTERFACE	INTERFACE CKT SIZE	V0 MATERIAL SMT HEADER										TOOLING STATUS				
		FULLY POPULATED					2 CKTS UNPOPULATED									
		NO TAPE		WITH TAPE			NO TAPE		WITH TAPE							
		DIM A	DIM B	DIM C	DIM D	DIM F	KEY	COLOR	PART NUMBER	USABLE CKTS	PART NUMBER	USABLE CKTS	PART NUMBER	USABLE CKTS	PART NUMBER	USABLE CKTS
	6	1.10	4.66	11.50	5.41	2.50	A, B, C, D	BLACK, NATURAL, BLUE, VIOLET	2080362061, 2080362062, 2080362063, 2080362064	6	2080363061, 2080363062, 2080363063, 2080363064	6	2080364041, 2080364042, 2080364043, 2080364044	4	2080365041, 2080365042, 2080365043, 2080365044	4
	8	2.00	5.56	13.30	6.31	3.40	A, B, C, D	BLACK, NATURAL, BLUE, VIOLET	2080362081, 2080362082, 2080362083, 2080362084	8	2080363081, 2080363082, 2080363083, 2080363084	8	2080364061, 2080364062, 2080364063, 2080364064	6	2080365061, 2080365062, 2080365063, 2080365064	6
	10	2.90	6.46	15.10	7.21	4.30	A, B, C, D	BLACK, NATURAL, BLUE, VIOLET	2080362101, 2080362102, 2080362103, 2080362104	10	2080363101, 2080363102, 2080363103, 2080363104	10	2080364081, 2080364082, 2080364083, 2080364084	8	2080365081, 2080365082, 2080365083, 2080365084	8
	12	3.80	7.36	16.90	8.11	5.20	A, B, C, D	BLACK, NATURAL, BLUE, VIOLET	2080362121, 2080362122, 2080362123, 2080362124	12	2080363121, 2080363122, 2080363123, 2080363124	12	2080364101, 2080364102, 2080364103, 2080364104	10	2080365101, 2080365102, 2080365103, 2080365104	10
	14	4.70	8.26	18.70	9.01	6.10	A, B, C, D	BLACK, NATURAL, BLUE, VIOLET	2080362141, 2080362142, 2080362143, 2080362144	14	2080363141, 2080363142, 2080363143, 2080363144	14	2080364121, 2080364122, 2080364123, 2080364124	12	2080365121, 2080365122, 2080365123, 2080365124	12
	16	5.60	9.16	20.50	9.91	7.00	A, B, C, D	BLACK, NATURAL, BLUE, VIOLET	2080362161, 2080362162, 2080362163, 2080362164	16	2080363161, 2080363162, 2080363163, 2080363164	16	2080364141, 2080364142, 2080364143, 2080364144	14	2080365141, 2080365142, 2080365143, 2080365144	14
	18	6.50	10.06	22.30	10.81	7.90	A, B, C, D	BLACK, NATURAL, BLUE, VIOLET	2080362181, 2080362182, 2080362183, 2080362184	18	2080363181, 2080363182, 2080363183, 2080363184	18	2080364161, 2080364162, 2080364163, 2080364164	16	2080365161, 2080365162, 2080365163, 2080365164	16
	20	7.40	10.96	24.10	11.71	8.80	A, B, C, D	BLACK, NATURAL, BLUE, VIOLET	2080362201, 2080362202, 2080362203, 2080362204	20	2080363201, 2080363202, 2080363203, 2080363204	20	2080364181, 2080364182, 2080364183, 2080364184	18	2080365181, 2080365182, 2080365183, 2080365184	18
	22	8.30	11.86	25.90	12.61	9.70	A, B, C, D	BLACK, NATURAL, BLUE, VIOLET	2080362221, 2080362222, 2080362223, 2080362224	22	2080363221, 2080363222, 2080363223, 2080363224	22	2080364201, 2080364202, 2080364203, 2080364204	20	2080365201, 2080365202, 2080365203, 2080365204	20

### NOTES:

VALID UNLESS OTHERWISE SPECIFIED

- GENERAL:
  - APPLICATION SPECIFICATION SEE: 2046310000-AS
  - PRODUCT SPECIFICATION SEE: 2046310000-PS
  - PACKAGING SPECIFICATION PER MOLEX DRAWING: 2069579000
    - PACKAGING IS TAPE & REEL
  - COMPATIBLE WITH STANDARD AK INTERFACE C-114-94000-20 REV A1
  - CONFORMS TO MOLEX AK INTERFACE 2046310001 REV A
    - MOLEX AK INTERFACE IS PART OF PPAP
  - CIRCUITS DO NOT CONTAIN PINS IN "2 CKTS UNPOPULATED" HEADER VERSION
  - TRACEABILITY TO BE MARKED IN AREA SHOWN. MARK IS CODED AS FOLLOWS:
    - ROW 1 ("XXXXXX"):
      - "XXXXXX" IS MOLEX SMT HEADER SERIES NUMBER
    - ROW 2 ("YYYY PZ"):
      - "YYYY" IS PART SUFFIX (LAST 4 DIGITS OF PART NUMBER)
      - "P" IS PERFORMANCE MARK. SEE BOM TABLE FOR MARKING CODE
      - "Z" IS ASSEMBLY LINE NUMBER
    - ROW 3 ("HHDDYY"):
      - 1ST & 2ND DIGITS ("HH"): HOUR OF ASSEMBLY (24 HOUR CLOCK)
      - 3RD THRU 5TH DIGITS ("DDD"): JULIAN DATE (EXAMPLE: FEBRUARY 3RD -> "034")
      - 6TH & 7TH DIGITS ("YY"): LAST 2 DIGITS OF CALENDAR YEAR
- DESIGN - MATERIALS:
  - SHROUD (PLASTIC HOUSING): SEE BOM
  - PINS:
    - STANDARD PERFORMANCE PINS:
      - BASE MATERIAL: C26000 BRASS
      - UNDERPLATING (CONTACT REGION): NICKEL 1.0 - 1.8 µm
      - OVERPLATING (CONTACT REGION): MATTE TIN 1.0 - 3.0 µm
- DESIGN - GEOMETRY:
  - GEOMETRIC DIMENSIONS AND TOLERANCES PER ASME Y14.5M-2009

C3	UPDATED: VIEW ON PG 1 FOR PICKUP TAPE; BOM TABLES FOR V0 & HB MATERIAL; NOTE 2.1; POL B COLOR FROM GREY TO NATURAL
C2	UPDATED: DIM 7 TOLERANCE
C1	UPDATED: DIM 10

INSPECTION BALLOON LOG		C ADDED: DATUM G; DIMENSIONAL INFO FOR ALL CIRCUIT SIZES; TRACEABILITY MARKING INFO; NOTE REFERENCING INTERFACE DRAWING; SOLDER NAIL REFERENCE DIMS; NEW NOTES 1.4, 1.5, 1.6, 1.7; NO CAP PART NUMBERS UPDATED: CHANGED CAP / NO CAP PART NUMBERS; PCB LAYOUT; PAGE 2 LAYOUT; NOTE 2.2 FORMAT; DIMENSION NUMBERS REMOVED: SEVERAL DIMS; DATUM A, B, & C CALLOUTS (SEE INTERFACE DRAWING); DATUM D, E, & F; OLD NOTES 1.4, 1.5, 1.6, 1.7, 3.1, 3.3, 3.4, 3.5, 3.6, 3.7; TUBE PART NUMBERS ADDED BASE MATERIAL IN SECTION 2.2; ADDED BALLON NUMBERS 1-13; UPDATED VIEW FOR LATCH IMPROVEMENT ON 10CKT; UPDATED NOTES 1.1, 1.2, & 1.3
PER DRAWING REVISION: C3	TOTAL BALLOONS: 11	
ADDED BALLOON NUMBERS:	B1	
REMOVED BALLOON NUMBERS:	REV	
THIS DRAWING CONTAINS INFORMATION THAT IS PROPRIETARY TO MOLEX ELECTRONIC TECHNOLOGIES, LLC AND SHOULD NOT BE USED WITHOUT WRITTEN PERMISSION		
DIMENSION UNITS	SCALE	CURRENT REV DESC:
mm	5:1	
GENERAL TOLERANCES (UNLESS SPECIFIED)		
ANGULAR TOL	± °	
4 PLACES	±	EC NO: 672688
3 PLACES	±	DRWN: KHEWITT 2021/05/12
2 PLACES	±	CHK'D: VBALASUBRAMA 2021/08/09
1 PLACE	±	APPR: JDUNAJ 2021/08/09
0 PLACES	±	INITIAL REVISION:
		DRWN: ECOLARUSSO 2018/02/23
		APPR: JDUNAJ 2018/03/14
DRAFT WHERE APPLICABLE MUST REMAIN WITHIN DIMENSIONS	THIRD ANGLE PROJECTION	DRAWING
		SERIES
		MATERIAL NUMBER
		CUSTOMER
		SHEET NUMBER
DOCUMENT STATUS	P1	RELEASE DATE
		2021/08/09 15:18:47
PERFORMANCE MARK: S		

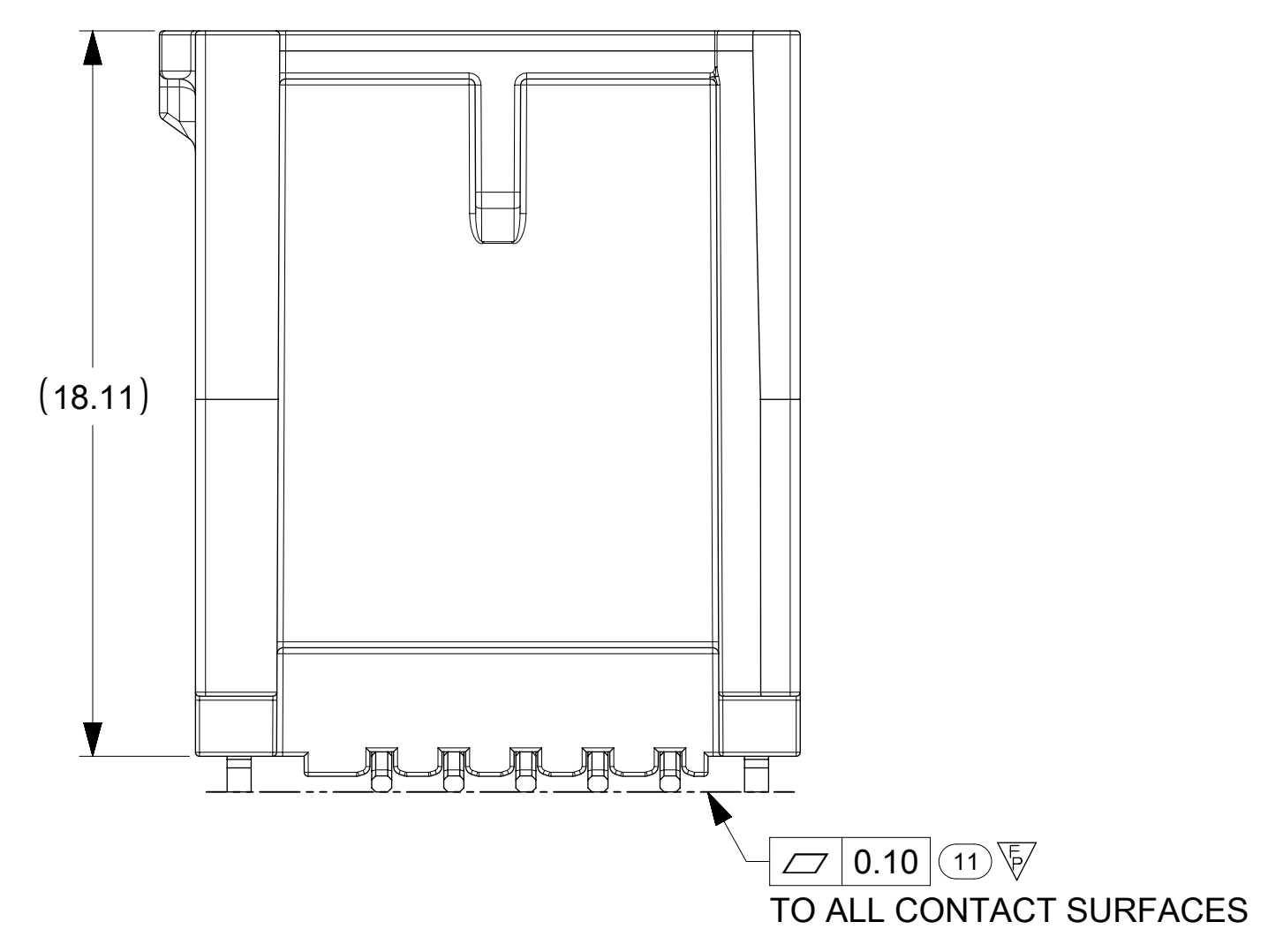
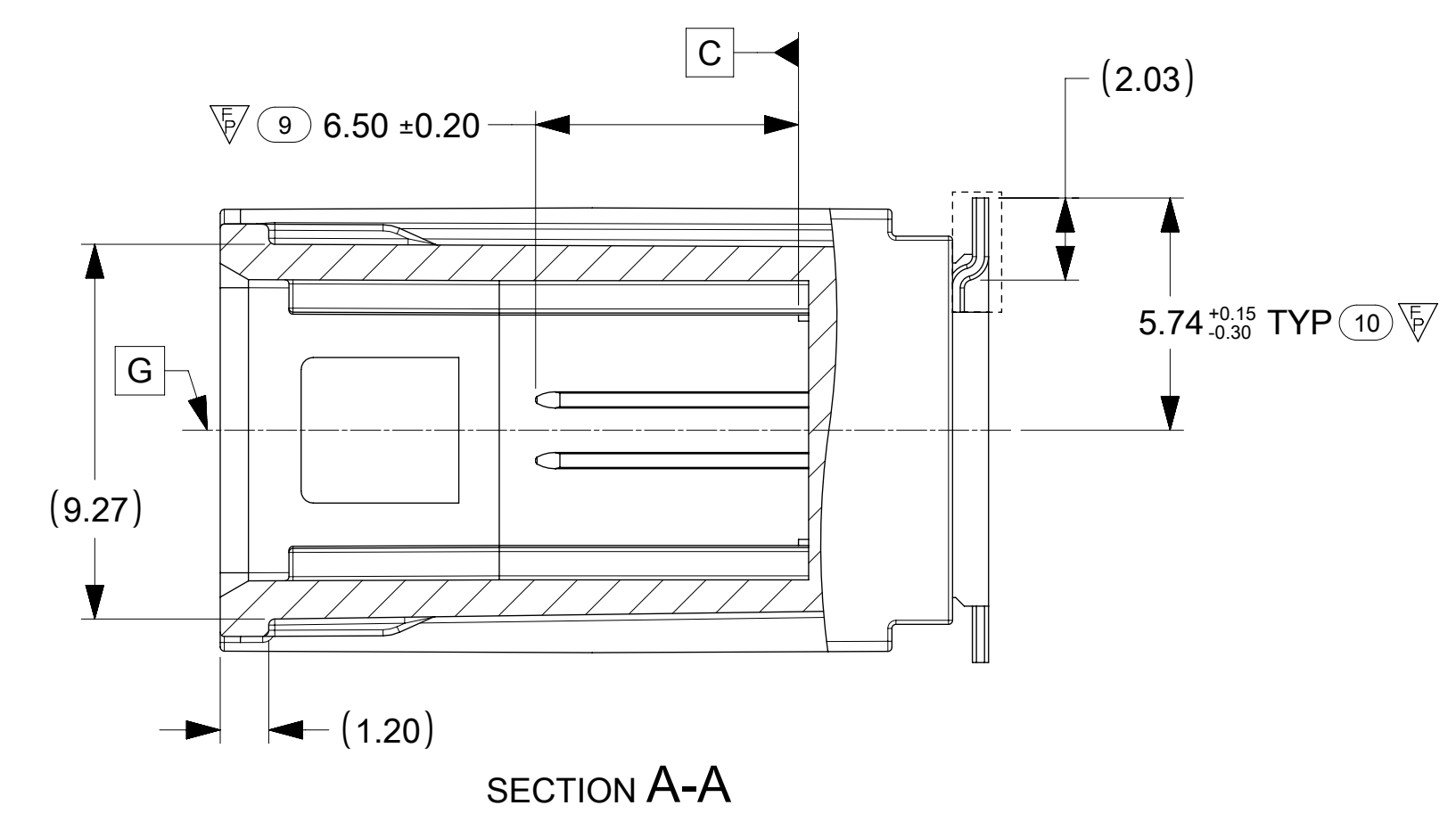
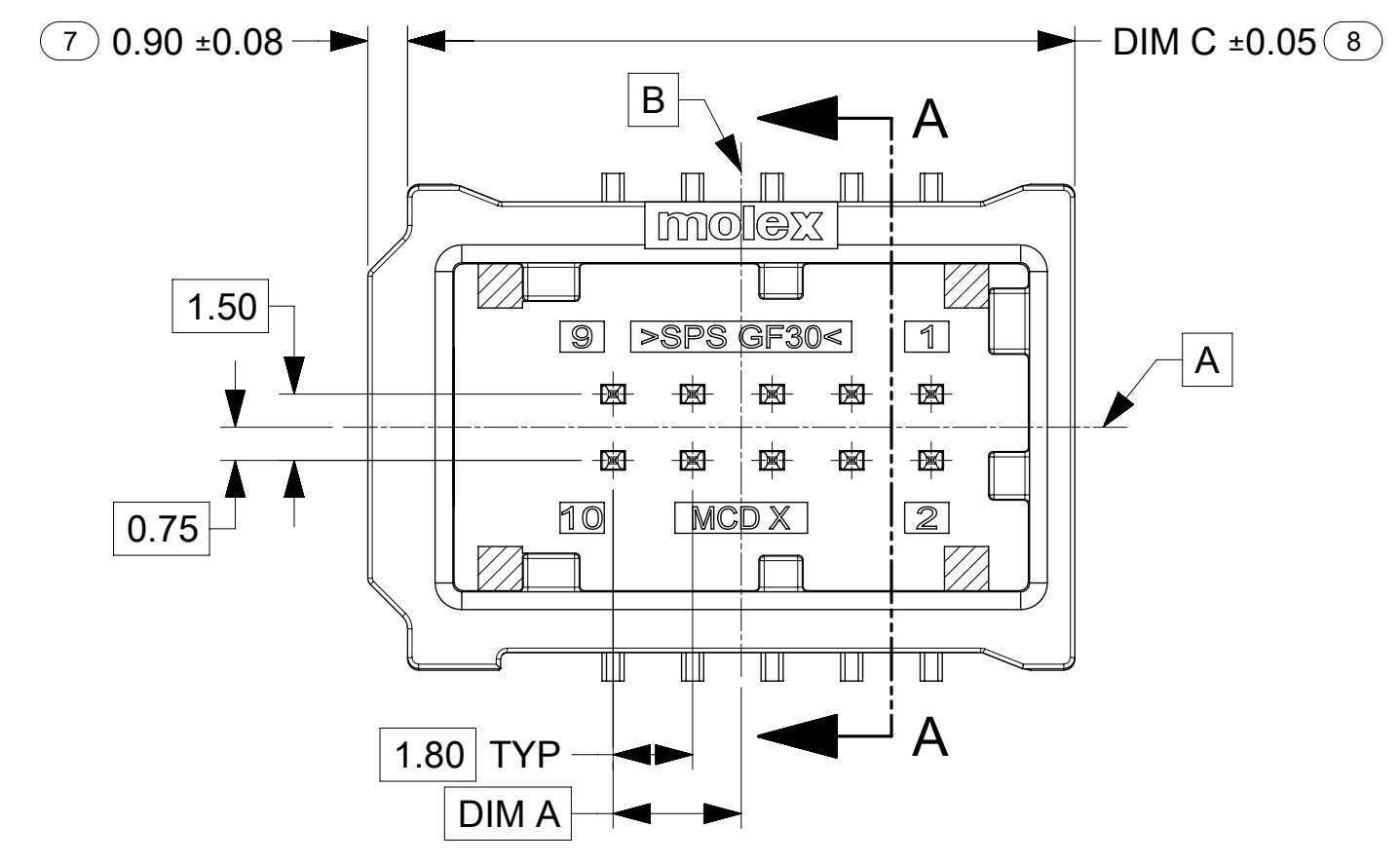
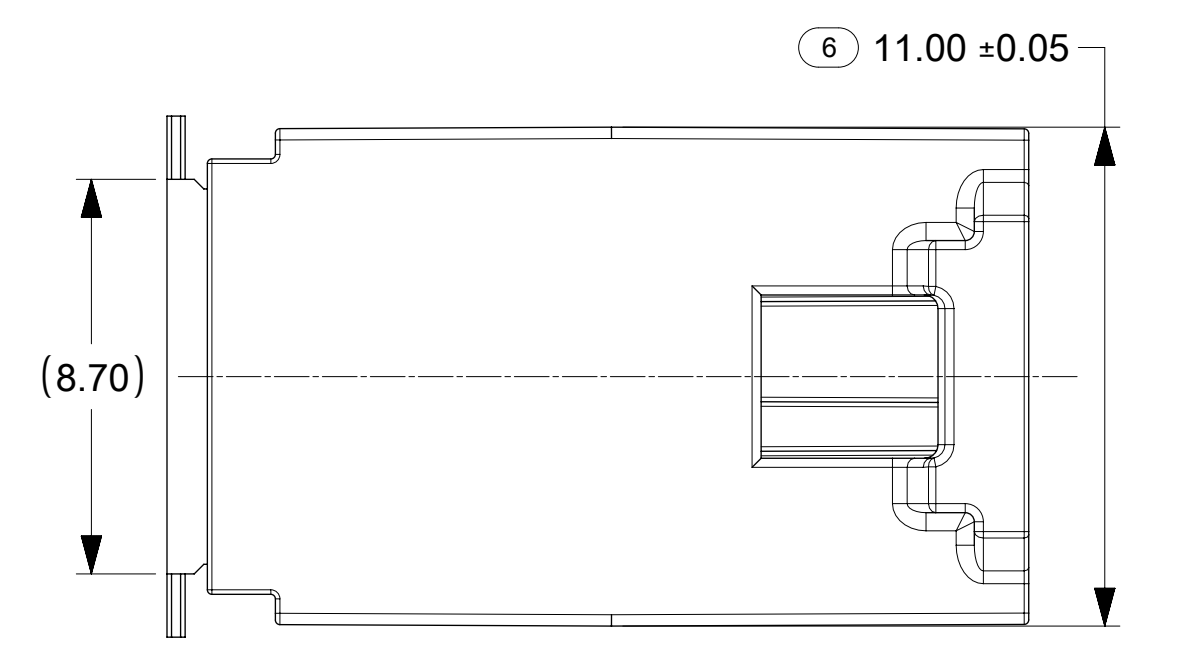
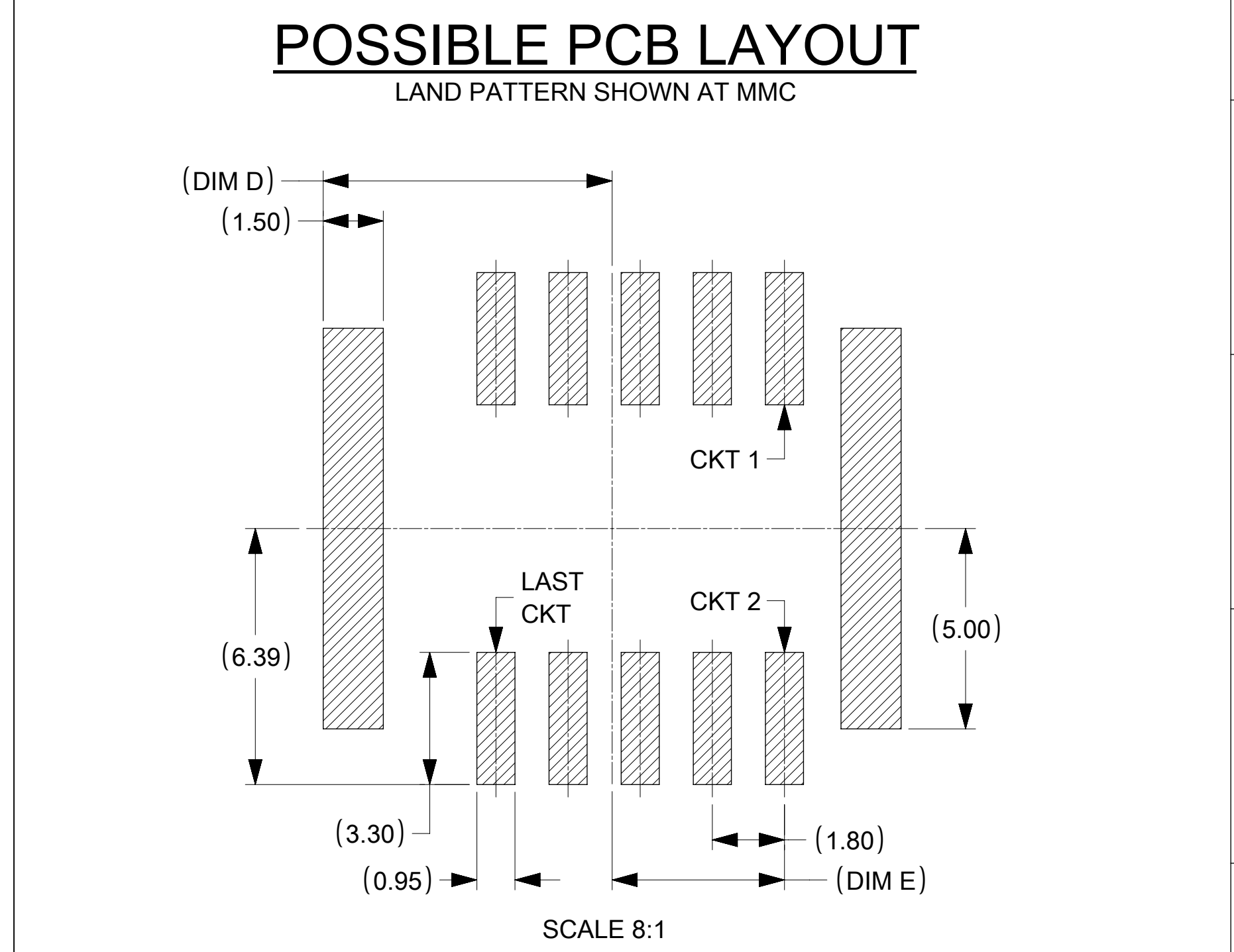
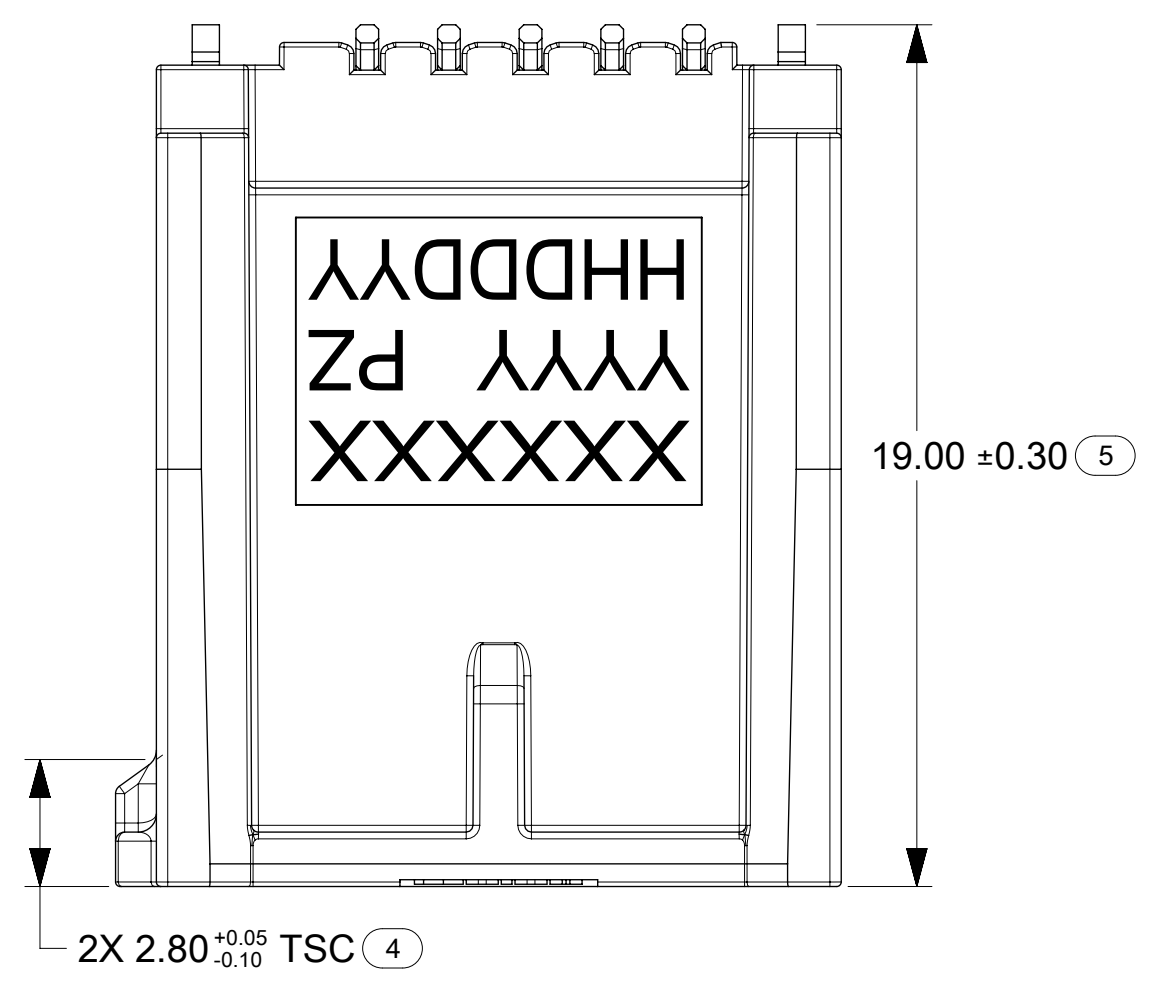
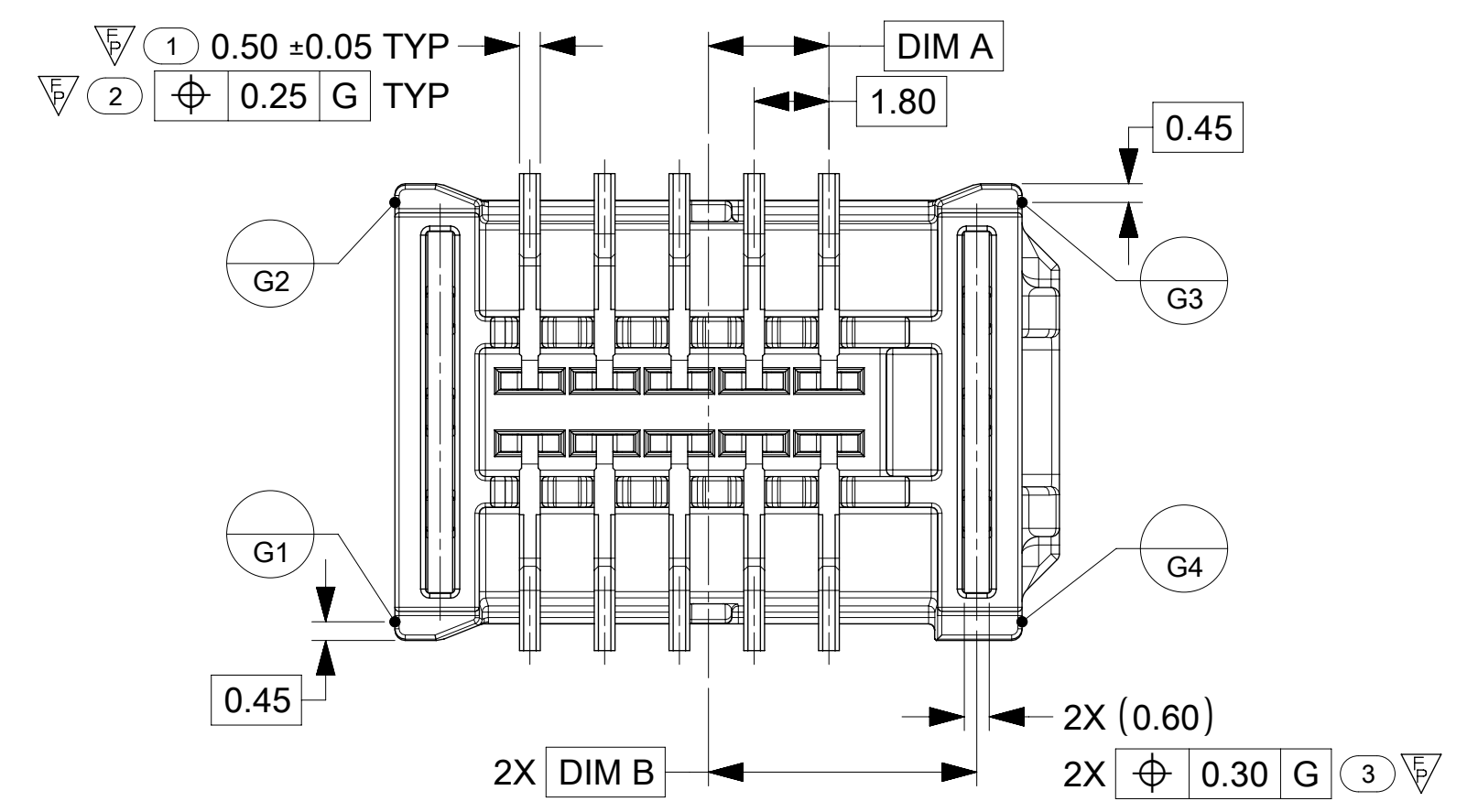
CONNTAK50 DR VERTICAL SMT HEADER

PRODUCT CUSTOMER DRAWING

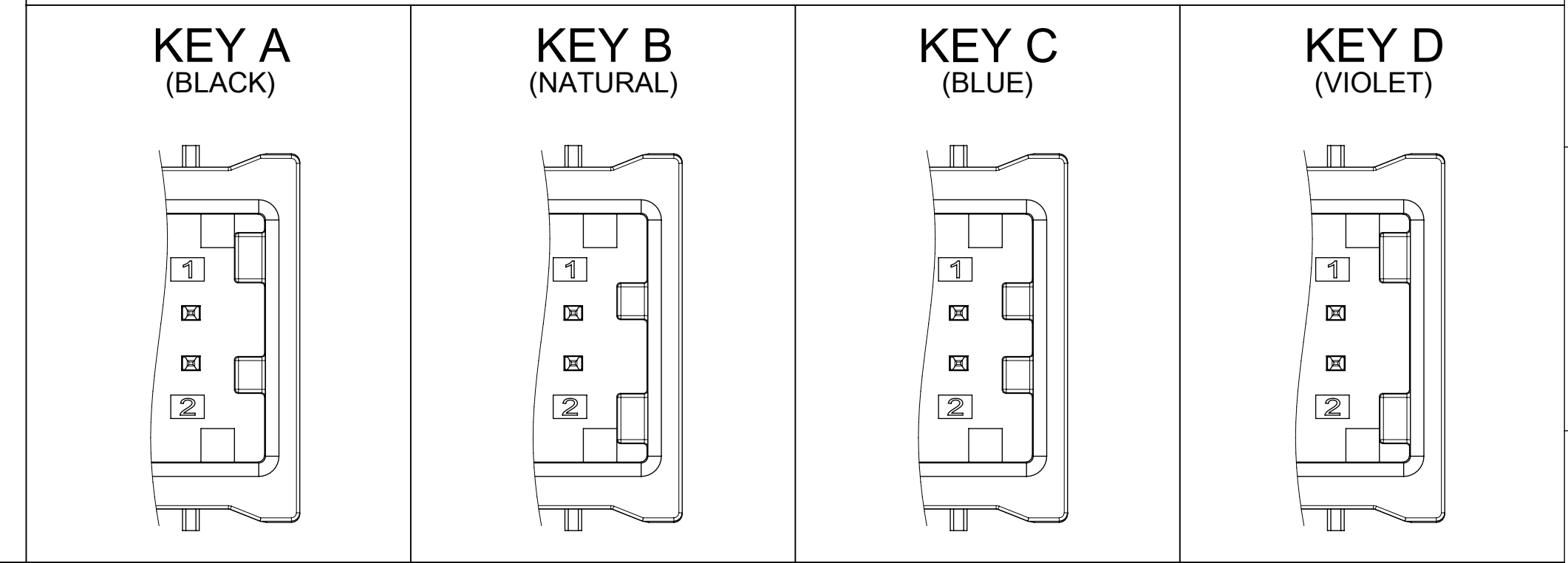
DOCUMENT NUMBER: 2057260003 PSD 000 C3

DRAWING: D-SIZE 205726 SEE TABLE GENERAL MARKET 1 OF 2

10CKT KEY A (2069572101) SHOWN EXCEPT WHERE NOTED  
 REFER TO 2046310002 FOR INTERFACE DIMENSIONS



KEYING OPTIONS



**2 CKTS UNPOPULATED**  
 8CKT HEADER WITH 2 CKTS UNPOPULATED (10CKT INTERFACE) SHOWN  
 PART NUMBER: 2069584081

THIS DRAWING CONTAINS INFORMATION THAT IS PROPRIETARY TO MOLEX ELECTRONIC TECHNOLOGIES, LLC AND SHOULD NOT BE USED WITHOUT WRITTEN PERMISSION			
DIMENSION UNITS <b>mm</b>	SCALE <b>6:1</b>	CURRENT REV DESC:	
GENERAL TOLERANCES (UNLESS SPECIFIED)		molex	
ANGULAR TOL ± °	4 PLACES ±	CONNTAK50 DR VERTICAL SMT HEADER	
3 PLACES ±	2 PLACES ±	PRODUCT CUSTOMER DRAWING	
1 PLACE ±	0 PLACES ±	DOCUMENT NUMBER <b>2057260003</b>	DOC TYPE DOC PART REVISION PSD 000 C3
DRAFT WHERE APPLICABLE MUST REMAIN WITHIN DIMENSIONS	THIRD ANGLE PROJECTION	SERIES <b>205726</b>	SHEET NUMBER 2 OF 2
EC NO: 672688 DRWN: KHEWITT CHK'D: VBALASUBRAMA APPR: JDUNAJ		MATERIAL NUMBER GENERAL MARKET	
INITIAL REVISION: DRWN: ECOLARUSSO APPR: JDUNAJ		CUSTOMER	
2021/05/12 2021/08/09 2021/08/09		2018/02/23 2018/03/14	

DOCUMENT STATUS	P1	RELEASE DATE	2021/08/09 15:18:47
-----------------	----	--------------	---------------------