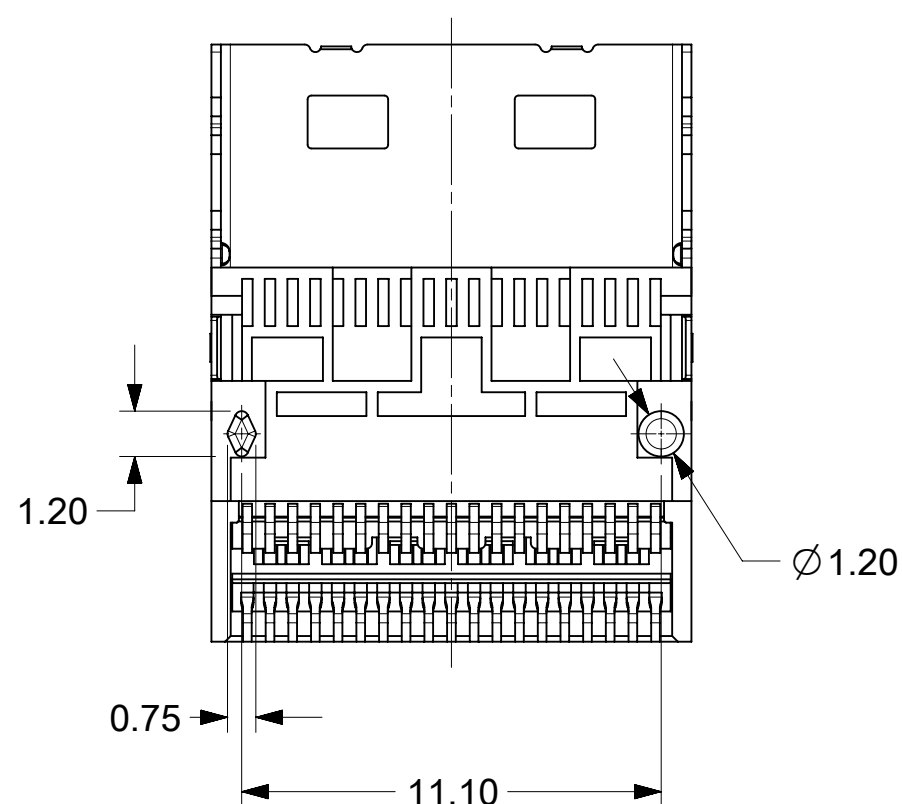
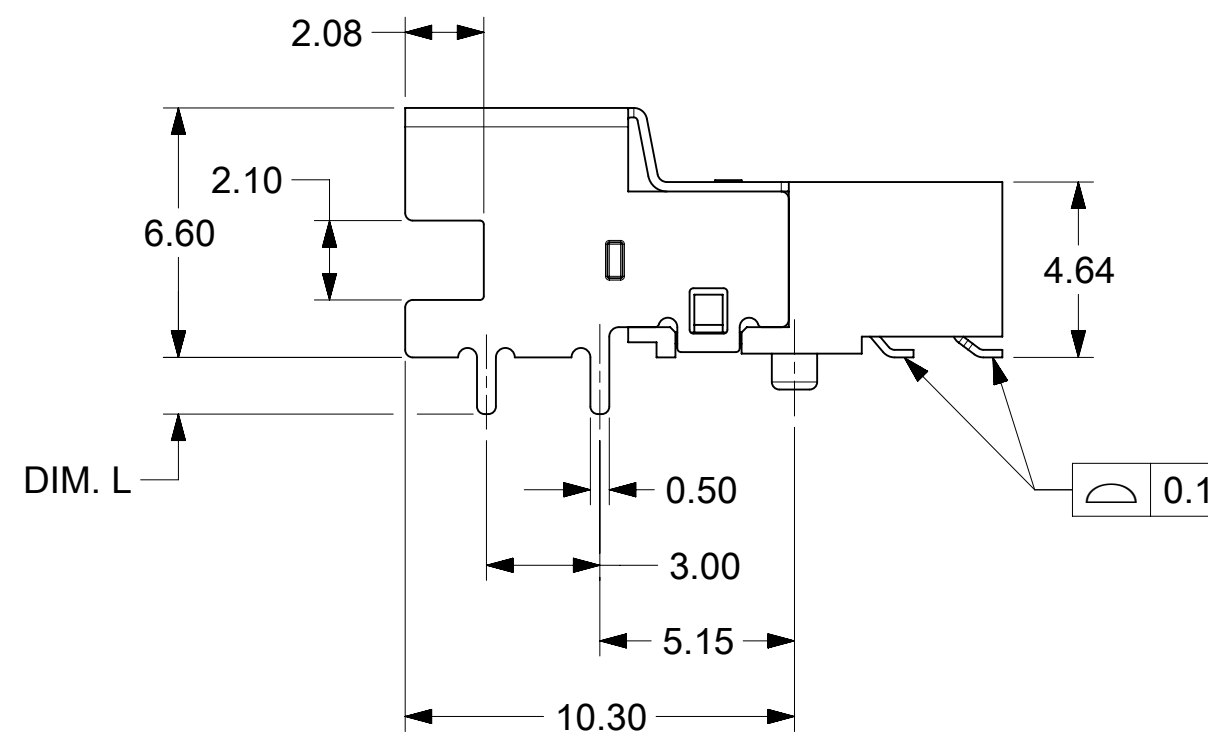
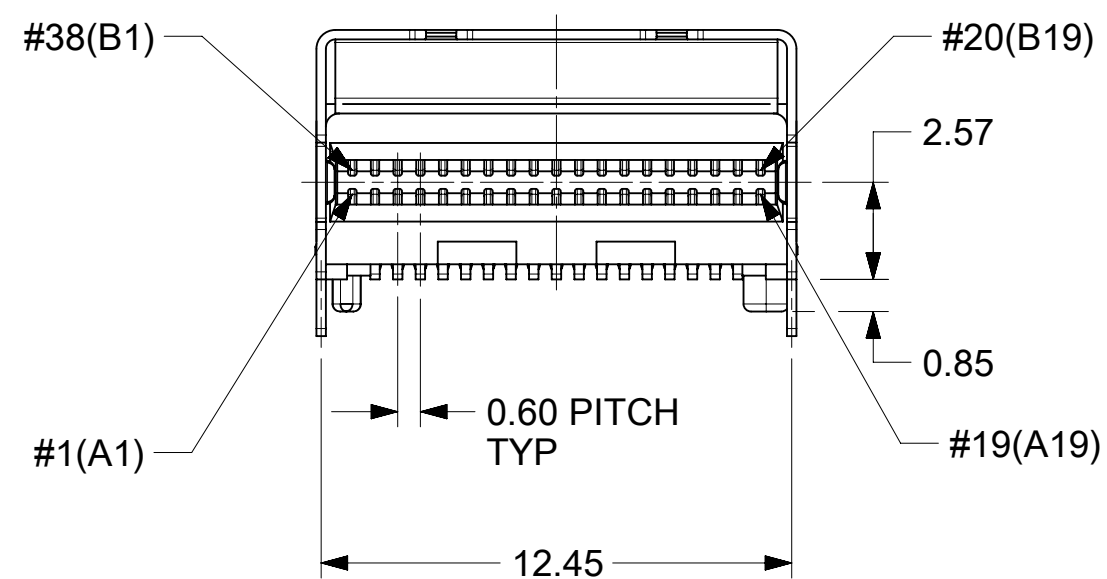


- NOTE:
- MATERIAL:
HOUSING : LCP, UL94-V0, BLACK COLOR
INSERT MOLD: LCP, UL94-V0, BLACK COLOR
CONTACT: COPPER ALLOY
GROUND: COPPER ALLOY
SHELL: NICKEL SILVER
 - FINISH:
CONTACT:
GOLD PLATING (SEE TABLE) ON CONTACT AREA
100u" MIN. MATTE TIN PLATING ON SOLDERTAIL
50u" MIN. NICKEL UNDER PLATING OVERALL
GROUND:
50u" MIN. NICKEL PLATING OVERALL
 - SOLDERTAILS COPLANARITY TO BE 0.1 MAXIMUM.
 - ROHS COMPLIANT



0.375[15u"]	4.2	2119664108
	3.0	2119664107
	2.2	2119664106
0.75um[30u"]	1.5	2119664105
	4.2	2119664104
	3.0	2119664103
	2.2	2119664102
	1.5	2119664101
GOLD PLATING	DIM. L	PART NUMBER

FUNCTIONAL SYMBOLS $\nabla_A = 0$ $\nabla_C = 0$ $\nabla_P = 0$	THIS DRAWING CONTAINS INFORMATION THAT IS PROPRIETARY TO MOLEX ELECTRONIC TECHNOLOGIES, LLC AND SHOULD NOT BE USED WITHOUT WRITTEN PERMISSION	SCALE	CURRENT REV DESC:		
	DIMENSION UNITS	5:1	EC NO: 690306		
	mm		DRWN: ETSENG 2021/12/27		
	GENERAL TOLERANCES (UNLESS SPECIFIED)		CHK'D: ETSENG 2021/12/30		
ANGULAR TOL	± °	APPR: VPENG01 2021/12/30			
4 PLACES	±	INITIAL REVISION:			
3 PLACES	± 0.15	DRWN: SHOU 2019/11/18			
2 PLACES	± 0.25	APPR: ETSENG 2020/02/17			
1 PLACE	± 0.35	THIRD ANGLE PROJECTION			
0 PLACES	±	DRAWING SERIES			
DRAFT WHERE APPLICABLE MUST REMAIN WITHIN DIMENSIONS		C-SIZE	211966	MATERIAL NUMBER	CUSTOMER
				SEE TABLE	
				DOCUMENT NUMBER	DOC TYPE DOC PART REVISION
				2119664101	PSD 000 D
				SHEET NUMBER	1 OF 2

molex

SLIMSAS 4X RIGHT ANGLE RECEPTACLE CONNECTOR, 100OHM

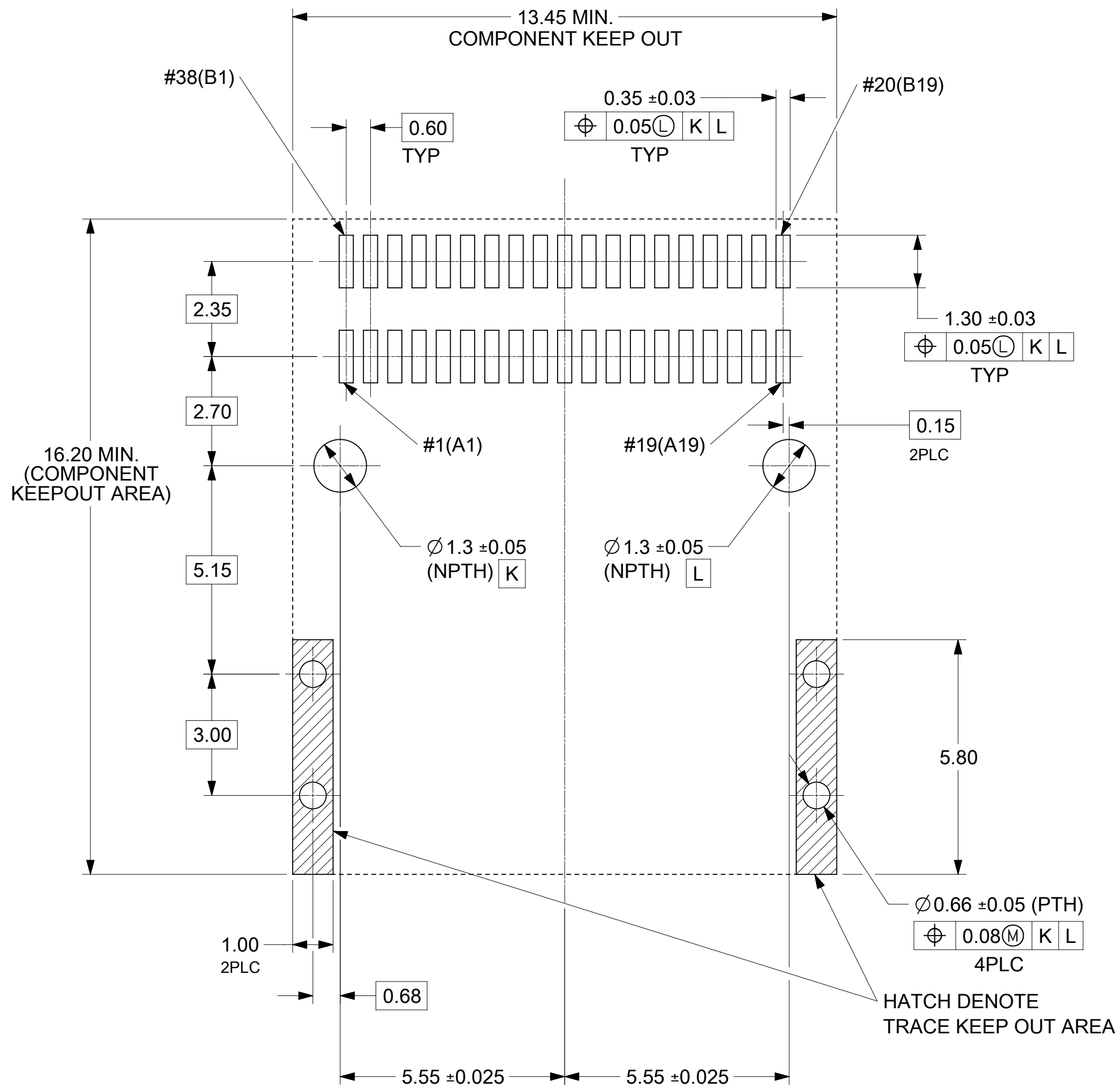
PRODUCT CUSTOMER DRAWING

DOCUMENT NUMBER | DOC TYPE | DOC PART | REVISION

2119664101 | PSD | 000 | D

MATERIAL NUMBER | CUSTOMER | SHEET NUMBER

SEE TABLE | | 1 OF 2



FUNCTIONAL SYMBOLS $\frac{F}{A} = 0$ $\frac{F}{C} = 0$ $\frac{F}{P} = 0$	THIS DRAWING CONTAINS INFORMATION THAT IS PROPRIETARY TO MOLEX ELECTRONIC TECHNOLOGIES, LLC AND SHOULD NOT BE USED WITHOUT WRITTEN PERMISSION		SCALE mm 10:1		CURRENT REV DESC:				
	GENERAL TOLERANCES (UNLESS SPECIFIED) ANGULAR TOL ± °		EC NO: 690306 DRWN: ETSENG 2021/12/27 CHK'D: ETSENG 2021/12/30 APPR: VPENG01 2021/12/30		SLIMSAS 4X RIGHT ANGLE RECEPTACLE CONNECTOR, 100OHM				
DIVISIONAL SYMBOLS 4 PLACES ± 3 PLACES ± 0.15 2 PLACES ± 0.25 1 PLACE ± 0.35 0 PLACES ±	DRAFT WHERE APPLICABLE MUST REMAIN WITHIN DIMENSIONS		THIRD ANGLE PROJECTION		DRAWING SERIES C-SIZE 211966		PRODUCT CUSTOMER DRAWING		
	MATERIAL NUMBER SEE TABLE		CUSTOMER		SHEET NUMBER 2 OF 2		DOCUMENT NUMBER 2119664101		DOC TYPE DOC PART REVISION PSD 000 D