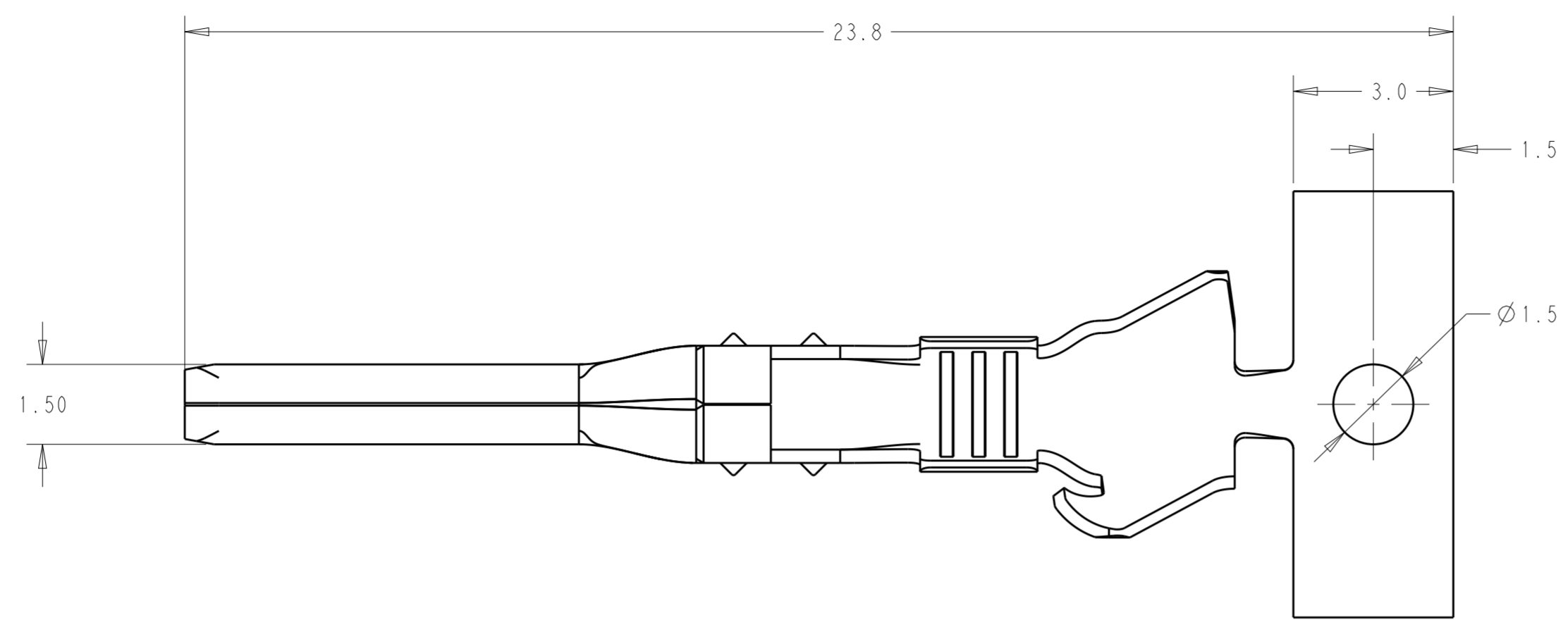
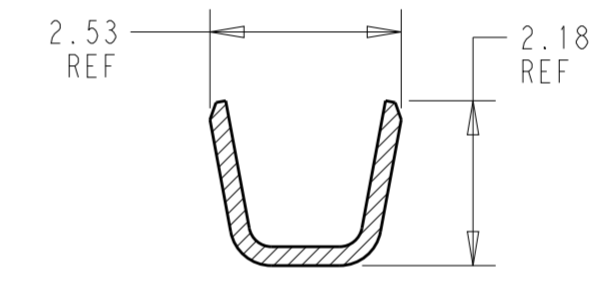
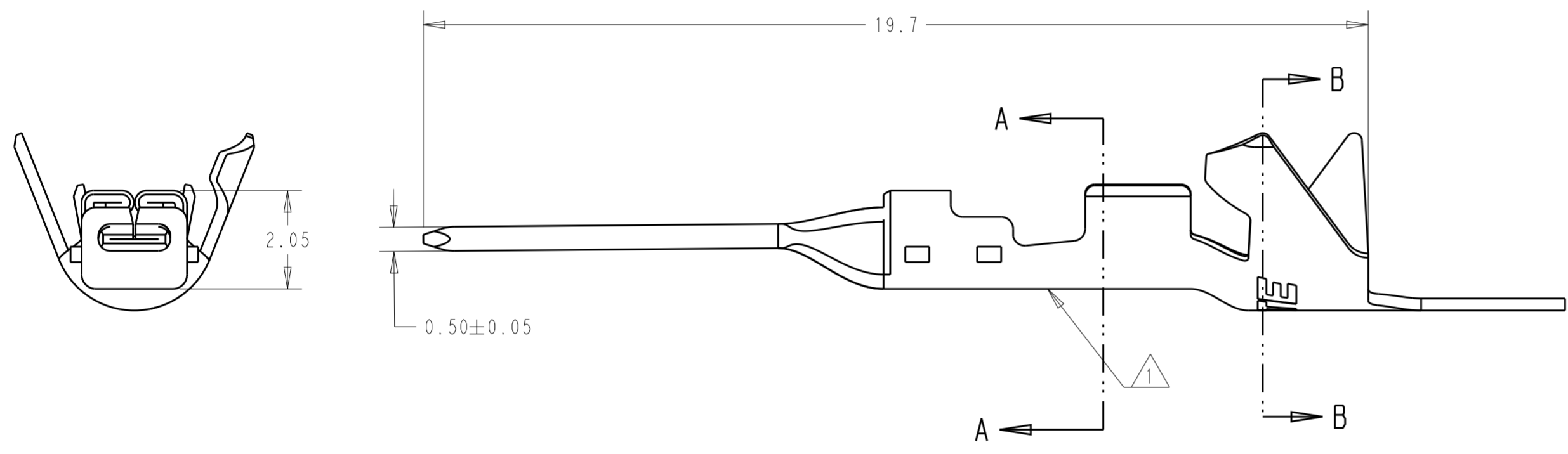


THIS DRAWING IS UNPUBLISHED. RELEASED FOR PUBLICATION 2017  
 © COPYRIGHT 2017 BY - TE CONNECTIVITY ALL RIGHTS RESERVED.

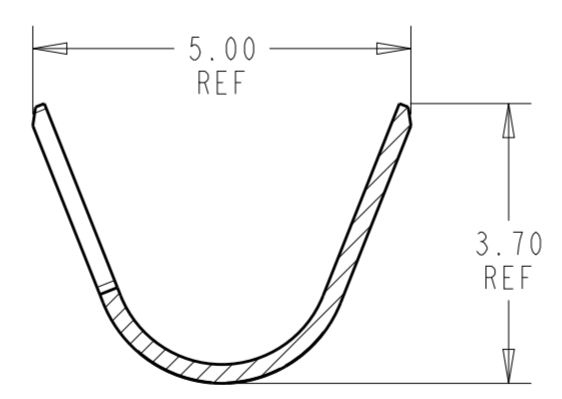
REVISIONS				
P	LTR	DESCRIPTION	DATE	APVD
A		RELEASED PER ECO-19-013549	04SEP2019	BKW GJ
A1		REVISED PER ECR-20-100211	06AUG2020	JP VS



- 1. MATERIAL MARK
- 2. WIRE: AWG 18-20 COPPER STRANDED
- 3. INSULATION DIA RANGE: 1.7~2.8mm
- 4. SUPPLIED CONTINUOUS ON REELS
- 5. PRELIMINARY - NOT FOR PRODUCTION



SECTION A-A



SECTION B-B

MO	HIGH CONDUCTIVE COPPER ALLOY	HIGH TEMP (140°C)	5 2329908-2
M1	BRASS	STANDARD TEMP (105°C)	2329908-1
MATERIAL MARK 1	MATERIAL	TEMPERATURE RATING	PART NUMBER

THIS DRAWING IS A CONTROLLED DOCUMENT.

DWN	26MAR2018	TE Connectivity	NAME POWER VERSA-LOCK TAB TERMINAL WIRE SEAL 18-20 AWG
CHK	BASAVARAJA D A		
APVD	26MAR2018		
C YI	S. FERNANDES		
DIMENSIONS:	TOLERANCES UNLESS OTHERWISE SPECIFIED:	PRODUCT SPEC	108-143081
mm	0 PLC ±	APPLICATION SPEC	114-143082
	1 PLC ±0.40	WEIGHT	-
	2 PLC ±0.30	SCALE	10:1
	3 PLC ±	SHEET	1 OF 1
	4 PLC ±	RESTRICTED TO	-
	ANGLES ±3°	REV	A1
MATERIAL	FINISH	CUSTOMER DRAWING	
SEE TABLE	PRE-PLATED Sn		