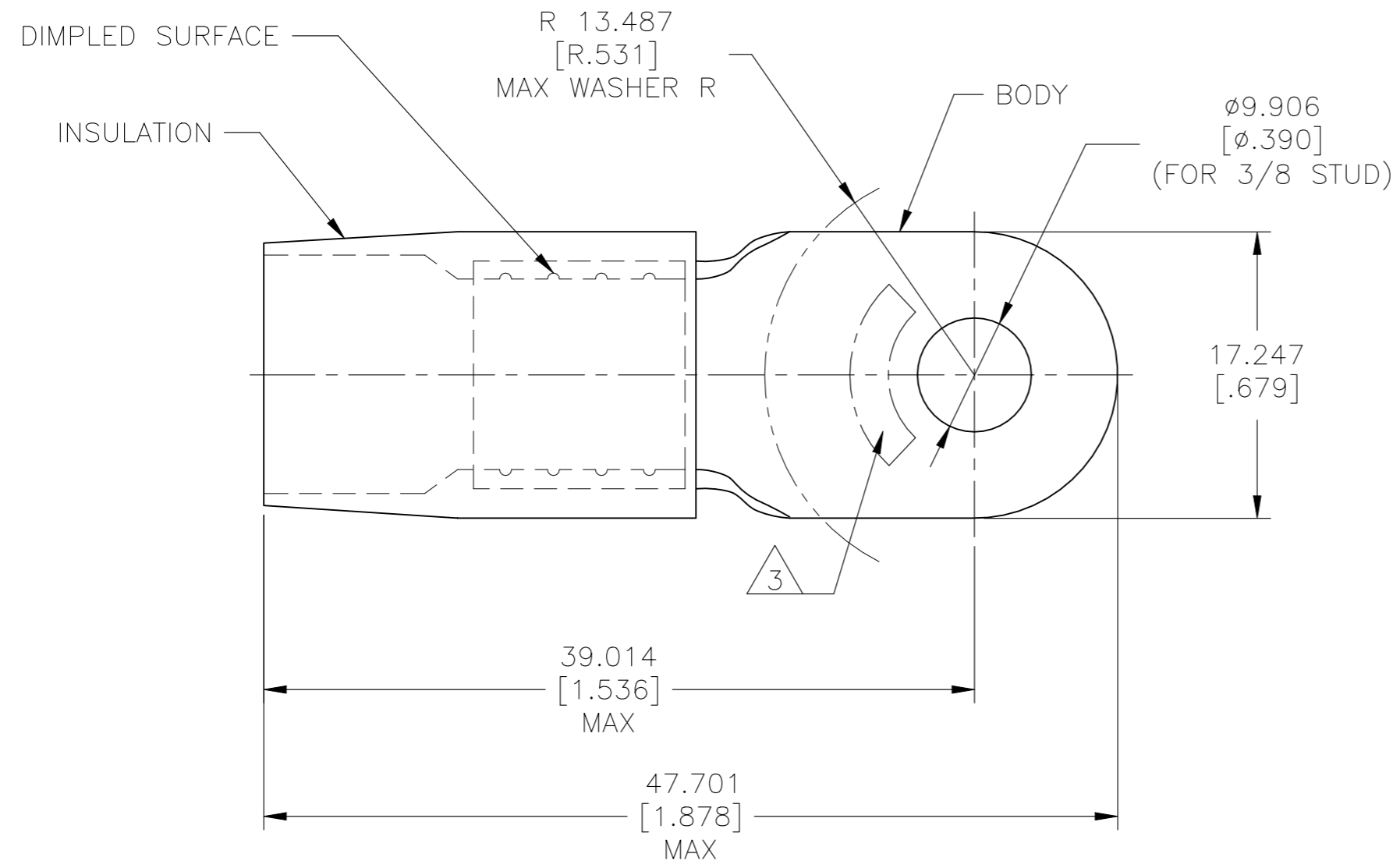
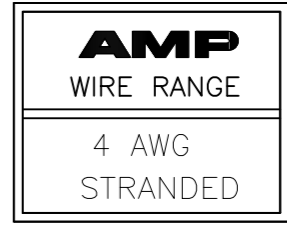


© - TE Connectivity. All Rights Reserved.

| REVISIONS | | | | |
|-----------|-----|---------------|-----------|--------|
| P | LTR | DESCRIPTION | DATE | APVD |
| | G2 | ECN-22-150900 | 27APR2022 | RK CSD |



- 1 BODY MATERIAL THK 1.219±0.051[.048±.002]
- 2 FOR Ø9.703[Ø.382] MAX WIRE INS.
- △ 3 STAMP AMP 4* APPROX AS SHOWN.

| | | |
|-----|--------------|---------|
| 100 | LOOSE PC | 324052 |
| QTY | PACKAGE TYPE | PART NO |

| | | | | | | | | | | |
|--|--|---|--|---|---|--|------------|--------------------|------------------------|-------------------------|
| AMP INCORPORATED CUSTOMER SERVICE SYSTEMS | | MAX RECOMMENDED OPERATING TEMPERATURE: 105°C[221°F] | THIS DRAWING IS A CONTROLLED DOCUMENT. | | DWN S.S. GOULDEN 6-18-93 | TE Connectivity NAME TERMINAL, RING TONGUE, TERMINYL WIRE SIZE: 4 AWG | | | | |
| FOR ADDITIONAL PRODUCT INFORMATION OR COPIES OF DRAWINGS AND TECHNICAL DOCUMENTS | PRODUCT INFORMATION CENTER 1-800-522-6752 | VOLTAGE RATING: - | DIMENSIONS: mm [INCHES] | TOLERANCES UNLESS OTHERWISE SPECIFIED: | CHK R. HERSEY 6-18-93 | | | | | APVD B. BARE 6-18-93 |
| FOR APPLICATION TOOLING INFORMATION | TOOLING ASSISTANCE CENTER 1-800-722-1111 | CIRCULAR MIL AREA: 16.8-26.7mm ² [33,100-52,600] STRANDED | | 0 PLC ± - 1 PLC ± - 2 PLC ± - 3 PLC ± 0.127[.005] 4 PLC ± - ANGLES ± - | PRODUCT SPEC - | APPLICATION SPEC - | | | | |
| FOR ORDER ENTRY | 1-800-526-5142 | THIS DRAWING IS A CONTROLLED DOCUMENT FOR AMP INCORPORATED. IT IS SUBJECT TO CHANGE AND THE CONTROLLING ENGINEERING ORGANIZATION SHOULD BE CONTACTED FOR THE LATEST REVISION. | | MATERIAL BODY: COPPER PER ASTM B-152 INSULATION: NYLON ASTM D4066 TYPE I | FINISH BODY: TIN PLATE PER ASTM B545 INSULATION: COLOR-YELLOW | WEIGHT - | SIZE A3 | CAGE CODE 00779 | DRAWING NO C-324052 | RESTRICTED TO - |
| CUSTOMER DRAWING | | | | | SCALE NTS | SHEET 1 OF 1 | REV G2 | | | |