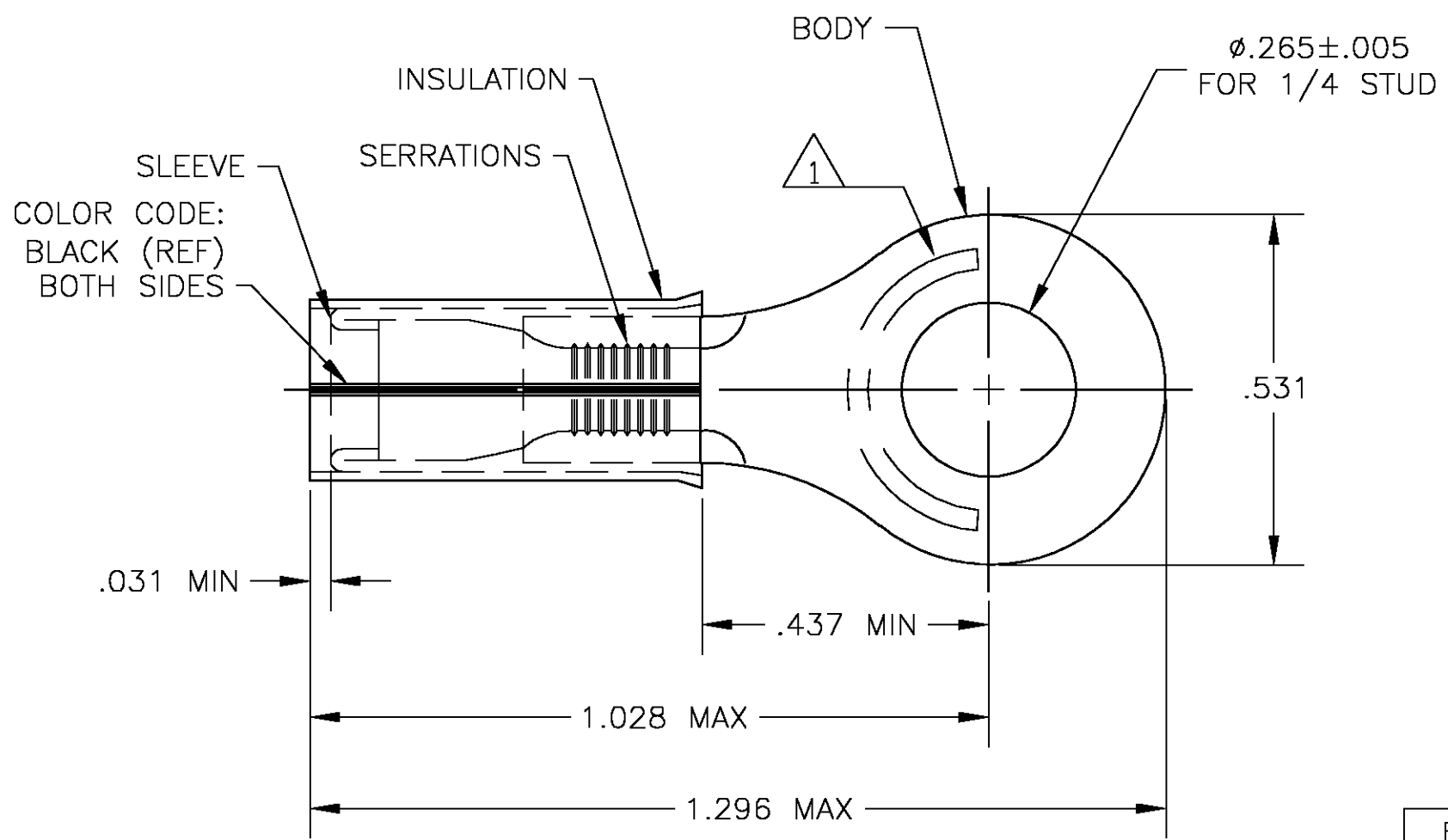


THIS DRAWING IS UNPUBLISHED. RELEASED FOR PUBLICATION
 © COPYRIGHT BY TYCO ELECTRONICS CORPORATION. ALL RIGHTS RESERVED.

LOC	DIST	REVISIONS					
		P	LTR	DESCRIPTION	DATE	DWN	APVD
G	14		C	REV PER 0G3A-0582-04	14SEP04	JR	TM

- 1 STAMP "AMP 16-14 HD*" LOCATED APPROX AS SHOWN.
- 2 TONGUE MATERIAL THK IS .050 MAX
- 3 FOR .230 MAX WIRE INSULATION DIA.



BODY & SLEEVE: COPPER PER ASTM B152 TIN LEAD (93-7) PLATE PER ASTM B545 (3% MIN LEAD CONTENT) INSULATION: PVF2, COLOR - NATURAL	53984-1
MATERIAL & FINISH	PART NO

THIS DRAWING IS A CONTROLLED DOCUMENT.		DWN jr_ruth 14SEP04	Tyco Electronics Corporation Harrisburg, PA 17105	
DIMENSIONS: INCHES	TOLERANCES UNLESS OTHERWISE SPECIFIED:	CHK T MICHIELUTTI 14SEP04	NAME	
	0 PLC ± -	APVD T MICHIELUTTI 14SEP04	WIRE TERMINAL	
	1 PLC ± -	PRODUCT SPEC	PVF2 - PIDG - RING TONGUE	
	2 PLC ± -	APPLICATION SPEC	WIRE SIZE : 16-14 HD	
	3 PLC ± .008	WEIGHT	SIZE	CAGE CODE
	4 PLC ± -		A3	00779
	ANGLES ± 5'		DRAWING NO	
MATERIAL	FINISH		C-53984	
		CUSTOMER DRAWING		RESTRICTED TO
		SCALE	SHEET	REV
		5:1	1 OF 1	C