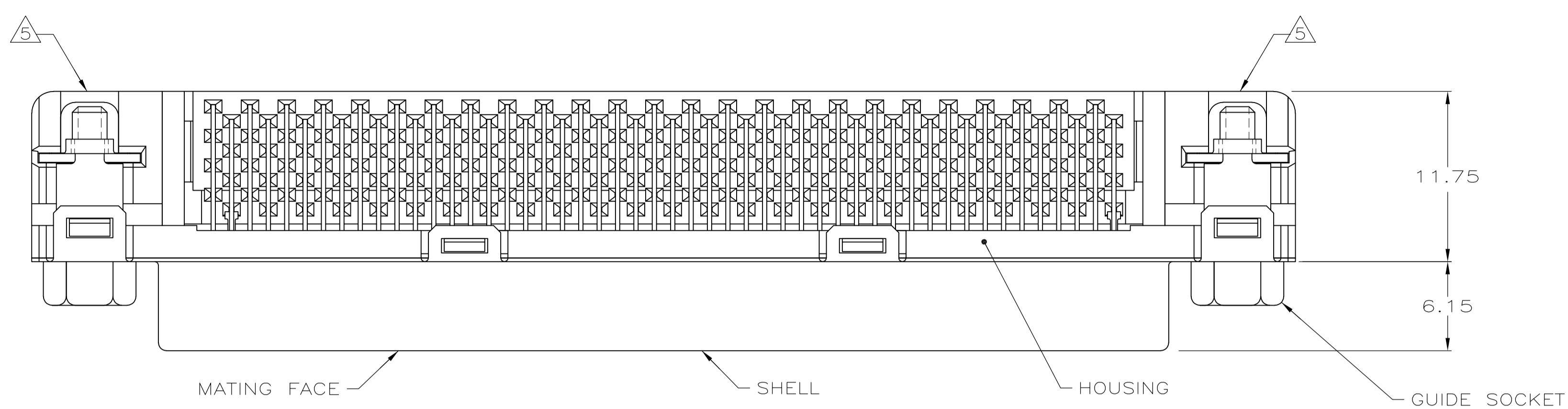
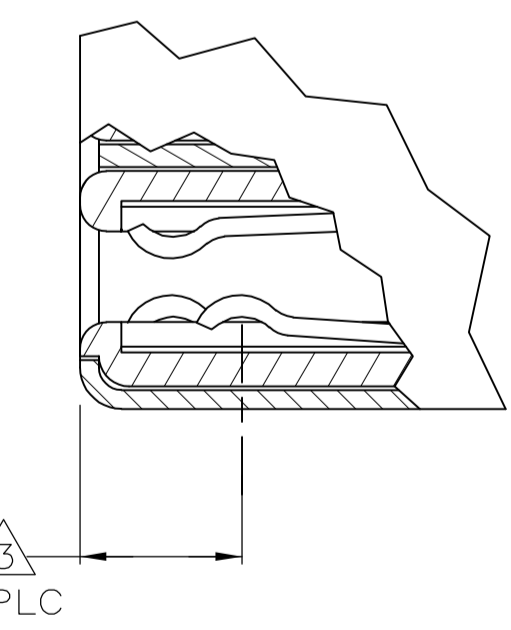
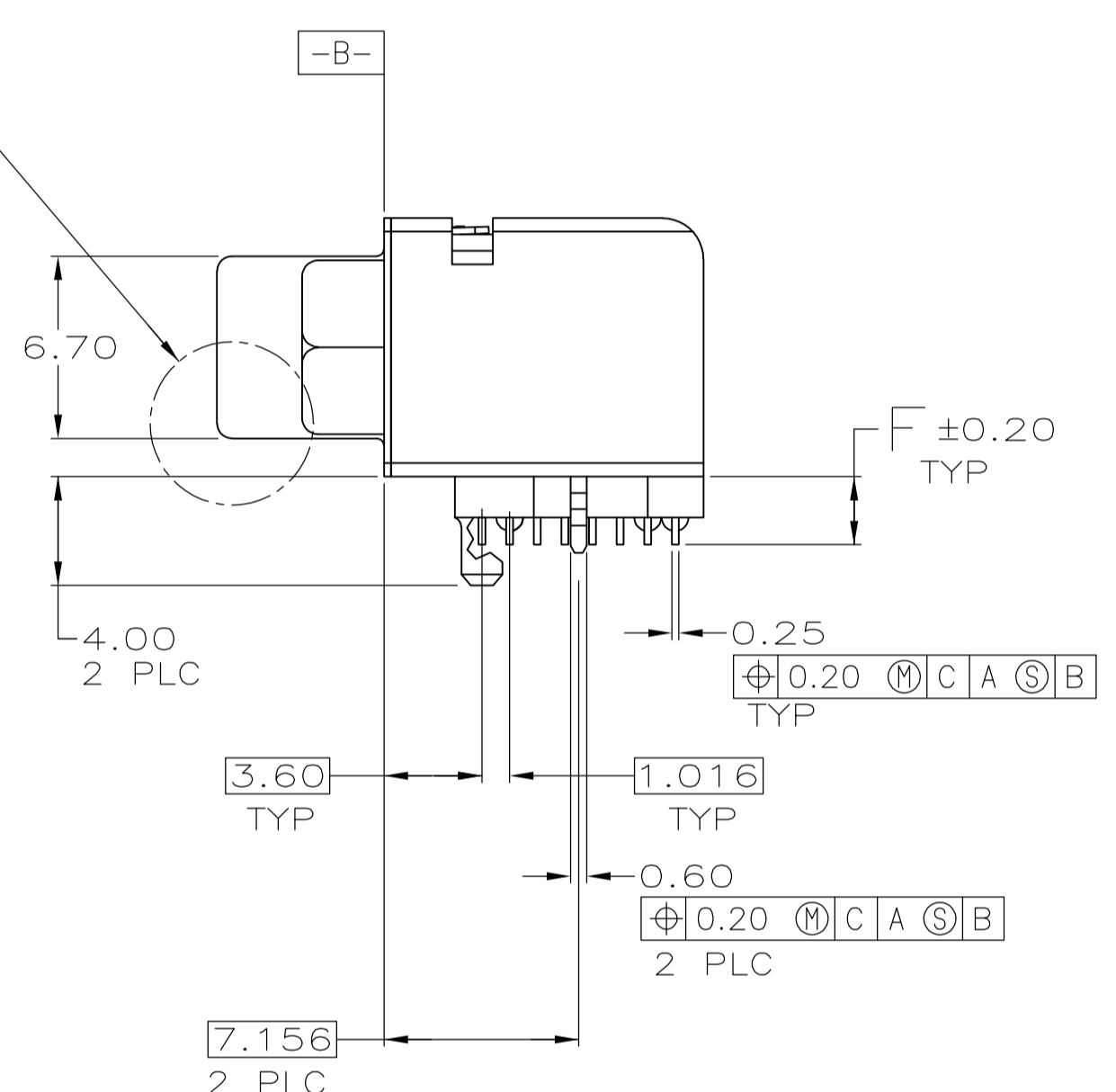
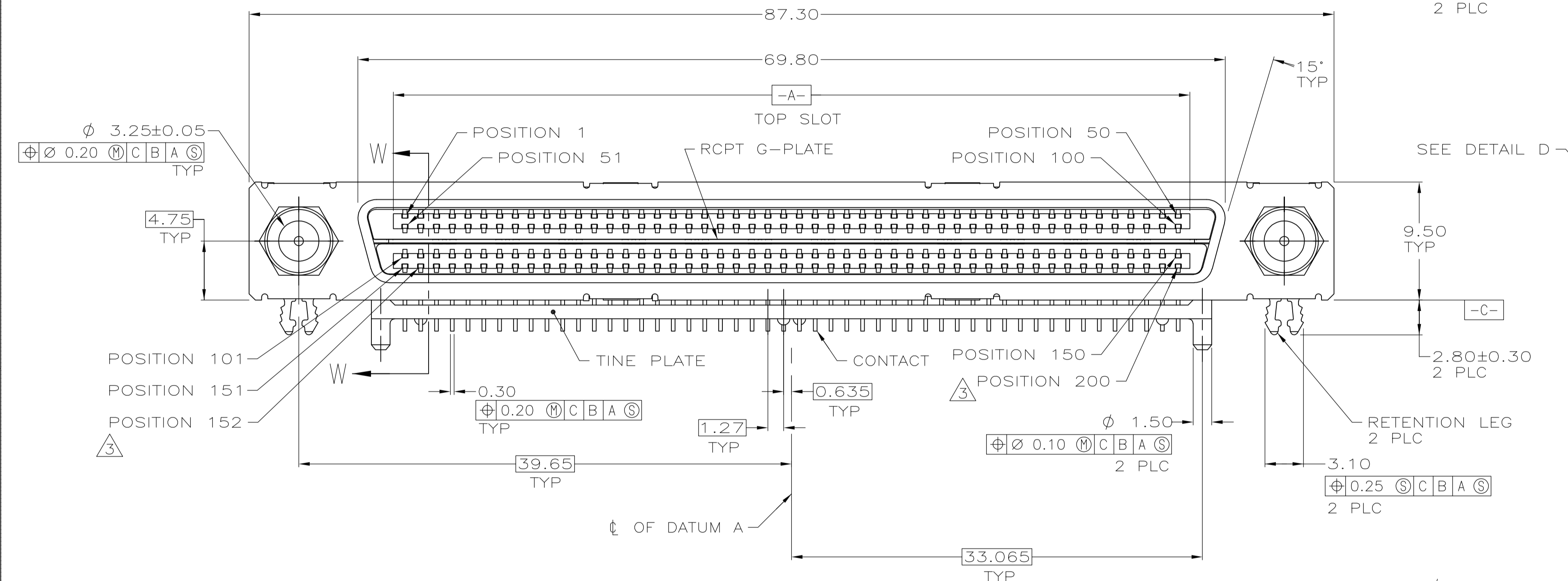


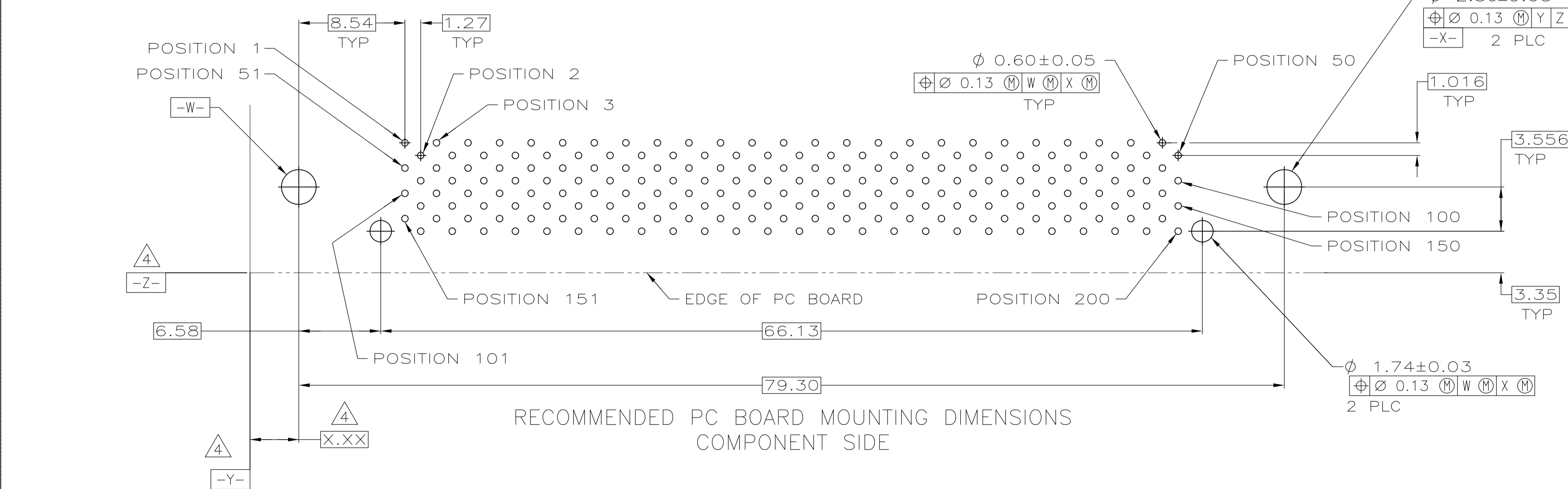
LOC		DIST		REVISIONS			
GP	00	REV	DATE	BY	CHK	APPV	
0		RELEASED PER EC 0513-0440-04	12-07-04	LV	JG		
01		REVISED PER ECO-10-000444	03NOV09	KK	AEG		



- △ HOUSING AND TINE PLATE: POLYESTER, NATURAL.  
CONTACTS: COPPER ALLOY.  
SHELL: CARBON STEEL.  
RCPT G-PLATE: STAINLESS STEEL.  
GUIDE SOCKET AND RETENTION LEG: BRASS.
- △ SHELL: 3.00µm MIN NICKEL OVER 1.30µm MIN COPPER.  
RETENTION LEG: 2.00µm MIN TIN OVER 1.00µm MIN NICKEL.  
GUIDE SOCKET: NICKEL OVER COPPER.  
CONTACTS: 0.76µm MIN GOLD FOR A LENGTH OF 1.10 MIN FROM MATING END,  
2.54 MIN TIN FOR A LENGTH OF 2.80 MIN FROM OPPOSITE END,  
BOTH OVER 1.27µm MIN NICKEL.
- △ CONTACTS 152 AND 200, ARE SEQUENCED AWAY FROM MATING FACE.
- △ DATUMS AND BASIC DIMENSIONS ESTABLISHED BY CUSTOMER.
- △ DATE CODE MAY BE MARKED ON EITHER END.
- △ OBSOLETE PARTS: OBSOLETE CIS STREAMLINING PER D.RENAUD/D.SINISI



DETAIL D  
SCALE 10:1



△ OBSOLETE	NO	2.50	2-5787851-1
	YES	3.18	5787851-2
	YES	2.50	5787851-1
REMOVABLE GUIDE SOCKETS	F		PART NUMBER

THIS DRAWING IS A CONTROLLED DOCUMENT.		DIN L VARELA -DOCK5 12-07-04	Tyco Electronics Corporation
DIMENSIONS: mm		CHK C ROHDE 12-07-04	Harrisburg, Pa 17105-3608
TOLERANCES UNLESS OTHERWISE SPECIFIED:		APPV M WALMSLEY 12-07-04	NAME
0 PLC	± -	PRODUCT SPEC	RECEPTACLE ASSEMBLY, 200 POSITION, RIGHT ANGLE, .050, CHAMP
1 PLC	± -	APPLICATION SPEC	
2 PLC	± 0.25	SIZE	A1
3 PLC	± -	CAGE CODE	00779
4 PLC	± -	DRAWING NO	C=5787851
ANGLES	± °	WEIGHT	
MATERIAL	△	CUSTOMER DRAWING	SCALE 4:1 SHEET 1 OF 1 REV 01
FINISH	△		