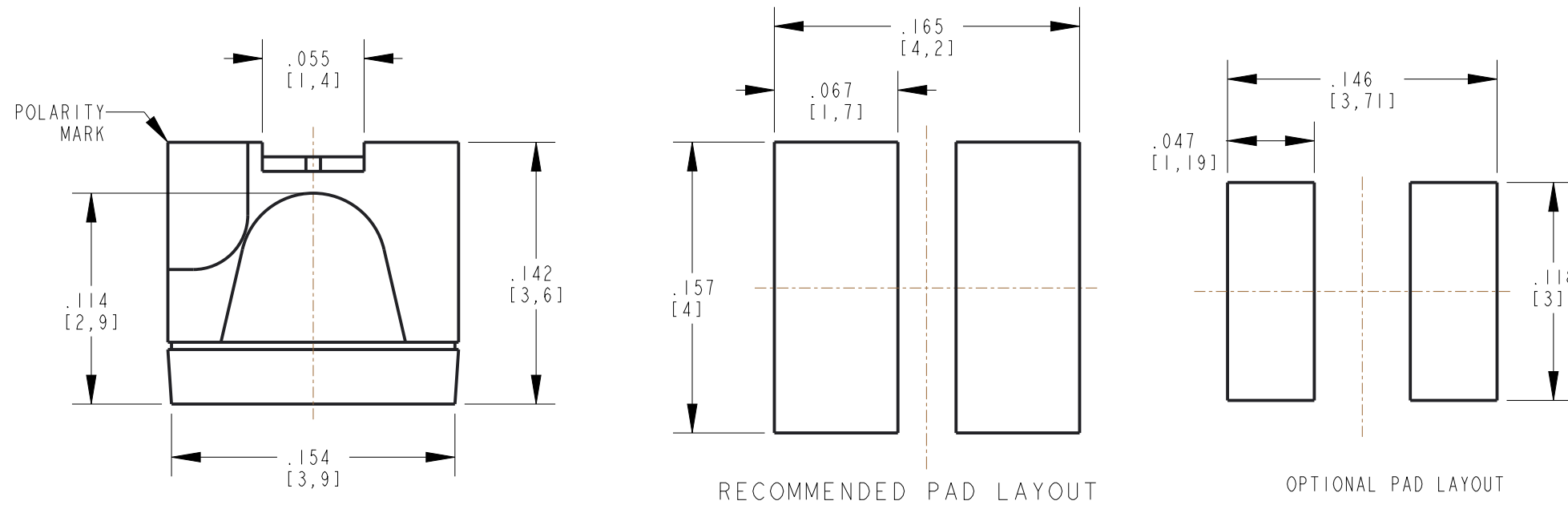
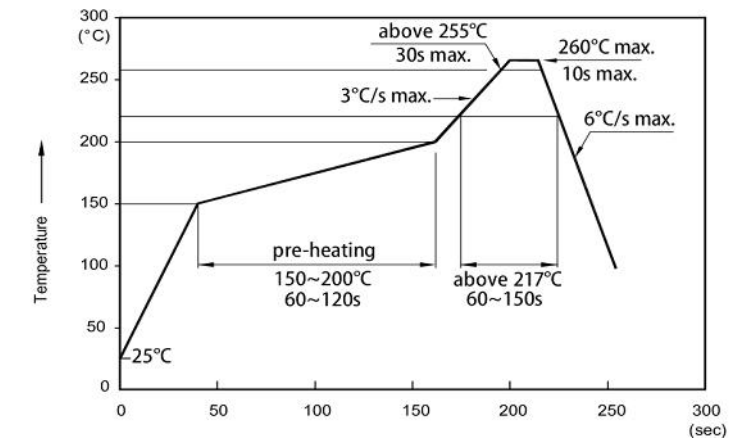
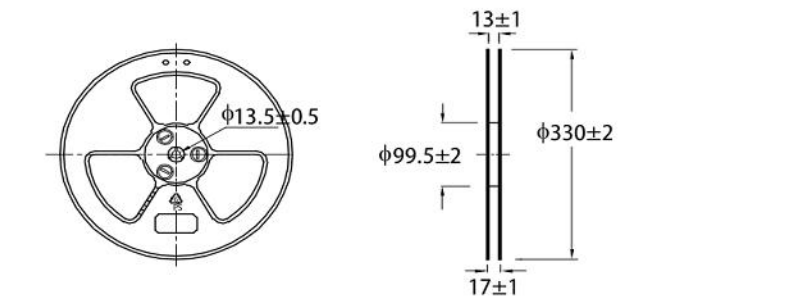
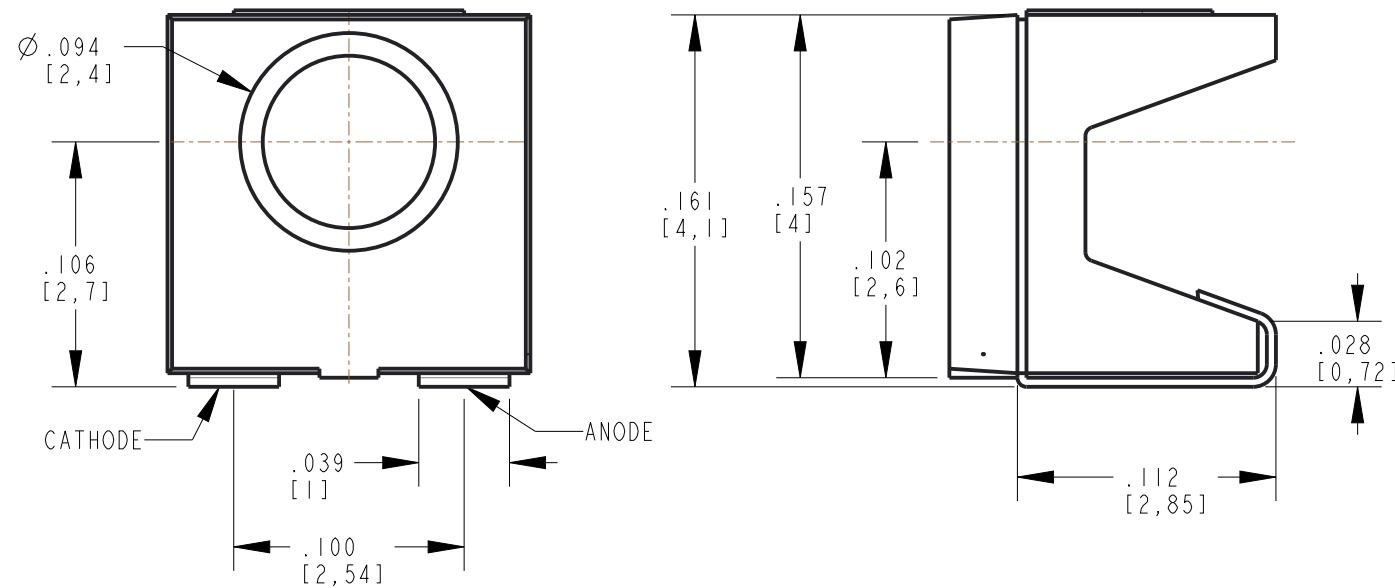
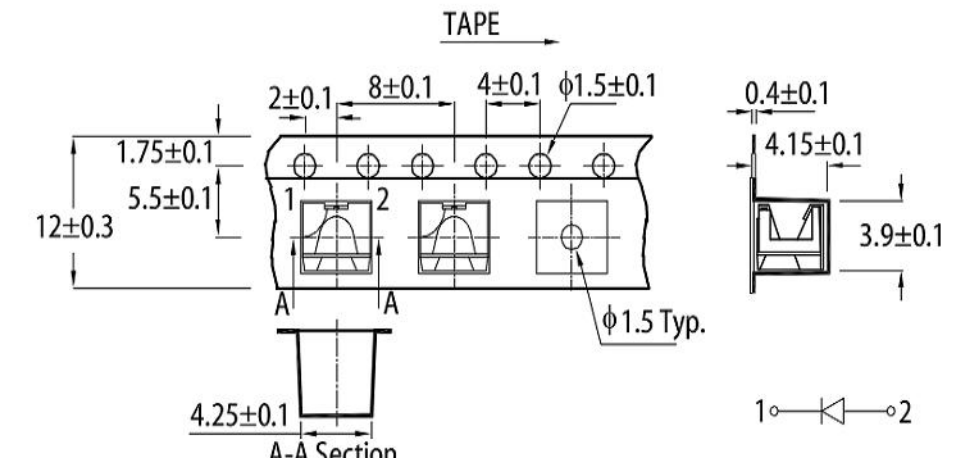


REV	REVISIONS	DRN	CKD	APP	QA	CM	DATE
A	NEW RELEASE	LD		NO			3-8-22



TAPE SPECIFICATIONS (units : mm)



OPERATING CHARACTERISTICS AT 25°C AMBIENT

LED COLOR	PEAK WAVELENGTH (nm)	LUMINOUS INTENSITY (mcd) @ I _f =20mA			DOMINANT WAVELENGTH (nm) @ I _f =20mA			FORWARD VOLTAGE (V) @ I _f =20mA			VIEWING ANGLE (DEGREES)
		TYP	MIN	MAX	MIN	TYP	MAX	MIN	TYP	MAX	
GREEN	574	40	90	200	567	570	573	2.1	2.5		120

ABSOLUTE MAXIMUM RATINGS AT 25°C AMBIENT		GREEN	UNITS
POWER DISSIPATION		75	mW
CONTINUOUS FORWARD CURRENT		30	mA
PEAK FORWARD CURRENT (1/10 DUTY CYCLE, 10ms PULSE WIDTH)		150	mA
REFLOW SOLDERING TEMPERATURE FOR 10 SEC.		260	°C
OPERATING TEMPERATURE		-40 TO +85	°C
STORAGE TEMPERATURE		-40 TO +85	°C
ELECTROSTATIC DISCHARGE THRESHOLD (HBM)		3000	V

NOTES:

- DIALIGHT PART NUMBER:
597-2302-213F IS FOR THE 13" REEL WITH 2000 PCS
597-2302-202F IS FOR THE 20 PCS SAMPLE STRIP
- EMITTING COLOR: GREEN (AlGaInP).
- THIS PRODUCT IS RoHS COMPLIANT. EACH BAG IS TO BE MARKED WITH RoHS COMPLIANT LABEL OR EQUIVALENT MARKINGS. LED MUST BE Pb FREE.
- MOISTURE SENSITIVITY LEVEL IS 3.

THIS DRAWING AND THE CONTENTS HEREIN ARE CONFIDENTIAL AND THE SOLE PROPERTY OF DIALIGHT CORP. REPRODUCTION OF THIS DRAWING OR CONSTRUCTION OF ANY PARTS WITHIN THIS DRAWING ARE FORBIDDEN WITHOUT THE WRITTEN CONSENT OF DIALIGHT CORP.

DIALIGHT CORP. INTERNAL REFERENCE ONLY = 3D MODEL : 4500597230219		
SCALE: 12.000	DRAWING NUMBER	REV
ALL DIM'S: INCH (mm)	C-18553	A
TOLERANCES: UNLESS OTHERWISE SPECIFIED	TITLE	
FRACTIONS: ±1/64	SM RIGHT ANGLE GREEN	
DECIMALS (.XX): ±.01	MATERIAL	
DECIMALS (.XXX): ±.005		
DECIMALS (.XXXX): ±.0005		
ANGLES: ±1°		
FINISH		
FSCM 83330		
	SHEET 1 OF 1	FAMILY TABLE:

1501 ROUTE 34 SOUTH
FARMINGDALE, NJ 07727
(732) 919-3119
www.dialight.com