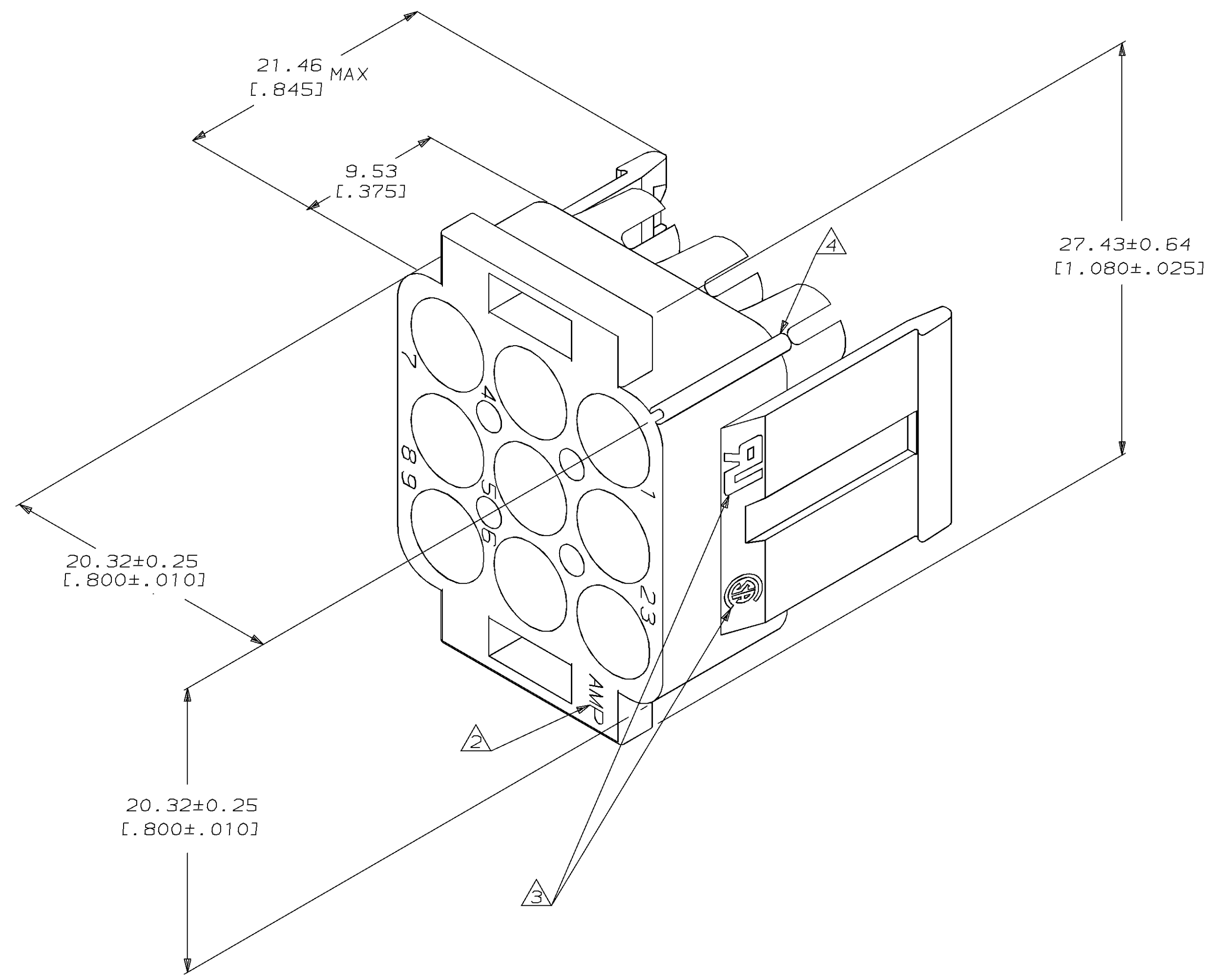


LOC		DIST		P		F		ZONE		LTR		REVISIONS		DATE	APPD
CM	53											N1	REVISED PER ECO-17-009556	05JUN2017	RS/KR



- MUST BE ASSEMBLED WITH CAP FRONT P/N 770053-1 BEFORE MATING. KIT P/N IS 770028-1.
- AMP LOGO LOCATED THIS SURFACE.
- UL AND CSA LOGOS LOCATED THIS SURFACE.
- CIRCUIT NO. 1 IDENTIFICATION RIB LOCATED APPROXIMATELY AS SHOWN.
- LOCATION OF CIRCUIT NUMBERS MOVE BUT WILL REMAIN ADJACENT TO APPROPRIATE CAVITY.
- DIMENSIONS SHOWN REPRESENT PRODUCT IN DRY, AS MOLDED CONDITION. ADDITIONAL 2% GROWTH DUE TO SUBSEQUENT MOISTURE ABSORPTION MAY OCCUR AND SHOULD BE ACCOUNTED FOR.
- DIMENSIONS IN BRACKETS ARE IN INCHES.

770054-1
PART NUMBER

DO NOT SCALE PRINT. UNLESS SPECIFIED DIMENSIONS IN mm TOLERANCES ON : 2 PLC DEC ± _____ 3 PLC DEC ± 0.13 [.005] ANGLES ± _____		DR 1-15-92 K. SALMON	PART NO	
MATERIAL NYLON, UL94V-0,	APPD 1-16-92 M. TRULL	CHK 1-15-92 R. SWING	NAME	
FINISH	APPD 1-16-92 M. TRULL	APPD 1-16-92 M. TRULL	CAP REAR, 9 CIRCUIT, UNIVERSAL MATE-N-LOK™ II	
WEIGHT	APPLICATION SPEC	PRODUCT SPEC	SIZE D	FSCM NO 00779
			SCALE 5:1	DRAWING NO 770054
				SHEET 1 OF 1