

1

2

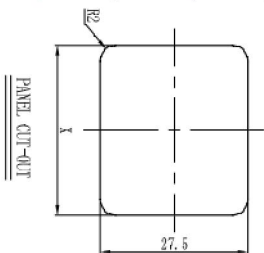
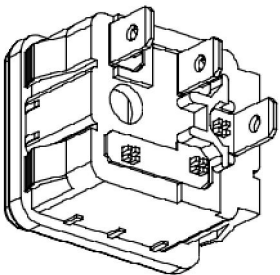
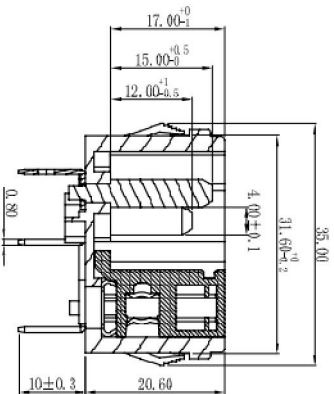
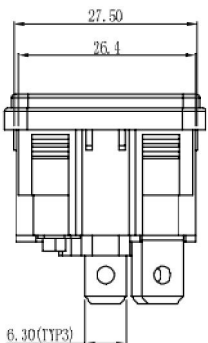
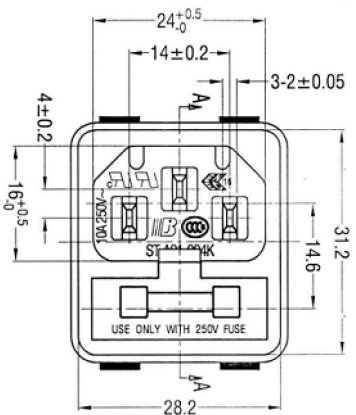
3

4

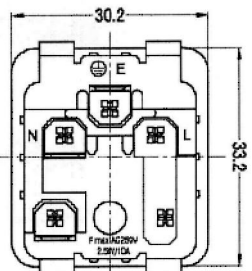
5

6

7



THICKNESS	X
0.8~1.8	31.4
1.9~3.2	31.6



RoHS compliant

- Noted :**
 The Material :
 ③ Insulator: PA66 UL94 V-0 Color: Black
 Pin: Alloy Copper
 Finish:
 ③ Plating : Tin
 ③ Electrical Characteristics:
 Rating: 10A 250V
 Electric Strength : AC 2,000V for one minute
 Insulation Resistance: 100MΩ Min at 500 VDC
 Approval:
 ③ UL,CUL ,CCC,ENEC

Scale	1:1								
TOLERANCE									
0-10	±0.1								
10-30	±0.3								
30-100	±0.5								
DIM	TOL								
		①	Drawn	08.07.2009	Dean				
		②	Change of plant	28.12.2012	Winnie				
		③	Cancel VDE and add ENEC Approval Update the material&plating &electrical	24.04.2019	Winnie	Approved	24.04.2019	Winnie	
UNIT	mm	Id.	Modification	Date	Name				

ASSMANN
 WSW/ components

Customer-No.

ASSMANN WSW-No.

A-KGS-S/TF

Drawing-No.

ASS 0889R CO rev03

Replace

SHEET

1

2

3

4

5

6

7

189

H

G

F

E

D

C

B

A

A

B

C

D

E

F

G

H