

10/100 Base-T Single Port LAN Transformer w/ PoE+ Extended Temperature 3 Cores Solution

ALAN-2202

RoHS/RoHS II Compliant



12.70 x 9.40 x 5.70mm

FEATURES:

- Meet IEEE802.3 specification
- Power Over Ethernet(PoE+)IEEE802.3at compliant performance
- Extended Temperature (-40°C - +85°C)
- ROHS peak reflow temperature rating 245°C
- 1500Vrms Hi-Pot

APPLICATIONS:

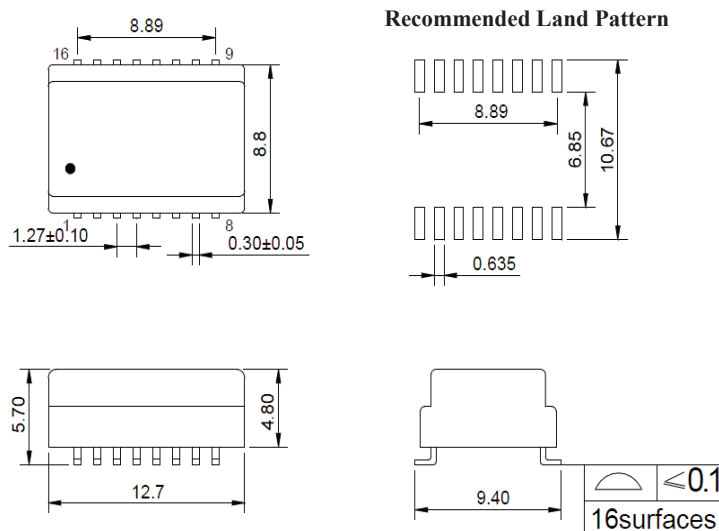
- Designed for most leading PHY IC manufacturers such as Broadcom, Marvell, Micrel, & Microsemi
- 10/100Base-T Ethernet-LAN
- VoIP/PoE+ Capabilities
- Symmetrical Tx & RX channels for Auto MDI/MDIX capability
- Provides signal conditioning, EMI suppression and signal isolation.
- Hubs/Switches/Routers/Servers/NIC Cards

STANDARD SPECIFICATIONS:

Key Electrical Specifications @ 25°C

Parameters	Minimum	Typical	Maximum	Units	Notes
Operating Temperature	-40		+85	°C	
Storage Temperature	-40		+85	°C	
Turn Ratio (± 5%)		1CT:1CT			
Inductance (OCL)	350			μH	100KHz/0.1V@8mA
Leakage Inductance (LL)			0.5	μH	100KHz/0.1V
Cw/w			30	pF	100KHz/0.1V
DC Resistance			1.2	Ω	
Insertion Loss			-1.1	dB	1-100MHz
Return Loss	-18			dB	1-30MHz
	-16				40MHz
	-13				50MHz
	-12				60-80MHz
Cross Talk		-30		dB	1-100MHz
Differential to Common Mode Rejection	-30			dB	1-100MHz
Common Mode Rejection	-30			dB	1-100MHz
PoE Current Capacity			720	mA	
Hi-Pot	1500Vrms				

OUTLINE DIMENSIONS:



Dimensions: mm (Unless otherwise specified, tolerances are ±0.25)

Dimension: mm



5101 Hidden Creek Ln Spicewood TX 78669
Phone: 512-371-6159 | Fax: 512-351-8858
For terms and conditions of sales, please visit:
www.abracon.com

REVISED: 07-8-20

ABRACON IS
ISO9001-2015
CERTIFIED

10/100 Base-T Single Port LAN Transformer w/ PoE+ Extended Temperature 3 Cores Solution

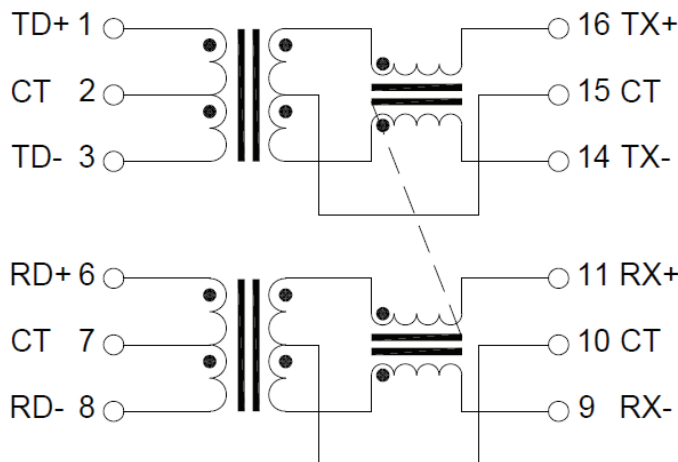
ALAN-2202

RoHS/RoHS II Compliant

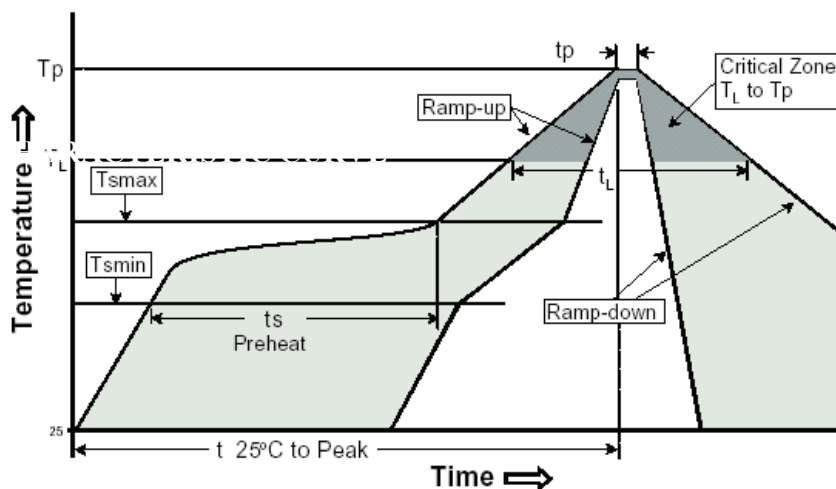


12.70 x 9.40 x 5.70mm

SCHEMATICS



REFLOW PROFILE:



Profile Feature	Pb-Free Assembly
Average Ramp-Up Rate ($T_{s\ max}$ to T_p)	3°C /second max.
Preheat -Temperature Min ($T_{s\ min}$) -Temperature Max ($T_{s\ max}$) -Time ($t_{s\ min}$ to $t_{s\ max}$)	150°C 200°C 60-120 seconds
Time maintained above: -Temperature (T_L) -Time (t_L)	217°C 60-150 seconds
Peak/Classification Temperature (T_p)	245±5°C
Time within 5°C of actual Peak Temperature (t_p)	20-40 seconds
Ramp-Down Rate	6°C /seconds max
Time 25°C to Peak Temperature	8 minutes max.

10/100 Base-T Single Port LAN Transformer w/ PoE+ Extended Temperature 3 Cores Solution



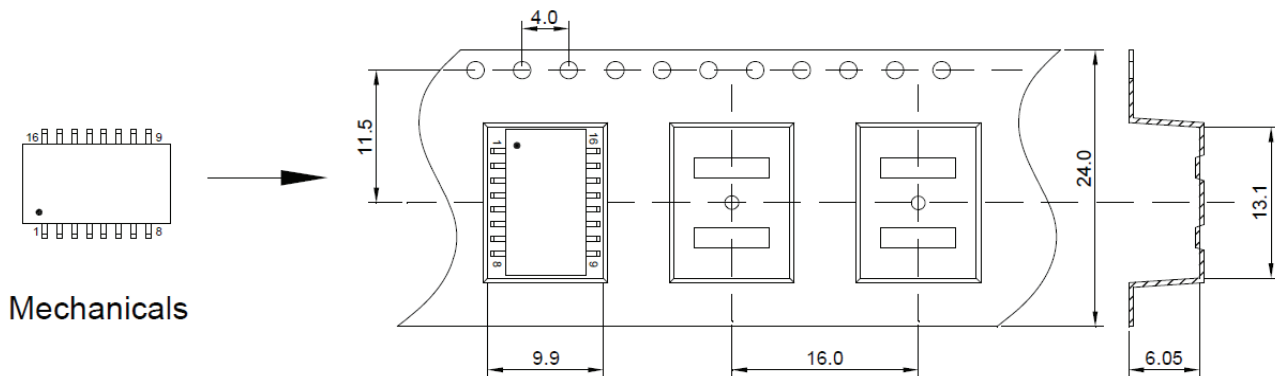
12.70 x 9.40 x 5.70mm

ALAN-2202

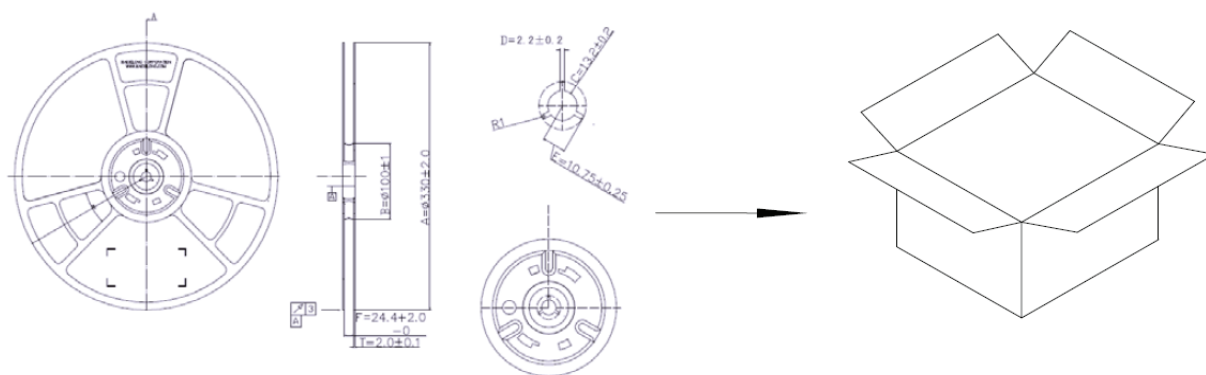
RoHS/RoHS II Compliant

▷ **TAPE & REEL:**

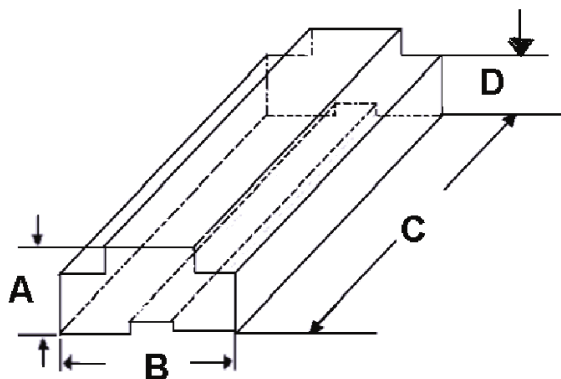
Packing Option I: 700 pcs / reel
Weight: 0.7 grams / pcs



Tape & Reel



Packing Option II: 36 pcs / tube
Weight: 0.7 grams / pcs



A	B	C	D
9.20	13.70	485.0	6.0

Dimensions: mm

ATTENTION: Abracon Corporation's products are COTS – Commercial-Off-The-Shelf products; suitable for Commercial, Industrial and, where designated, Automotive Applications. Abracon's products are not specifically designed for Military, Aviation, Aerospace, Life-dependant Medical applications or any application requiring high reliability where component failure could result in loss of life and/or property. For applications requiring high reliability and/or presenting an extreme operating environment, written consent and authorization from Abracon Corporation is required. Please contact Abracon Corporation for more information.



5101 Hidden Creek Ln Spicewood TX 78669
Phone: 512-371-6159 | Fax: 512-351-8858
For terms and conditions of sales, please visit:
www.abracon.com

REVISED: 07-8-20

ABRACON IS
ISO9001-2015
CERTIFIED