

User's Guide

BQ2573X Evaluation Module



ABSTRACT

The BQ25730EVM and BQ25731EVM evaluation modules (EVM) are I²C-controlled NVDC-1 buck boost charger. The input voltage range is between 3.5 V and 26 V, with a programmable output of 1–5 cells and a charge output current range of 128 mA to 15 A. This EVM does not include the EV2400 interface device. The EV2400 must be ordered separately to evaluate the BQ2573X EVM.

Table of Contents

1 Introduction	2
1.1 EVM Features.....	2
1.2 General Description.....	2
2 Test Summary	5
2.1 Definitions.....	5
2.2 Equipment.....	5
2.3 Equipment Setup.....	6
2.4 Procedure.....	9
3 Bill of Materials, Board Layout, and Schematics	10
3.1 Bill of Materials.....	10
3.2 Board Assembly Layout.....	13
3.3 Schematic.....	19
Revision History	21

List of Figures

Figure 2-2. Original Test Setup for BMS051 (BQ2573X EVM).....	7
Figure 2-3. BQ2573X Evaluation Software Main Window.....	8
Figure 2-4. EN_OTG.....	9
Figure 3-1. Top Assembly.....	13
Figure 3-2. Bottom Assembly.....	14
Figure 3-3. PCB Layer 1.....	15
Figure 3-4. PCB Layer 2.....	16
Figure 3-5. PCB Layer 3.....	17
Figure 3-6. PCB Layer 4.....	18
Figure 3-7. BQ25730 EVM Schematic.....	19
Figure 3-8. BQ25731 EVM Schematic.....	20

List of Tables

Table 1-1. I/O Description.....	2
Table 1-2. Controls and Key Parameters Setting.....	3
Table 1-3. Recommended Operating Conditions.....	4
Table 3-1. BQ2573X EVM Bill of Materials.....	10

Trademarks

USB Type-C™ is a trademark of USB Implementer's Forum, Inc..
All trademarks are the property of their respective owners.

1 Introduction

1.1 EVM Features

This EVM supports the following features:

- Evaluation module for the BQ2573X devices
- Supports 3.5- to 26-V input source
 - 3.5- to 26-V, 0- to 10-A input operating range and 1–5 cell battery configuration
 - Supports USB2.0, USB 3.0, USB 3.1 (USB Type-C™) and USB_PD
 - Supports USB OTG with 3- to 24-V adjustable output
 - Supports Fast Role Swap (FRS) feature for USB_PD
- Narrow VDC (NVDC) power path management
 - Instant-on works with no battery or deeply discharged battery
 - Battery supplements system when adapter is fully-loaded
- 400-kHz or 800-kHz switching frequency for high efficiency
- Power Path (BQ25730) or Non Power Path (BQ25731) options
- Power and Current Monitor for CPU Throttling
- Safety
 - Thermal shutdown
 - Input and system overvoltage protection
 - MOSFET overcurrent protection
- Charge status outputs for LED or host processor
- Maximum power tracking capability by input voltage regulation
- Test points for key signals available for testing purposes. Easy probe hook-up.
- Jumpers available. Easy-to-change connections.

1.2 General Description

The BQ2573X evaluation modules are complete charger modules for evaluating an I²C-controlled buck boost charge using the BQ2573X devices.

The BQ2573X EVM does not include the EV2400 interface board. To evaluate the BQ2573X EVM, order an EV2400 interface board separately.

The BQ2573X is a synchronous NVDC-1 battery buck boost charge controller, offering a low component count, high efficiency solution for space-constrained, multi-chemistry battery charging applications.

The BQ2573X charges the battery from a wide range of input sources including a 5-V USB adapter to a high-voltage USB PD source and traditional adapters.

During power up, the charger sets the converter to buck, boost, or buck-boost configuration based on the input source and battery conditions. During the charging cycle, the charger automatically transits among buck, boost, and buck-boost configuration without host control.

The BQ2573X monitors adapter current, battery current, and system power. The flexible programmed PROCHOT output goes directly to the CPU for throttle back, when needed.

For more details on register functions, see the [BQ25730 I²C 1-5 Cell Narrow VDC Buck-Boost Battery Charge Controller With System Power Monitor and Power Path Control](#) and [BQ25731 I²C 1-5 Cell Narrow VDC Buck-Boost Battery Charge Controller Data Sheets](#).

Table 1-1 lists the I/O descriptions.

Table 1-1. I/O Description

Jack	Description
J1-VIN	Input: positive terminal
J1-PGND	Input: negative terminal (ground terminal)
J2-CHRG_OK	CHRG_OK output

Table 1-1. I/O Description (continued)

Jack	Description
J2-OTG/VAP	External OTG/VAP disable pin; Logic LOW to disable OTG/VAP
J2-CELL_CONTROL	External battery removal control; Logic high to pull CELL pin down
J2-ILIM_HIZ	External converter disable; Logic LOW to enable HIZ mode
J3-SCL	SMBUS/I2C SCL
J3-GND	Ground
J3-SDA	SMBUS/I2C SDA
J4-GND	Ground
J4-CMPIN	External CMPIN pin input
J4-CMPOUT	CMPOUT pin output
J5-VBAT	Connected to battery pack output
J5-PGND	Ground
J6-VSYS	Connected to system output
J6-PGND	Ground
J7-SDA	SMBUS/I2C SDA
J7-SCL	SMBUS/I2C SCL
J7-GND	Ground

Table 1-2 displays the controls and key parameters settings.

Table 1-2. Controls and Key Parameters Setting

Jumper	Description	Factory Setting
JP2	Jumper on: Forward Mode Jumper off: Enable OTG	Installed
JP3	CELL setting 1S: JP3(1-2) measure CELL pin voltage 1.2 V 2S: JP3(3-4) measure CELL pin voltage 2.7 V 3S: JP3(5-6) measure CELL pin voltage 3.9 V 4S: JP3(7-8) measure CELL pin voltage 4.2 V 5S: JP3(9-10) measure CELL pin voltage 6.0 V	JP3(3-4) installed
JP4	Jumper on: Bat removal Jumper off: Cell setting by JP3	Not installed
JP6	HIZ Enable Jumper on: Enable HiZ mode. Jumper off: ILIM is set by external resistor divider	Not installed
JP8	Jumper on: Onboard LDO to drive the EVM 3V3 Jumper off: disconnect onboard LDO to drive the EVM 3V3	Installed

Table 1-3 lists the recommended operating conditions.

Table 1-3. Recommended Operating Conditions

Symbol	Description	MIN	TYP	MAX	Unit
Supply voltage, V_{IN}	Input voltage from ac adapter input	3.5	5/12/20	26	V
Battery voltage, V_{BAT}	Voltage applied at VBAT terminal	0		23	V
Supply current, I_{AC}	Maximum input current from ac adapter input	0		10	A
Output current, I_{OUT}	Output current	0		15	A
Operating junction temperature range, T_J		0		125	°C

2 Test Summary

2.1 Definitions

This procedure details how to configure the BMS051 evaluation board. For the test procedure, the following naming conventions are followed. Refer to the [BMS051 schematic](#) for details.

VXXX:	External voltage supply name (VADP, VBT, VSBT).
LOADW:	External load name (LOADR, LOADI).
V(TPyyy):	Voltage at internal test point TPyyy. For example, V(TP12) means the voltage at TP12.
V(Jxx):	Voltage at jack terminal Jxx.
V(TP(XXX)):	Voltage at test point "XXX". For example, V(ACDET) means the voltage at the test point which is marked as "ACDET".
V(XXX, YYY):	Voltage across point XXX and YYY.
I(JXX(YYY)):	Current going out from the YYY terminal of jack XX.
Jxx(BBB):	Terminal or pin BBB of jack xx.
Jxx ON :	Internal jumper Jxx terminals are shorted.
Jxx OFF:	Internal jumper Jxx terminals are open.
Jxx (-YY-) ON:	Internal jumper Jxx adjacent terminals marked as "YY" are shorted.
Measure: → A,B	Check specified parameters A, B. If measured values are not within specified limits, the unit under test has failed.
Observe → A,B	Observe if A, B occurs. If they do not occur, the unit under test has failed.

[Assembly drawings](#) have locations for jumpers, test points, and individual components.

2.2 Equipment

The following list of equipment is required for fully testing the EVM:

1. Power Supplies

A power supply capable of supplying 26 V at 10 A is required. While this part can handle larger voltage and current, it is not necessary for this procedure.

2. Load #1

A 0- to 23-V/0- to 15-A, system DC electronic load and setting as constant current load mode.

3. Load #2

A Kepco load: BOP36-12M, DC 0 to ± 36 V, 0 to ± 12 A (or higher), or equivalent.

4. Meters

Six Fluke 75 multimeters, (equivalent or better) or: Four equivalent voltage meters and two equivalent current meters.

5. Computer

A computer with at least one USB port and a USB cable.

6. EV2400 Communication Kit

7. Software

Download and properly install BQstudio from <http://www.ti.com/tool/BQstudio>.

2.3 Equipment Setup

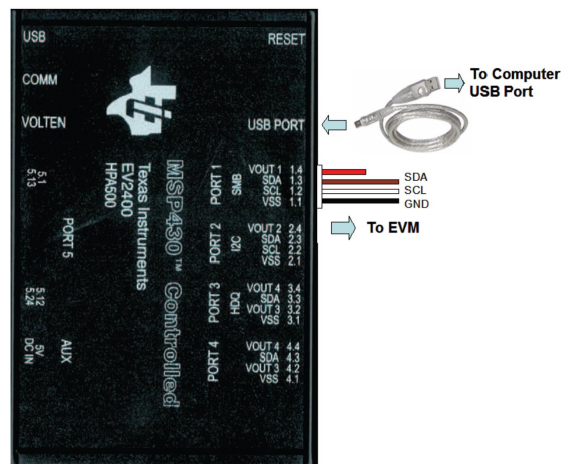
Use the following guidelines to set up the equipment:

1. Set power supply #1 for 10-V DC, 5-A current limit and then turn off the supply.
2. Connect the output of power supply #1 in series with a current meter to J1 (VIN and PGND).
3. Connect a voltage meter across J1 (VIN) and J1 (PGND).
4. Connect load #1 in series with a current meter to J6 (VSYS and PGND). Connect a voltage meter across J6 (VSYS and PGND). Set 1 A at the constant current mode. Turn off load #1.
5. Connect Load #2 in series with a current meter to J5 (VBAT and PGND). Connect a voltage meter across J5 (VBAT and PGND). Set 7 V at KEPCO load output. Turn off Load #2.

Note

Add a 47- μ F capacitor on the BAT pin when testing without real battery.

6. Connect J3 to the EV2400. Connect J3 to the I²C PORT 2 on the EV2400. The connections are shown in [Figure 2-1](#).



The picture shows the SMBus version EVM connection. For I²C version, move the connector to the I²C port.

Figure 2-1. EV2400 Connections

7. Install jumpers using the “factory settings” from [Table 1-2](#).

After completing these steps, the test setup for BMS051 is as shown in [Figure 2-2](#).

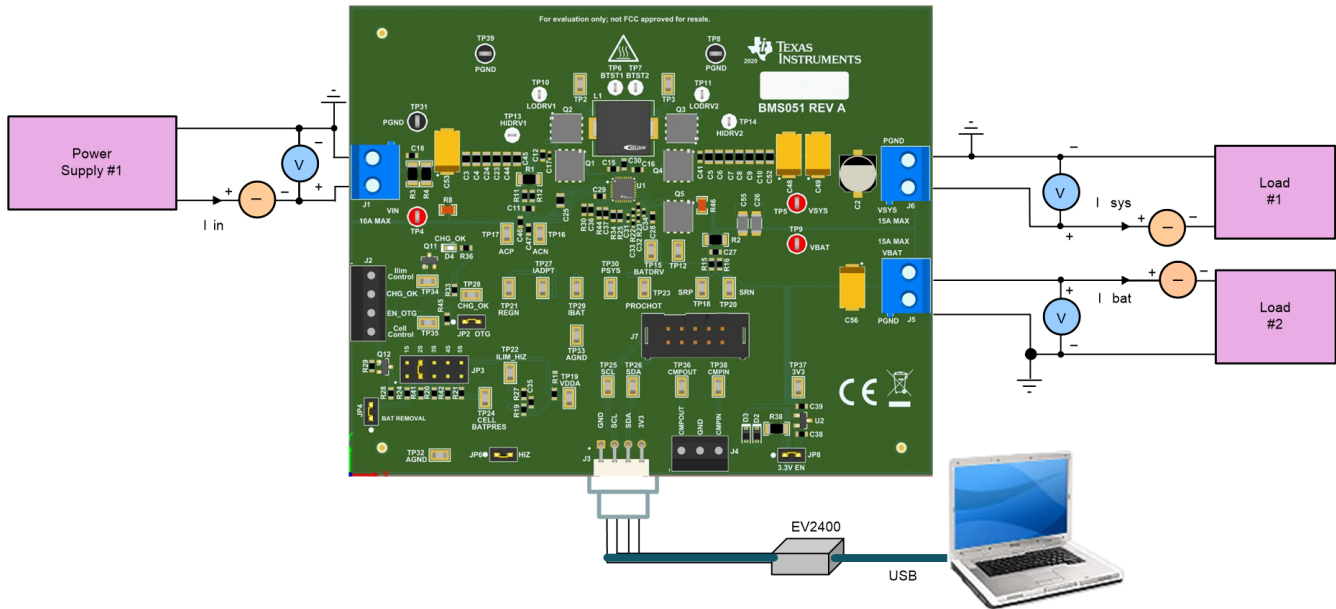
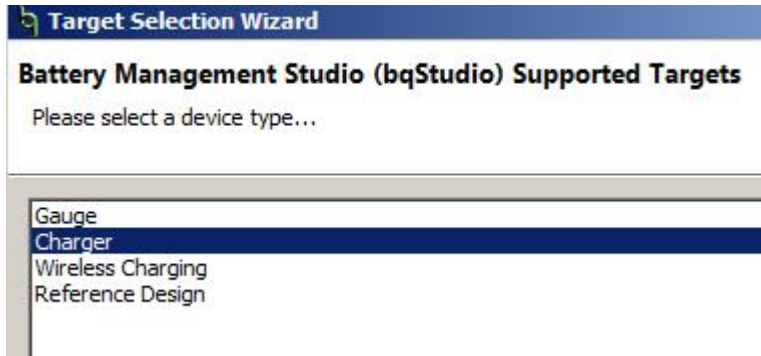


Figure 2-2. Original Test Setup for BMS051 (BQ2573X EVM)

8. Turn on the computer and power supply #1. Open the BQstudio software.
 - a. Select *Charger* and click the **Next** button.



- b. Select “Charger_1_00_BQ2573x.bqz” on the *Select a Target Page*.
 - c. After selecting the target device, change “update mode” from “immediate” to “manual”, click “Read Register” and the following interface is presented.

Registers

Save Registers Load Registers Start Log Write Register Read Register Auto Read: OFF Update Mode Immediate Tgt Address D6(6E) Device ACK OK

Register Name	Address	Current Value	15	14	13	12	11	10	9	8	7	6	5	4	3	2	1	0
Charge Option 0	0x00	020E	0	0	0	0	0	0	1	0	0	0	0	0	1	1	1	0
Charge Current	0x02	0000	0	0	0	0	0	0	0	0	0	0	0	0	0	0	0	0
Max Charge Voltage	0x04	20D0	0	0	1	0	0	0	0	0	1	1	0	1	0	0	0	0
OTG Voltage	0x06	09C4	0	0	0	0	1	0	0	1	1	1	0	0	0	1	0	0
OTG Current	0x08	3C00	0	0	1	1	1	1	0	0	0	0	0	0	0	0	0	0
Input Voltage	0x0A	3A80	0	0	1	1	1	0	1	0	1	0	0	0	0	0	0	0
Min System Voltage	0x0C	2400	0	0	1	0	0	1	0	0	0	0	0	0	0	0	0	0
IIN_HOST	0x0E	2000	0	0	1	0	0	0	0	0	0	0	0	0	0	0	0	0
Charger Status	0x20	8000	1	0	0	0	0	0	0	0	0	0	0	0	0	0	0	0
Prochot Status	0x22	B800	1	0	1	1	1	0	0	0	0	0	0	0	0	0	0	0
IIN_DPM	0x24	2000	0	0	1	0	0	0	0	0	0	0	0	0	0	0	0	0
ADC VBUS and PSYS	0x26	CB00	1	1	0	0	1	0	1	1	0	0	0	0	0	0	0	0
ADC IBAT	0x28	0000	0	0	0	0	0	0	0	0	0	0	0	0	0	0	0	0
ADC IIN and CMPIN	0x2A	0000	0	0	0	0	0	0	0	0	0	0	0	0	0	0	0	0
ADC VSYS and VBAT	0x2C	0000	0	0	0	0	0	0	0	0	0	0	0	0	0	0	0	0
Manufacture ID	0x2E	D540	1	1	0	1	0	1	0	1	0	1	0	0	0	0	0	0
Device ID	0x2F	00D5	0	0	0	0	0	0	0	0	1	1	0	1	0	1	0	1
Charge Option 1	0x30	3F00	0	0	1	1	1	1	1	1	0	0	0	0	0	0	0	0
Charge Option 2	0x32	00B7	0	0	0	0	0	0	0	0	1	0	1	1	0	1	1	1
Charge Option 3	0x34	0434	0	0	0	0	0	1	0	0	0	0	1	1	0	1	0	0
Prochot Option 0	0x36	4A09	0	1	0	0	1	0	1	0	0	0	0	0	1	0	0	1
Prochot Option 1	0x38	41A0	0	1	0	0	0	0	0	1	1	0	1	0	0	0	0	0
ADC Option	0x3A	2000	0	0	1	0	0	0	0	0	0	0	0	0	0	0	0	0
Charge Option 4	0x3C	0048	0	0	0	0	0	0	0	0	0	1	0	0	1	0	0	0
Vmin Active Protection	0x3E	0004	0	0	0	0	0	0	0	0	0	0	0	0	0	1	0	0

Charge Option 0

EN_LWPOWER

WDTMR_ADJ

IIN_DPM_AUTO_DISABLE

OTG_ON_CHRGOK

EN_OOA

PWM_FREQ

LOW_PTM_RIPPLE

EN_CMP_LATCH

SYS_UVP_ENZ

EN_LEARN

IADPT Gain

IDCHG Gain

EN_LDO

EN_IIN_DPM

CHRГ_INHIBIT

Figure 2-3. BQ2573X Evaluation Software Main Window

2.4 Procedure

2.4.1 Charge Function

1. Make sure [Equipment Setup](#) steps are followed.
2. Set Tgt Address to D6(6B)
3. Write "020A" to charge option 0 register 0x00H.
Measure → V(J1(V_{IN})) = 10 V ±0.5 V
Measure → V(TP28(CHG_OK)) = 3 V to 4.5 V
Measure → V(TP21(REGN)) = 6 V ±1 V
Measure → V(TP22(ILIM_HIZ)) = 2.2 V
4. Write "0400" to charge current 0x02H.
Turn on load #1.
Measure → V(J6(VSYS)) = 8.4 V ±0.5 V
5. Turn on LOAD #2 (VBAT Load).
Measure → V(J5(VBAT)) = 7 V ±0.5 V
Measure → I(J5(VBAT)) = 2 A ±0.5 A

2.4.2 OTG Function

Use the following for OTG function settings:

1. Connect a 7-V power supply to the VBAT load. Remove the V_{IN} power supply from J1 (Connection must be physically removed from board).
2. Write "09C4" to the OTG voltage register.
3. Write "1000" to the OTG current registers.
4. Remove JP2 (Enable OTG/VAP function).
5. Select *EN_OTG* in *Charge Option 3*.
Measure → V(J1(V_{IN})) = 5 V ±1 V

Registers

Save Registers | Load Registers | Start Log | Write Register | Read Register | Auto Read: OFF | Update Mode: Immediate | Tgt Address: D6(6B) | Device ACK OK

Register Name	Address	Current Value	15	14	13	12	11	10	9	8	7	6	5	4	3	2	1	0
Charge Option 0	0x00	020A	0	0	0	0	0	0	1	0	0	0	0	0	1	0	1	0
Charge Current	0x02	0000	0	0	0	0	0	0	0	0	0	0	0	0	0	0	0	0
Max Charge Voltage	0x04	20D0	0	0	1	0	0	0	0	0	1	1	0	1	0	0	0	0
OTG Voltage	0x06	09C4	0	0	0	0	1	0	0	1	1	1	0	0	0	1	0	0
OTG Current	0x08	1000	0	0	0	1	0	0	0	0	0	0	0	0	0	0	0	0
Input Voltage	0x0A	3A80	0	0	1	1	1	0	1	0	1	0	0	0	0	0	0	0
Min System Voltage	0x0C	2400	0	0	1	0	0	1	0	0	0	0	0	0	0	0	0	0
IIN_HOST	0x0E	2000	0	0	1	0	0	0	0	0	0	0	0	0	0	0	0	0
Charger Status	0x20	8000	1	0	0	0	0	0	0	0	0	0	0	0	0	0	0	0
Prochot Status	0x22	B800	1	0	1	1	1	0	0	0	0	0	0	0	0	0	0	0
IIN_DPM	0x24	2000	0	0	1	0	0	0	0	0	0	0	0	0	0	0	0	0
ADC VBUS and PSYS	0x26	CB00	1	1	0	0	1	0	1	1	0	0	0	0	0	0	0	0
ADC IBAT	0x28	0000	0	0	0	0	0	0	0	0	0	0	0	0	0	0	0	0
ADC IIN and CMPIN	0x2A	0000	0	0	0	0	0	0	0	0	0	0	0	0	0	0	0	0
ADC VSYS and VBAT	0x2C	0000	0	0	0	0	0	0	0	0	0	0	0	0	0	0	0	0
Manufacture ID	0x2E	D540	1	1	0	1	0	1	0	1	0	1	0	0	0	0	0	0
Device ID	0x2F	00D5	0	0	0	0	0	0	0	0	1	1	0	1	0	1	0	1
Charge Option 1	0x30	3F00	0	0	1	1	1	1	1	1	0	0	0	0	0	0	0	0
Charge Option 2	0x32	00B7	0	0	0	0	0	0	0	0	0	1	0	1	1	0	1	1
Charge Option 3	0x34	1434	0	0	0	0	1	0	1	0	0	0	0	1	1	0	1	0
Prochot Option 0	0x36	4A09	0	1	0	0	1	0	1	0	0	0	0	0	1	0	0	1
Prochot Option 1	0x38	41A0	0	1	0	0	0	0	0	1	1	0	1	0	0	0	0	0
ADC Option	0x3A	2000	0	0	1	0	0	0	0	0	0	0	0	0	0	0	0	0
Charge Option 4	0x3C	0048	0	0	0	0	0	0	0	0	0	0	1	0	0	1	0	0
Vmin Active Protection	0x3E	0004	0	0	0	0	0	0	0	0	0	0	0	0	0	0	1	0

Charge Option 3

EN_HIZ

RESET_REG

RESET_VINDPM

EN_OTG

EN_ICO_MODE

EN_PORT_CTRL

VSYSMIN_SOFTSTART

EN_OTG_BIGCAP

BATFET_ENZ

EN_VBUS_VAP

OTG_VAP_MODE

IL_AVG: 15A

CMP_EN

BATFETOFF_HIZ: BATFET on in HIZ

PSYS_OTG_IDCHG: PSYS = PBAT - PVBUS

Figure 2-4. EN_OTG

3 Bill of Materials, Board Layout, and Schematics

This section contains the EVM BOM, board layout images, and schematics.

3.1 Bill of Materials

Table 3-1 lists the BQ2573X EVM bill of materials.

Table 3-1. BQ2573X EVM Bill of Materials

Designator	QTY	Value	Description	Package Reference	Part Number	Manufacturer
!PCB1	1		Printed Circuit Board		BMS051	Any
C3, C4, C5, C6, C7, C8, C9, C10, C21, C23, C24, C40, C42, C43, C44, C45, C51, C52	18	10uF	CAP, CERM, 10 uF, 35 V, +/- 10%, X5R, 0805	805	GRM21BR6YA106KE43L	MuRata
C11, C12, C41	3	0.01uF	CAP, CERM, 0.01 uF, 50 V, +/- 5%, X7R, 0603	603	C0603C103J5RACTU	Kemet
C15, C16	2	0.047uF	CAP, CERM, 0.047 uF, 25 V, +/- 10%, X7R, 0603	603	GRM188R71E473KA01D	MuRata
C17	1	1000pF	CAP, CERM, 1000 pF, 50 V, +/- 5%, C0G/NP0, 0402	402	C1005NP01H102J050BA	TDK
C18, C28, C29	3	1uF	CAP, CERM, 1 uF, 35 V, +/- 10%, X7R, 0603	603	CGA3E1X7R1V105K080AC	TDK
C19, C20	2	150pF	CAP, CERM, 150 pF, 50 V, +/- 5%, C0G/NP0, 0603	603	C0603C151J5GACTU	Kemet
C22, C27, C38, C39	4	0.1uF	CAP, CERM, 0.1 uF, 50 V, +/- 10%, X7R, 0603	603	CGA3E2X7R1H104K080AA	TDK
C25	1	0.47uF	CAP, CERM, 0.47 uF, 50 V, +/- 10%, X7R, 0805	805	C2012X7R1H474K125AB	TDK
C26, C55	2	10uF	CAP, CERM, 10 uF, 25 V, +/- 10%, X7R, 1206	1206	GRM31CR71E106KA12L	MuRata
C30	1	2.2uF	CAP, CERM, 2.2 uF, 35 V, +/- 10%, X5R, 0603	603	GRM188R6YA225KA12D	MuRata
C31	1	33pF	CAP, CERM, 33 pF, 50 V, +/- 5%, C0G/NP0, 0402	402	GRM1555C1H330JA01D	MuRata
C32	1	680pF	CAP, CERM, 680 pF, 50 V, +/- 5%, C0G/NP0, 0402	402	GRM1555C1H681JA01D	MuRata
C33	1	4700pF	CAP, CERM, 4700 pF, 50 V, +/- 10%, X7R, 0402	402	GRM155R71H472KA01D	MuRata
C34	1	15pF	CAP, CERM, 15 pF, 50 V, +/- 5%, C0G/NP0, 0402	402	GRM1555C1H150JA01D	MuRata
C35, C36, C37	3	100pF	CAP, CERM, 100 pF, 50 V, +/- 5%, C0G/NP0, 0603	603	C0603C101J5GAC	Kemet
C46, C47	2	0.033uF	CAP, CERM, 0.033 uF, 50 V, +/- 10%, X7R, 0603	603	GRM188R71H333KA61D	MuRata
C48, C49, C53	3	33uF	CAP, TA, 33 uF, 35 V, +/- 20%, 0.065 ohm, SMD	7343-31	T521D336M035ATE065	Kemet
D2, D3	2	30V	Diode, Schottky, 30 V, 0.2 A, SOD-323	SOD-323	BAT54HT1G	ON Semiconductor
D4	1	Green	LED, Green, SMD	1.6x0.8x0.8mm	LTST-C190GKT	Lite-On
H1, H2, H3, H4	4		Bumpon, Hemisphere, 0.44 X 0.20, Clear	Transparent Bumpon	SJ-5303 (CLEAR)	3M
J1, J5, J6	3		Terminal Block, 5.08 mm, 2x1, Brass, TH	2x1 5.08 mm Terminal Block	ED120/2DS	On-Shore Technology
J2	1		Terminal Block, 3.5mm Pitch, 4x1, TH	14x8.2x6.5mm	ED555/4DS	On-Shore Technology
J3	1		Connector Header Through Hole, Right Angle 4 position 0.100" (2.54mm)	HDR4	22053041	Molex
J4	1		Terminal Block, 3.5mm Pitch, 3x1, TH	10.5x8.2x6.5mm	ED555/3DS	On-Shore Technology
J7	1		Header (shrouded), 100mil, 5x2, High-Temperature, Gold, TH	5x2 Shrouded header	N2510-6002-RB	3M
JP2, JP4, JP6, JP8	4		Header, 100mil, 2x1, Gold, TH	Header, 2x1, 100mil	5-146261-1	TE Connectivity
JP3	1		Header, 100mil, 5x2, Gold, TH	5x2 Header	TSW-105-07-G-D	Samtec

Table 3-1. BQ2573X EVM Bill of Materials (continued)

Designator	QTY	Value	Description	Package Reference	Part Number	Manufacturer
L1	1		4.7µH Shielded Wirewound Inductor 13A 9mOhm Max 10x10x4mm	SMT_IND_11MM2_10MM1	BMQADY1010404R7MA1	Chilisin Electronics
LBL1	1		Thermal Transfer Printable Labels, 0.650" W x 0.200" H - 10,000 per roll	PCB Label 0.650 x 0.200 inch	THT-14-423-10	Brady
Q1, Q2, Q3, Q4	4	30V	MOSFET, N-CH, 30 V, 27 A, DFN5x6	DFN5x6	AON6362	AOS
Q5	1	-30V	MOSFET, P-CH, -30 V, -85 A, DFN5x6	DFN5x6	AON6407	AOS
Q6, Q7	2	-30V	MOSFET, P-CH, -30 V, -8.5 A, AEC-Q101, 8-PowerVDFN	8-PowerVDFN	DMP3035SFG-7	Diodes Inc.
Q9	1	50 V	Transistor, NPN/PNP Pair, 50 V, 0.05 A, SC-74R	SC-74R	DCX124EK-7-F	Diodes Inc.
Q10, Q11, Q12	3	60V	MOSFET, N-CH, 60 V, 0.26 A, SOT-23	SOT-23	2N7002ET1G	ON Semiconductor
R1, R2	2	0.005	RES, 0.005, 1%, 1 W, AEC-Q200 Grade 0, 1206	1206	WSLP12065L000FEA	Vishay-Dale
R3, R4	2	3.9	RES, 3.9, 5%, 0.25 W, AEC-Q200 Grade 0, 1206	1206	CRCW12063R90JNEA	Vishay-Dale
R7, R24, R29	3	300k	RES, 300 k, 1%, 0.1 W, AEC-Q200 Grade 0, 0603	603	CRCW0603300KFKEA	Vishay-Dale
R8	1	0	RES, 0, 1%, 0.5 W, 0805	805	5106	Keystone
R9, R28	2	100k	RES, 100 k, 1%, 0.1 W, 0603	603	RC0603FR-07100KL	Yageo
R10, R38	2	10	RES, 10.0, 1%, 0.25 W, AEC-Q200 Grade 0, 1206	1206	ERJ-8ENF10R0V	Panasonic
R11, R12	2	4.99	RES, 4.99, 1%, 0.1 W, AEC-Q200 Grade 0, 0603	603	CRCW06034R99FKEA	Vishay-Dale
R13	1	1	RES, 1.0, 5%, 0.125 W, AEC-Q200 Grade 0, 0805	805	CRCW08051R00JNEA	Vishay-Dale
R14	1	20k	RES, 20 k, 5%, 0.1 W, AEC-Q200 Grade 0, 0603	603	CRCW060320K0JNEA	Vishay-Dale
R15, R16, R18	3	10	RES, 10, 5%, 0.1 W, AEC-Q200 Grade 0, 0603	603	CRCW060310R0JNEA	Vishay-Dale
R17, R25, R32, R33, R35, R39, R45	7	10.0k	RES, 10.0 k, 1%, 0.1 W, AEC-Q200 Grade 0, 0603	603	CRCW060310K0FKEA	Vishay-Dale
R19	1	383k	RES, 383 k, 1%, 0.1 W, AEC-Q200 Grade 0, 0603	603	CRCW0603383KFKEA	Vishay-Dale
R20	1	82k	RES, 82 k, 5%, 0.1 W, AEC-Q200 Grade 0, 0603	603	CRCW060382K0JNEA	Vishay-Dale
R21	1	1.00k	RES, 1.00 k, 1%, 0.1 W, AEC-Q200 Grade 0, 0603	603	CRCW06031K00FKEA	Vishay-Dale
R22	1	40.2k	RES, 40.2 k, 1%, 0.063 W, AEC-Q200 Grade 0, 0402	402	CRCW040240K2FKED	Vishay-Dale
R23	1	15.0k	RES, 15.0 k, 1%, 0.063 W, AEC-Q200 Grade 0, 0402	402	CRCW040215K0FKED	Vishay-Dale
R27	1	220k	RES, 220 k, 1%, 0.1 W, 0603	603	RC0603FR-07220KL	Yageo
R30	1	191k	RES, 191 k, 1%, 0.1 W, AEC-Q200 Grade 0, 0603	603	CRCW0603191KFKEA	Vishay-Dale
R34	1	30.1k	RES, 30.1 k, 1%, 0.1 W, AEC-Q200 Grade 0, 0603	603	CRCW060330K1FKEA	Vishay-Dale
R36	1	2.00k	RES, 2.00 k, 1%, 0.1 W, AEC-Q200 Grade 0, 0603	603	CRCW06032K00FKEA	Vishay-Dale
R40	1	2.0Meg	RES, 2.0 M, 5%, 0.1 W, AEC-Q200 Grade 0, 0603	603	CRCW06032M00JNEA	Vishay-Dale
R41	1	150k	RES, 150 k, 5%, 0.1 W, AEC-Q200 Grade 0, 0603	603	CRCW0603150KJNEA	Vishay-Dale
R42	1	33k	RES, 33 k, 5%, 0.1 W, AEC-Q200 Grade 0, 0603	603	CRCW060333K0JNEA	Vishay-Dale
SH-JP2, SH-JP3, SH-JP8	3	1x2	Shunt, 100mil, Gold plated, Black	Shunt	SNT-100-BK-G	Samtec

Table 3-1. BQ2573X EVM Bill of Materials (continued)

Designator	QTY	Value	Description	Package Reference	Part Number	Manufacturer
TP2, TP3, TP12, TP15, TP16, TP17, TP18, TP19, TP20, TP21, TP22, TP23, TP24, TP25, TP26, TP27, TP28, TP29, TP30, TP32, TP33, TP34, TP35, TP36, TP37, TP38	26	SMT	Test Point, Miniature, SMT	Testpoint_Keystone_Miniatu re	5015	Keystone
TP4, TP5, TP9	3		Test Point, Multipurpose, Red, TH	Red Multipurpose Testpoint	5010	Keystone
TP6, TP7, TP10, TP11, TP13, TP14	6	White	Test Point, Miniature, White, TH	White Miniature Testpoint	5002	Keystone
TP8, TP31, TP39	3		Test Point, Multipurpose, Black, TH	Black Multipurpose Testpoint	5011	Keystone
U1	1		I2C 1- to 5-Cell Narrow VDC Buck-Boost Battery Charge Controller	WQFN32	BQ25730RSN for BQ25730EVM; BQ25731RSN for BQ25731EVM	Texas Instruments
U2	1		100 mA, Quasi Low-Dropout Linear Voltage Regulator, 3-pin SOT-23, Pb-Free	DBZ0003A	LM3480IM3-3.3/NOPB	Texas Instruments
Z1	1	26V	Diode, TVS, Bi, 26 V, 42.1 Vc, 400 W, 9.5 A, SMA (non-polarized)	SMA (non-polarized)	SMAJ26CA	Littelfuse
C2	0	47uF	CAP, Aluminum Polymer, 47 uF, 25 V, +/- 20%, 0.03 ohm, F61 SMD	F61	25SVPF47M	Panasonic
C13, C14	0	330pF	CAP, CERM, 330 pF, 50 V, +/- 10%, X7R, 0603	603	GRM188R71H331KA01D	MuRata
C50, C54, C56	0	33uF	CAP, TA, 33 uF, 35 V, +/- 20%, 0.065 ohm, SMD	7343-31	T521D336M035ATE065	Kemet
C57	0	0.068uF	CAP, CERM, 0.068 uF, 50 V, +/- 10%, X7R, AEC-Q200 Grade 1, 0402	402	CGA2B3X7R1H683K050BB	TDK
C58, C59	0	0.018uF	CAP, CERM, 0.018 uF, 50 V, +/- 10%, X7R, 0603	603	GRM188R71H183KA01D	MuRata
D1	0	20V	Diode, Schottky, 20 V, 2 A, SMA	SMA	B220A-13-F	Diodes Inc.
FID1, FID2, FID3, FID4, FID5, FID6	0		Fiducial mark. There is nothing to buy or mount.	N/A	N/A	N/A
R5, R6	0	56	RES, 56, 5%, 0.1 W, AEC-Q200 Grade 0, 0603	603	CRCW060356R0JNEA	Vishay-Dale
R31	0	100	RES, 100, 1%, 0.1 W, AEC-Q200 Grade 0, 0603	603	CRCW0603100RFKEA	Vishay-Dale
R37	0	10.0k	RES, 10.0 k, 1%, 0.1 W, AEC-Q200 Grade 0, 0603	603	CRCW060310K0FKEA	Vishay-Dale
R43, R46	0	0	RES, 0, 1%, 0.5 W, 0805	805	5106	Keystone
R44	0	100k	RES, 100 k, 1%, 0.1 W, AEC-Q200 Grade 0, 0603	603	CRCW0603100KFKEA	Vishay-Dale
SH-JP4, SH-JP6	0	1x2	Shunt, 100mil, Gold plated, Black	Shunt	SNT-100-BK-G	Samtec

1. For BQ25730EVM, Install Q5 and do not install R46; For BQ25731EVM, Install R46 and do not install Q5.

3.2 Board Assembly Layout

Figure 3-1 and Figure 3-6 illustrate the board assembly layout images.

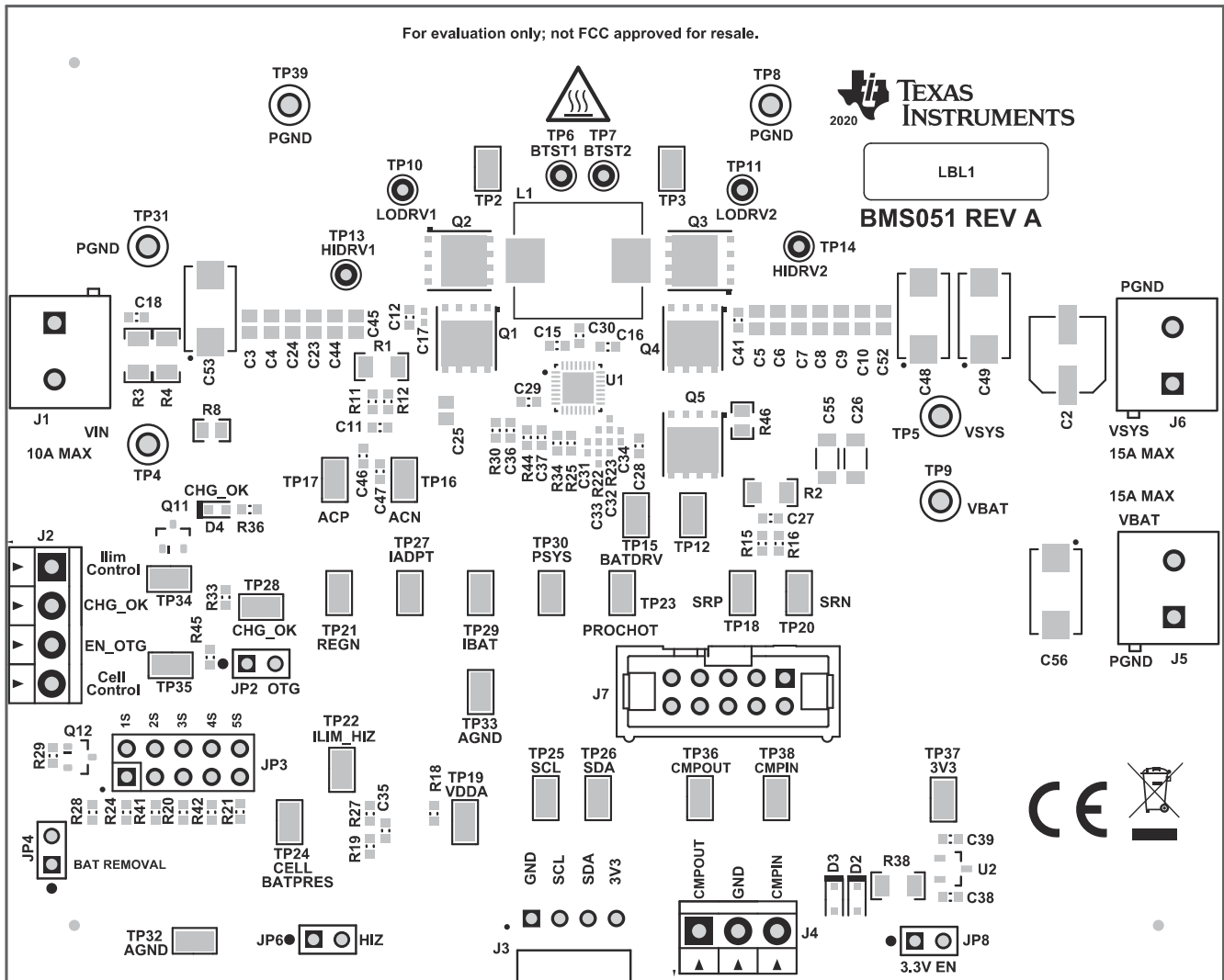


Figure 3-1. Top Assembly

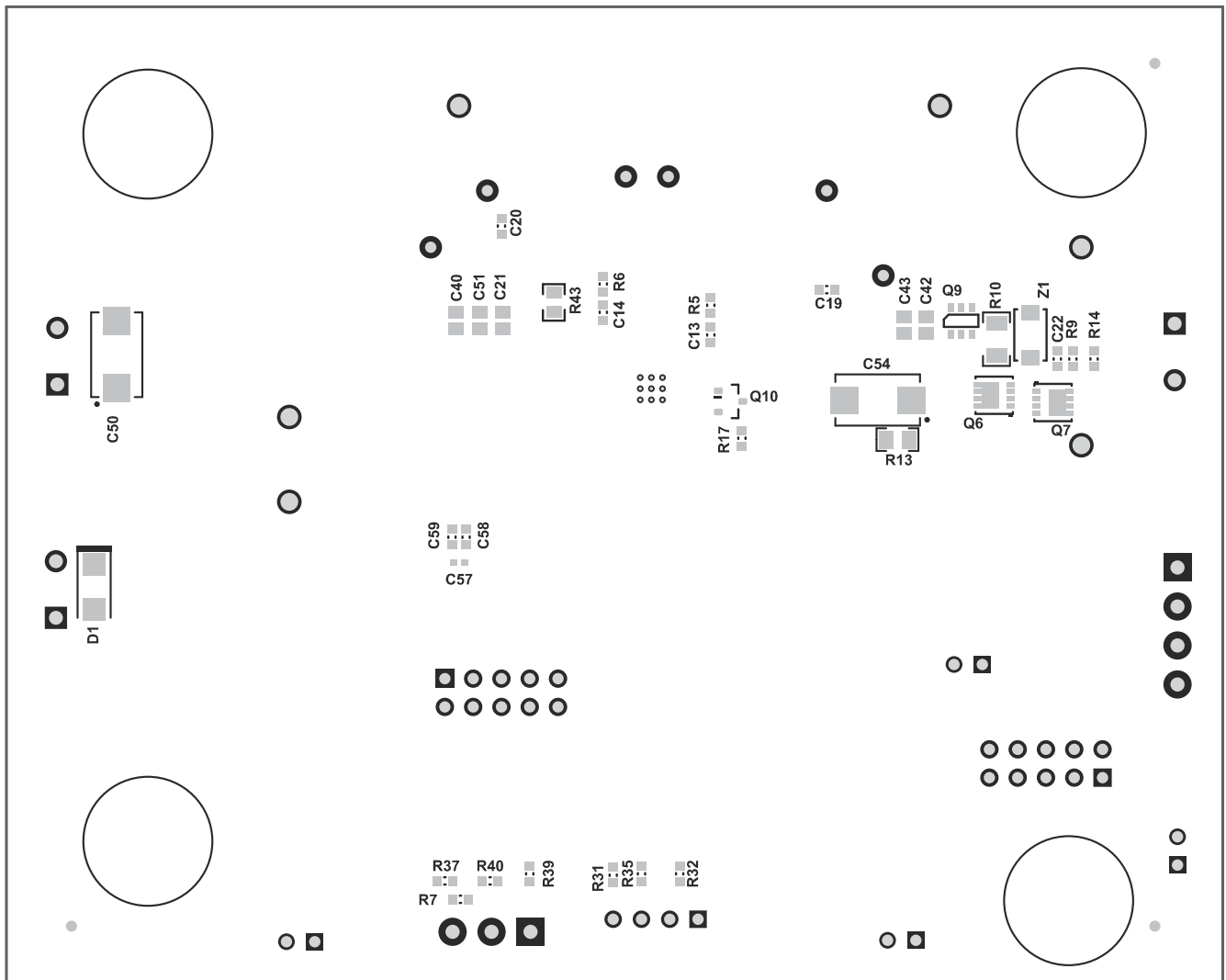


Figure 3-2. Bottom Assembly

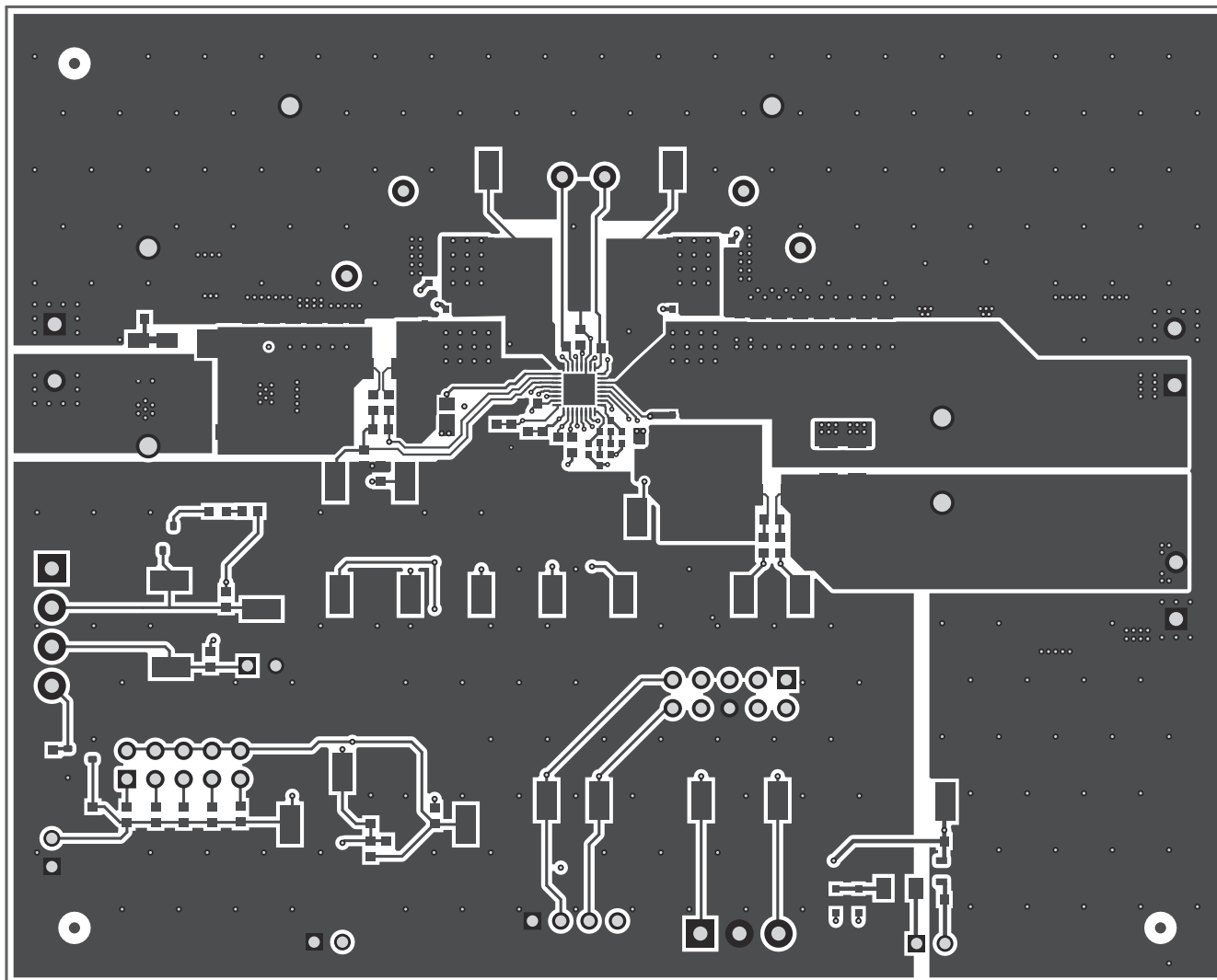


Figure 3-3. PCB Layer 1

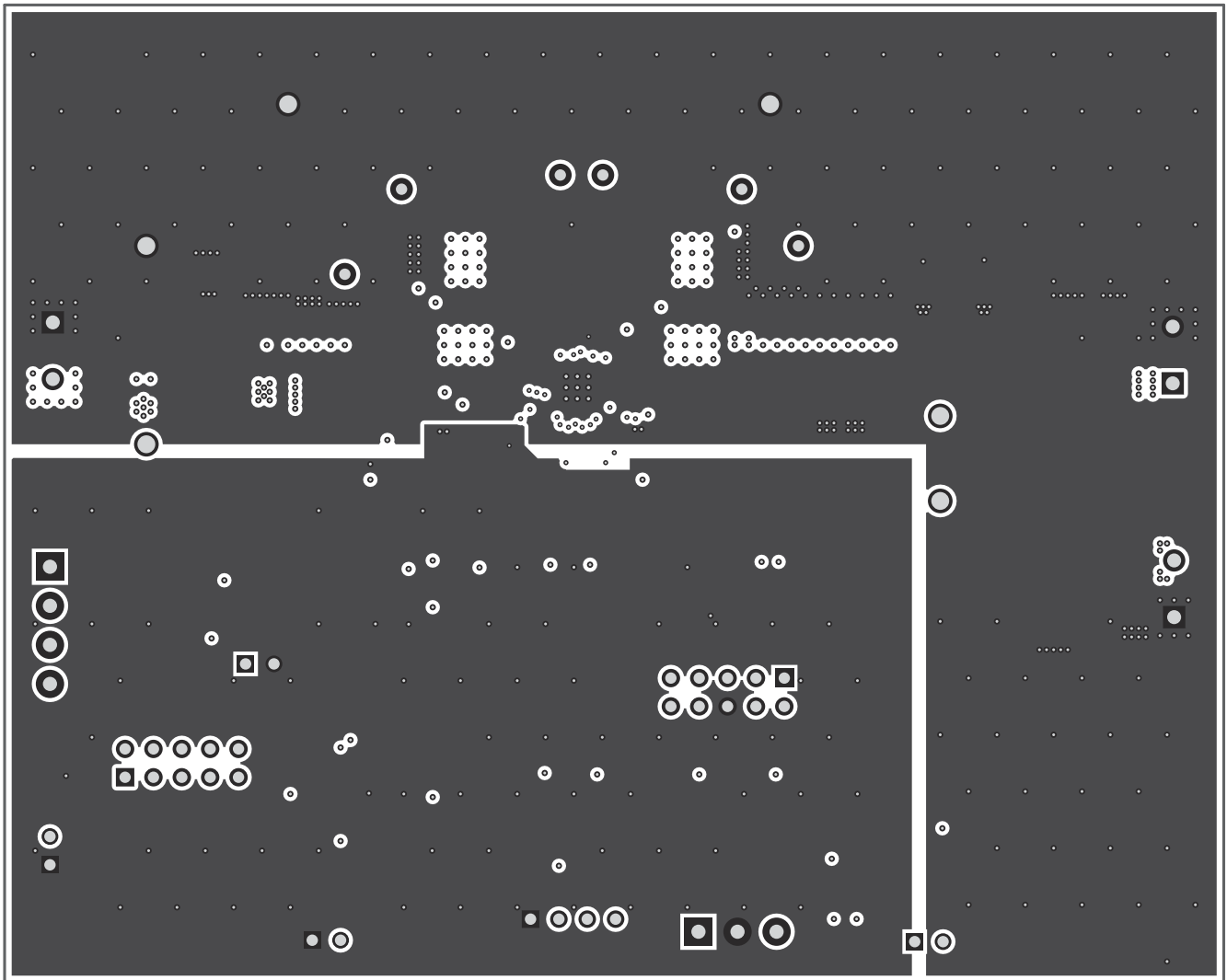


Figure 3-4. PCB Layer 2

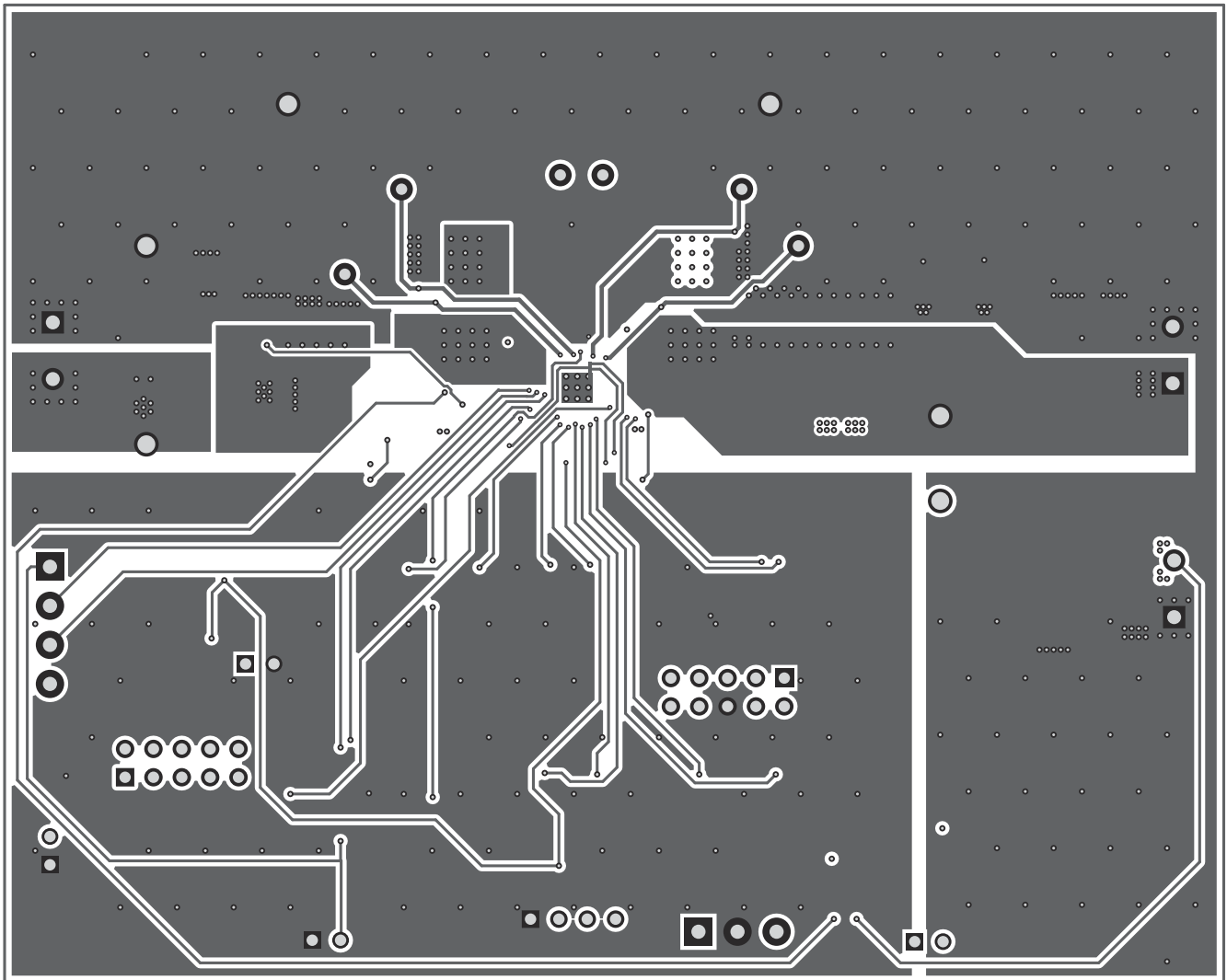


Figure 3-5. PCB Layer 3

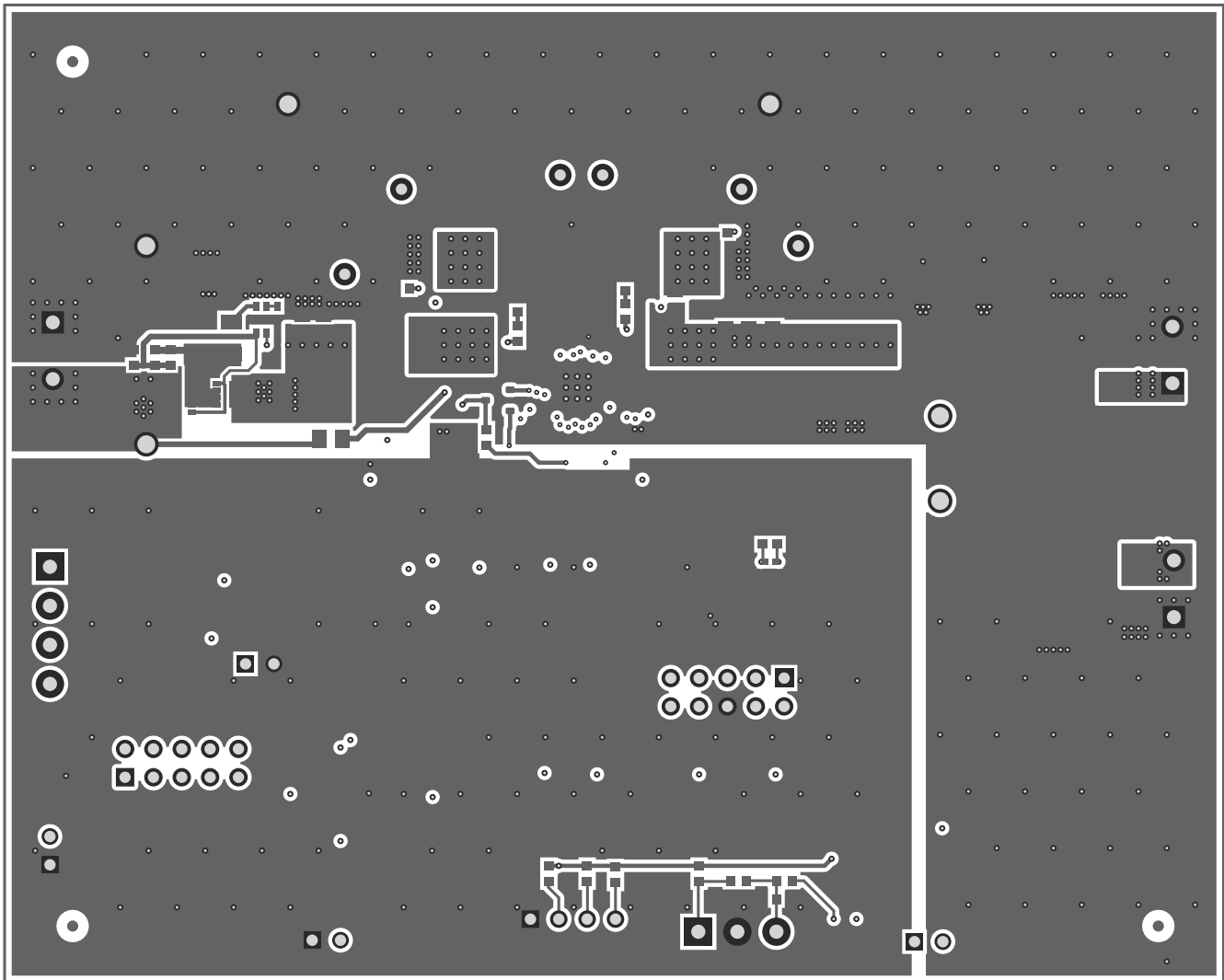


Figure 3-6. PCB Layer 4

3.3 Schematic

Figure 3-7 and Figure 3-8 show the EVM schematics.

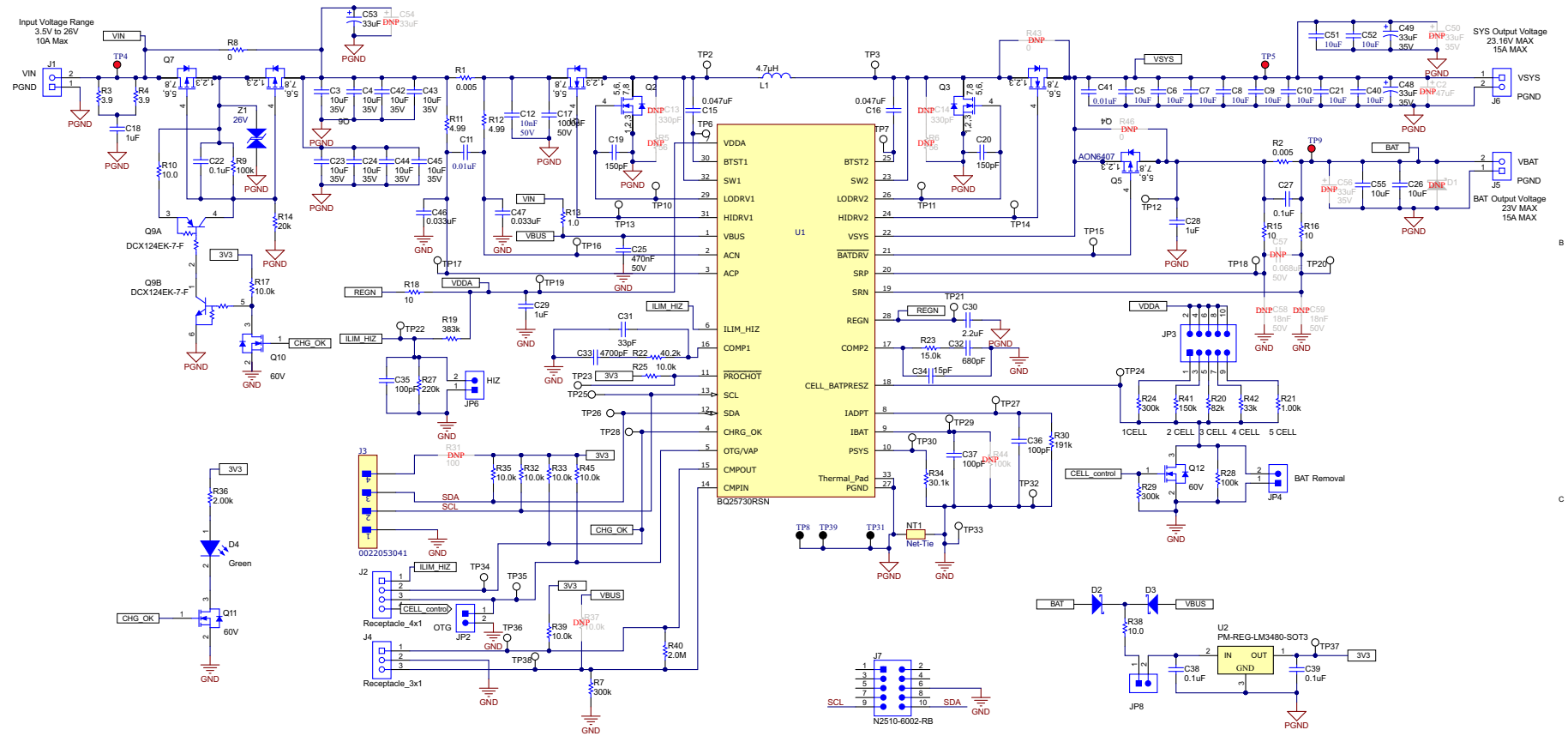


Figure 3-7. BQ25730 EVM Schematic

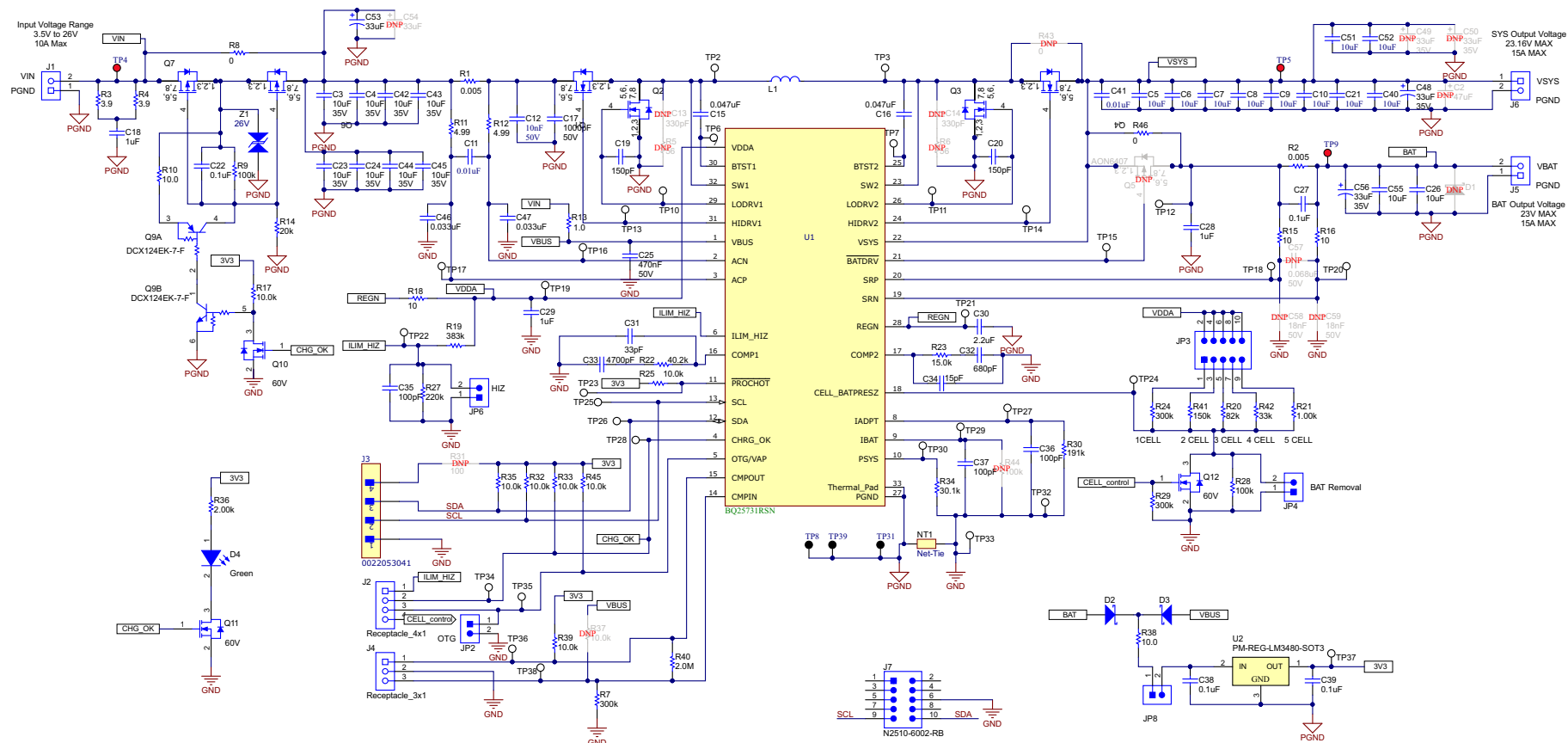


Figure 3-8. BQ25731 EVM Schematic

1. DNP means "Do Not Populate".

Revision History

NOTE: Page numbers for previous revisions may differ from page numbers in the current version.

Changes from Revision * (June 2020) to Revision A (January 2021)	Page
• Updated the numbering format for tables, figures and cross-references throughout the document.....	1
• Updated all figures.....	1

STANDARD TERMS FOR EVALUATION MODULES

1. *Delivery:* TI delivers TI evaluation boards, kits, or modules, including any accompanying demonstration software, components, and/or documentation which may be provided together or separately (collectively, an "EVM" or "EVMs") to the User ("User") in accordance with the terms set forth herein. User's acceptance of the EVM is expressly subject to the following terms.
 - 1.1 EVMs are intended solely for product or software developers for use in a research and development setting to facilitate feasibility evaluation, experimentation, or scientific analysis of TI semiconductor products. EVMs have no direct function and are not finished products. EVMs shall not be directly or indirectly assembled as a part or subassembly in any finished product. For clarification, any software or software tools provided with the EVM ("Software") shall not be subject to the terms and conditions set forth herein but rather shall be subject to the applicable terms that accompany such Software
 - 1.2 EVMs are not intended for consumer or household use. EVMs may not be sold, sublicensed, leased, rented, loaned, assigned, or otherwise distributed for commercial purposes by Users, in whole or in part, or used in any finished product or production system.
2. *Limited Warranty and Related Remedies/Disclaimers:*
 - 2.1 These terms do not apply to Software. The warranty, if any, for Software is covered in the applicable Software License Agreement.
 - 2.2 TI warrants that the TI EVM will conform to TI's published specifications for ninety (90) days after the date TI delivers such EVM to User. Notwithstanding the foregoing, TI shall not be liable for a nonconforming EVM if (a) the nonconformity was caused by neglect, misuse or mistreatment by an entity other than TI, including improper installation or testing, or for any EVMs that have been altered or modified in any way by an entity other than TI, (b) the nonconformity resulted from User's design, specifications or instructions for such EVMs or improper system design, or (c) User has not paid on time. Testing and other quality control techniques are used to the extent TI deems necessary. TI does not test all parameters of each EVM. User's claims against TI under this Section 2 are void if User fails to notify TI of any apparent defects in the EVMs within ten (10) business days after delivery, or of any hidden defects with ten (10) business days after the defect has been detected.
 - 2.3 TI's sole liability shall be at its option to repair or replace EVMs that fail to conform to the warranty set forth above, or credit User's account for such EVM. TI's liability under this warranty shall be limited to EVMs that are returned during the warranty period to the address designated by TI and that are determined by TI not to conform to such warranty. If TI elects to repair or replace such EVM, TI shall have a reasonable time to repair such EVM or provide replacements. Repaired EVMs shall be warranted for the remainder of the original warranty period. Replaced EVMs shall be warranted for a new full ninety (90) day warranty period.

WARNING

Evaluation Kits are intended solely for use by technically qualified, professional electronics experts who are familiar with the dangers and application risks associated with handling electrical mechanical components, systems, and subsystems.

User shall operate the Evaluation Kit within TI's recommended guidelines and any applicable legal or environmental requirements as well as reasonable and customary safeguards. Failure to set up and/or operate the Evaluation Kit within TI's recommended guidelines may result in personal injury or death or property damage. Proper set up entails following TI's instructions for electrical ratings of interface circuits such as input, output and electrical loads.

NOTE:

EXPOSURE TO ELECTROSTATIC DISCHARGE (ESD) MAY CAUSE DEGRADATION OR FAILURE OF THE EVALUATION KIT; TI RECOMMENDS STORAGE OF THE EVALUATION KIT IN A PROTECTIVE ESD BAG.

3 Regulatory Notices:

3.1 United States

3.1.1 Notice applicable to EVMs not FCC-Approved:

FCC NOTICE: This kit is designed to allow product developers to evaluate electronic components, circuitry, or software associated with the kit to determine whether to incorporate such items in a finished product and software developers to write software applications for use with the end product. This kit is not a finished product and when assembled may not be resold or otherwise marketed unless all required FCC equipment authorizations are first obtained. Operation is subject to the condition that this product not cause harmful interference to licensed radio stations and that this product accept harmful interference. Unless the assembled kit is designed to operate under part 15, part 18 or part 95 of this chapter, the operator of the kit must operate under the authority of an FCC license holder or must secure an experimental authorization under part 5 of this chapter.

3.1.2 For EVMs annotated as FCC – FEDERAL COMMUNICATIONS COMMISSION Part 15 Compliant:

CAUTION

This device complies with part 15 of the FCC Rules. Operation is subject to the following two conditions: (1) This device may not cause harmful interference, and (2) this device must accept any interference received, including interference that may cause undesired operation.

Changes or modifications not expressly approved by the party responsible for compliance could void the user's authority to operate the equipment.

FCC Interference Statement for Class A EVM devices

NOTE: This equipment has been tested and found to comply with the limits for a Class A digital device, pursuant to part 15 of the FCC Rules. These limits are designed to provide reasonable protection against harmful interference when the equipment is operated in a commercial environment. This equipment generates, uses, and can radiate radio frequency energy and, if not installed and used in accordance with the instruction manual, may cause harmful interference to radio communications. Operation of this equipment in a residential area is likely to cause harmful interference in which case the user will be required to correct the interference at his own expense.

FCC Interference Statement for Class B EVM devices

NOTE: This equipment has been tested and found to comply with the limits for a Class B digital device, pursuant to part 15 of the FCC Rules. These limits are designed to provide reasonable protection against harmful interference in a residential installation. This equipment generates, uses and can radiate radio frequency energy and, if not installed and used in accordance with the instructions, may cause harmful interference to radio communications. However, there is no guarantee that interference will not occur in a particular installation. If this equipment does cause harmful interference to radio or television reception, which can be determined by turning the equipment off and on, the user is encouraged to try to correct the interference by one or more of the following measures:

- Reorient or relocate the receiving antenna.
- Increase the separation between the equipment and receiver.
- Connect the equipment into an outlet on a circuit different from that to which the receiver is connected.
- Consult the dealer or an experienced radio/TV technician for help.

3.2 Canada

3.2.1 For EVMs issued with an Industry Canada Certificate of Conformance to RSS-210 or RSS-247

Concerning EVMs Including Radio Transmitters:

This device complies with Industry Canada license-exempt RSSs. Operation is subject to the following two conditions:

(1) this device may not cause interference, and (2) this device must accept any interference, including interference that may cause undesired operation of the device.

Concernant les EVMs avec appareils radio:

Le présent appareil est conforme aux CNR d'Industrie Canada applicables aux appareils radio exempts de licence. L'exploitation est autorisée aux deux conditions suivantes: (1) l'appareil ne doit pas produire de brouillage, et (2) l'utilisateur de l'appareil doit accepter tout brouillage radioélectrique subi, même si le brouillage est susceptible d'en compromettre le fonctionnement.

Concerning EVMs Including Detachable Antennas:

Under Industry Canada regulations, this radio transmitter may only operate using an antenna of a type and maximum (or lesser) gain approved for the transmitter by Industry Canada. To reduce potential radio interference to other users, the antenna type and its gain should be so chosen that the equivalent isotropically radiated power (e.i.r.p.) is not more than that necessary for successful communication. This radio transmitter has been approved by Industry Canada to operate with the antenna types listed in the user guide with the maximum permissible gain and required antenna impedance for each antenna type indicated. Antenna types not included in this list, having a gain greater than the maximum gain indicated for that type, are strictly prohibited for use with this device.

Concernant les EVMs avec antennes détachables

Conformément à la réglementation d'Industrie Canada, le présent émetteur radio peut fonctionner avec une antenne d'un type et d'un gain maximal (ou inférieur) approuvé pour l'émetteur par Industrie Canada. Dans le but de réduire les risques de brouillage radioélectrique à l'intention des autres utilisateurs, il faut choisir le type d'antenne et son gain de sorte que la puissance isotrope rayonnée équivalente (p.i.r.e.) ne dépasse pas l'intensité nécessaire à l'établissement d'une communication satisfaisante. Le présent émetteur radio a été approuvé par Industrie Canada pour fonctionner avec les types d'antenne énumérés dans le manuel d'usage et ayant un gain admissible maximal et l'impédance requise pour chaque type d'antenne. Les types d'antenne non inclus dans cette liste, ou dont le gain est supérieur au gain maximal indiqué, sont strictement interdits pour l'exploitation de l'émetteur.

3.3 Japan

3.3.1 *Notice for EVMs delivered in Japan:* Please see http://www.tij.co.jp/lstds/ti_ja/general/eStore/notice_01.page 日本国内に輸入される評価用キット、ボードについては、次のところをご覧ください。
http://www.tij.co.jp/lstds/ti_ja/general/eStore/notice_01.page

3.3.2 *Notice for Users of EVMs Considered "Radio Frequency Products" in Japan:* EVMs entering Japan may not be certified by TI as conforming to Technical Regulations of Radio Law of Japan.

If User uses EVMs in Japan, not certified to Technical Regulations of Radio Law of Japan, User is required to follow the instructions set forth by Radio Law of Japan, which includes, but is not limited to, the instructions below with respect to EVMs (which for the avoidance of doubt are stated strictly for convenience and should be verified by User):

1. Use EVMs in a shielded room or any other test facility as defined in the notification #173 issued by Ministry of Internal Affairs and Communications on March 28, 2006, based on Sub-section 1.1 of Article 6 of the Ministry's Rule for Enforcement of Radio Law of Japan,
2. Use EVMs only after User obtains the license of Test Radio Station as provided in Radio Law of Japan with respect to EVMs, or
3. Use of EVMs only after User obtains the Technical Regulations Conformity Certification as provided in Radio Law of Japan with respect to EVMs. Also, do not transfer EVMs, unless User gives the same notice above to the transferee. Please note that if User does not follow the instructions above, User will be subject to penalties of Radio Law of Japan.

【無線電波を送信する製品の開発キットをお使いになる際の注意事項】 開発キットの中には技術基準適合証明を受けていないものがあります。技術適合証明を受けていないものご使用に際しては、電波法遵守のため、以下のいずれかの措置を取っていただく必要がありますのでご注意ください。

1. 電波法施行規則第6条第1項第1号に基づく平成18年3月28日総務省告示第173号で定められた電波暗室等の試験設備でご使用いただく。
2. 実験局の免許を取得後ご使用いただく。
3. 技術基準適合証明を取得後ご使用いただく。

なお、本製品は、上記の「ご使用にあたっての注意」を譲渡先、移転先に通知しない限り、譲渡、移転できないものとします。

上記を遵守頂けない場合は、電波法の罰則が適用される可能性があることをご留意ください。日本テキサス・インスツルメンツ株式会社
東京都新宿区西新宿 6 丁目 2 4 番 1 号
西新宿三井ビル

3.3.3 *Notice for EVMs for Power Line Communication:* Please see http://www.tij.co.jp/lstds/ti_ja/general/eStore/notice_02.page 電力線搬送波通信についての開発キットをお使いになる際の注意事項については、次のところをご覧ください。
http://www.tij.co.jp/lstds/ti_ja/general/eStore/notice_02.page

3.4 European Union

3.4.1 *For EVMs subject to EU Directive 2014/30/EU (Electromagnetic Compatibility Directive):*

This is a class A product intended for use in environments other than domestic environments that are connected to a low-voltage power-supply network that supplies buildings used for domestic purposes. In a domestic environment this product may cause radio interference in which case the user may be required to take adequate measures.

-
- 4 *EVM Use Restrictions and Warnings:*
 - 4.1 EVMS ARE NOT FOR USE IN FUNCTIONAL SAFETY AND/OR SAFETY CRITICAL EVALUATIONS, INCLUDING BUT NOT LIMITED TO EVALUATIONS OF LIFE SUPPORT APPLICATIONS.
 - 4.2 User must read and apply the user guide and other available documentation provided by TI regarding the EVM prior to handling or using the EVM, including without limitation any warning or restriction notices. The notices contain important safety information related to, for example, temperatures and voltages.
 - 4.3 *Safety-Related Warnings and Restrictions:*
 - 4.3.1 User shall operate the EVM within TI's recommended specifications and environmental considerations stated in the user guide, other available documentation provided by TI, and any other applicable requirements and employ reasonable and customary safeguards. Exceeding the specified performance ratings and specifications (including but not limited to input and output voltage, current, power, and environmental ranges) for the EVM may cause personal injury or death, or property damage. If there are questions concerning performance ratings and specifications, User should contact a TI field representative prior to connecting interface electronics including input power and intended loads. Any loads applied outside of the specified output range may also result in unintended and/or inaccurate operation and/or possible permanent damage to the EVM and/or interface electronics. Please consult the EVM user guide prior to connecting any load to the EVM output. If there is uncertainty as to the load specification, please contact a TI field representative. During normal operation, even with the inputs and outputs kept within the specified allowable ranges, some circuit components may have elevated case temperatures. These components include but are not limited to linear regulators, switching transistors, pass transistors, current sense resistors, and heat sinks, which can be identified using the information in the associated documentation. When working with the EVM, please be aware that the EVM may become very warm.
 - 4.3.2 EVMs are intended solely for use by technically qualified, professional electronics experts who are familiar with the dangers and application risks associated with handling electrical mechanical components, systems, and subsystems. User assumes all responsibility and liability for proper and safe handling and use of the EVM by User or its employees, affiliates, contractors or designees. User assumes all responsibility and liability to ensure that any interfaces (electronic and/or mechanical) between the EVM and any human body are designed with suitable isolation and means to safely limit accessible leakage currents to minimize the risk of electrical shock hazard. User assumes all responsibility and liability for any improper or unsafe handling or use of the EVM by User or its employees, affiliates, contractors or designees.
 - 4.4 User assumes all responsibility and liability to determine whether the EVM is subject to any applicable international, federal, state, or local laws and regulations related to User's handling and use of the EVM and, if applicable, User assumes all responsibility and liability for compliance in all respects with such laws and regulations. User assumes all responsibility and liability for proper disposal and recycling of the EVM consistent with all applicable international, federal, state, and local requirements.
 5. *Accuracy of Information:* To the extent TI provides information on the availability and function of EVMs, TI attempts to be as accurate as possible. However, TI does not warrant the accuracy of EVM descriptions, EVM availability or other information on its websites as accurate, complete, reliable, current, or error-free.
 6. *Disclaimers:*
 - 6.1 EXCEPT AS SET FORTH ABOVE, EVMS AND ANY MATERIALS PROVIDED WITH THE EVM (INCLUDING, BUT NOT LIMITED TO, REFERENCE DESIGNS AND THE DESIGN OF THE EVM ITSELF) ARE PROVIDED "AS IS" AND "WITH ALL FAULTS." TI DISCLAIMS ALL OTHER WARRANTIES, EXPRESS OR IMPLIED, REGARDING SUCH ITEMS, INCLUDING BUT NOT LIMITED TO ANY EPIDEMIC FAILURE WARRANTY OR IMPLIED WARRANTIES OF MERCHANTABILITY OR FITNESS FOR A PARTICULAR PURPOSE OR NON-INFRINGEMENT OF ANY THIRD PARTY PATENTS, COPYRIGHTS, TRADE SECRETS OR OTHER INTELLECTUAL PROPERTY RIGHTS.
 - 6.2 EXCEPT FOR THE LIMITED RIGHT TO USE THE EVM SET FORTH HEREIN, NOTHING IN THESE TERMS SHALL BE CONSTRUED AS GRANTING OR CONFERRING ANY RIGHTS BY LICENSE, PATENT, OR ANY OTHER INDUSTRIAL OR INTELLECTUAL PROPERTY RIGHT OF TI, ITS SUPPLIERS/LICENSORS OR ANY OTHER THIRD PARTY, TO USE THE EVM IN ANY FINISHED END-USER OR READY-TO-USE FINAL PRODUCT, OR FOR ANY INVENTION, DISCOVERY OR IMPROVEMENT, REGARDLESS OF WHEN MADE, CONCEIVED OR ACQUIRED.
 7. *USER'S INDEMNITY OBLIGATIONS AND REPRESENTATIONS.* USER WILL DEFEND, INDEMNIFY AND HOLD TI, ITS LICENSORS AND THEIR REPRESENTATIVES HARMLESS FROM AND AGAINST ANY AND ALL CLAIMS, DAMAGES, LOSSES, EXPENSES, COSTS AND LIABILITIES (COLLECTIVELY, "CLAIMS") ARISING OUT OF OR IN CONNECTION WITH ANY HANDLING OR USE OF THE EVM THAT IS NOT IN ACCORDANCE WITH THESE TERMS. THIS OBLIGATION SHALL APPLY WHETHER CLAIMS ARISE UNDER STATUTE, REGULATION, OR THE LAW OF TORT, CONTRACT OR ANY OTHER LEGAL THEORY, AND EVEN IF THE EVM FAILS TO PERFORM AS DESCRIBED OR EXPECTED.

8. *Limitations on Damages and Liability:*

8.1 *General Limitations.* IN NO EVENT SHALL TI BE LIABLE FOR ANY SPECIAL, COLLATERAL, INDIRECT, PUNITIVE, INCIDENTAL, CONSEQUENTIAL, OR EXEMPLARY DAMAGES IN CONNECTION WITH OR ARISING OUT OF THESE TERMS OR THE USE OF THE EVMS , REGARDLESS OF WHETHER TI HAS BEEN ADVISED OF THE POSSIBILITY OF SUCH DAMAGES. EXCLUDED DAMAGES INCLUDE, BUT ARE NOT LIMITED TO, COST OF REMOVAL OR REINSTALLATION, ANCILLARY COSTS TO THE PROCUREMENT OF SUBSTITUTE GOODS OR SERVICES, RETESTING, OUTSIDE COMPUTER TIME, LABOR COSTS, LOSS OF GOODWILL, LOSS OF PROFITS, LOSS OF SAVINGS, LOSS OF USE, LOSS OF DATA, OR BUSINESS INTERRUPTION. NO CLAIM, SUIT OR ACTION SHALL BE BROUGHT AGAINST TI MORE THAN TWELVE (12) MONTHS AFTER THE EVENT THAT GAVE RISE TO THE CAUSE OF ACTION HAS OCCURRED.

8.2 *Specific Limitations.* IN NO EVENT SHALL TI'S AGGREGATE LIABILITY FROM ANY USE OF AN EVM PROVIDED HEREUNDER, INCLUDING FROM ANY WARRANTY, INDEMNITY OR OTHER OBLIGATION ARISING OUT OF OR IN CONNECTION WITH THESE TERMS, , EXCEED THE TOTAL AMOUNT PAID TO TI BY USER FOR THE PARTICULAR EVM(S) AT ISSUE DURING THE PRIOR TWELVE (12) MONTHS WITH RESPECT TO WHICH LOSSES OR DAMAGES ARE CLAIMED. THE EXISTENCE OF MORE THAN ONE CLAIM SHALL NOT ENLARGE OR EXTEND THIS LIMIT.

9. *Return Policy.* Except as otherwise provided, TI does not offer any refunds, returns, or exchanges. Furthermore, no return of EVM(s) will be accepted if the package has been opened and no return of the EVM(s) will be accepted if they are damaged or otherwise not in a resalable condition. If User feels it has been incorrectly charged for the EVM(s) it ordered or that delivery violates the applicable order, User should contact TI. All refunds will be made in full within thirty (30) working days from the return of the components(s), excluding any postage or packaging costs.

10. *Governing Law:* These terms and conditions shall be governed by and interpreted in accordance with the laws of the State of Texas, without reference to conflict-of-laws principles. User agrees that non-exclusive jurisdiction for any dispute arising out of or relating to these terms and conditions lies within courts located in the State of Texas and consents to venue in Dallas County, Texas. Notwithstanding the foregoing, any judgment may be enforced in any United States or foreign court, and TI may seek injunctive relief in any United States or foreign court.

Mailing Address: Texas Instruments, Post Office Box 655303, Dallas, Texas 75265
Copyright © 2019, Texas Instruments Incorporated

IMPORTANT NOTICE AND DISCLAIMER

TI PROVIDES TECHNICAL AND RELIABILITY DATA (INCLUDING DATASHEETS), DESIGN RESOURCES (INCLUDING REFERENCE DESIGNS), APPLICATION OR OTHER DESIGN ADVICE, WEB TOOLS, SAFETY INFORMATION, AND OTHER RESOURCES "AS IS" AND WITH ALL FAULTS, AND DISCLAIMS ALL WARRANTIES, EXPRESS AND IMPLIED, INCLUDING WITHOUT LIMITATION ANY IMPLIED WARRANTIES OF MERCHANTABILITY, FITNESS FOR A PARTICULAR PURPOSE OR NON-INFRINGEMENT OF THIRD PARTY INTELLECTUAL PROPERTY RIGHTS.

These resources are intended for skilled developers designing with TI products. You are solely responsible for (1) selecting the appropriate TI products for your application, (2) designing, validating and testing your application, and (3) ensuring your application meets applicable standards, and any other safety, security, or other requirements. These resources are subject to change without notice. TI grants you permission to use these resources only for development of an application that uses the TI products described in the resource. Other reproduction and display of these resources is prohibited. No license is granted to any other TI intellectual property right or to any third party intellectual property right. TI disclaims responsibility for, and you will fully indemnify TI and its representatives against, any claims, damages, costs, losses, and liabilities arising out of your use of these resources.

TI's products are provided subject to TI's Terms of Sale (<https://www.ti.com/legal/termsofsale.html>) or other applicable terms available either on [ti.com](https://www.ti.com) or provided in conjunction with such TI products. TI's provision of these resources does not expand or otherwise alter TI's applicable warranties or warranty disclaimers for TI products.

Mailing Address: Texas Instruments, Post Office Box 655303, Dallas, Texas 75265
Copyright © 2021, Texas Instruments Incorporated