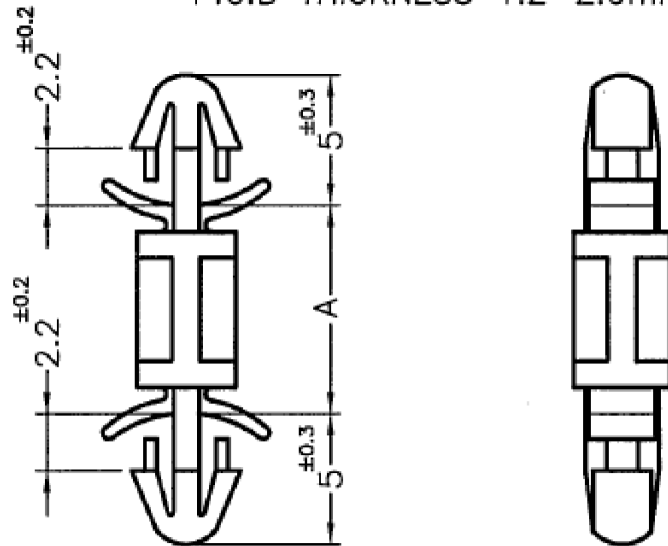


# UNCONTROLLED

<-5mm	±0.2
5-20mm	±0.3
20-40mm	±0.4
40-60mm	±0.5
60-100mm	±0.8
100->	±1.0

HOLE IN P.C.B  $\phi 3.0\text{mm}$   
P.C.B THICKNESS 1.2~2.0mm



HOLE IN P.C.B  $\phi 3.0\text{mm}$   
P.C.B THICKNESS 1.2~2.0mm

Part #	A
CBDLS505A	3.2
CBDLS510A	5
CBDLS515A	6.35
CBDLS520A	8
CBDLS525A	9.5
CBDLS530A	10.67
CBDLS535A	11.2
CBDLS540A	12
CBDLS545A	15
CBDLS550A	16
CBDLS555A	17
CBDLS560A	20.2
CBDLS565A	22
CBDLS570A	25.4

TITLE: <b>CBDLS DOUBLE LOCKING SUPPORT</b>					DWG IN IN [MM]
CREATED USING SOLIDWORKS	FILE #: CBDLS SERIES	DWN: MJB.	APP: -	ORIGINAL	
TOLERANCES UNLESS NOTED X<10=±0.1 10<X<30=±0.3 X>30=±0.5 ANG.=±1°	SHEET: 1 OF 1	SHEET SIZE: A	DT: 1/19/2021	CHKD: -	PART #
RE: --			ESSENTRA COMPONENTS		
RE: --			CBDLS 500 SERIES		

A	CREATED IN SOLIDWORKS	MJB. 1/19/2021
REV.	DESCRIPTION	ENGR. DATE