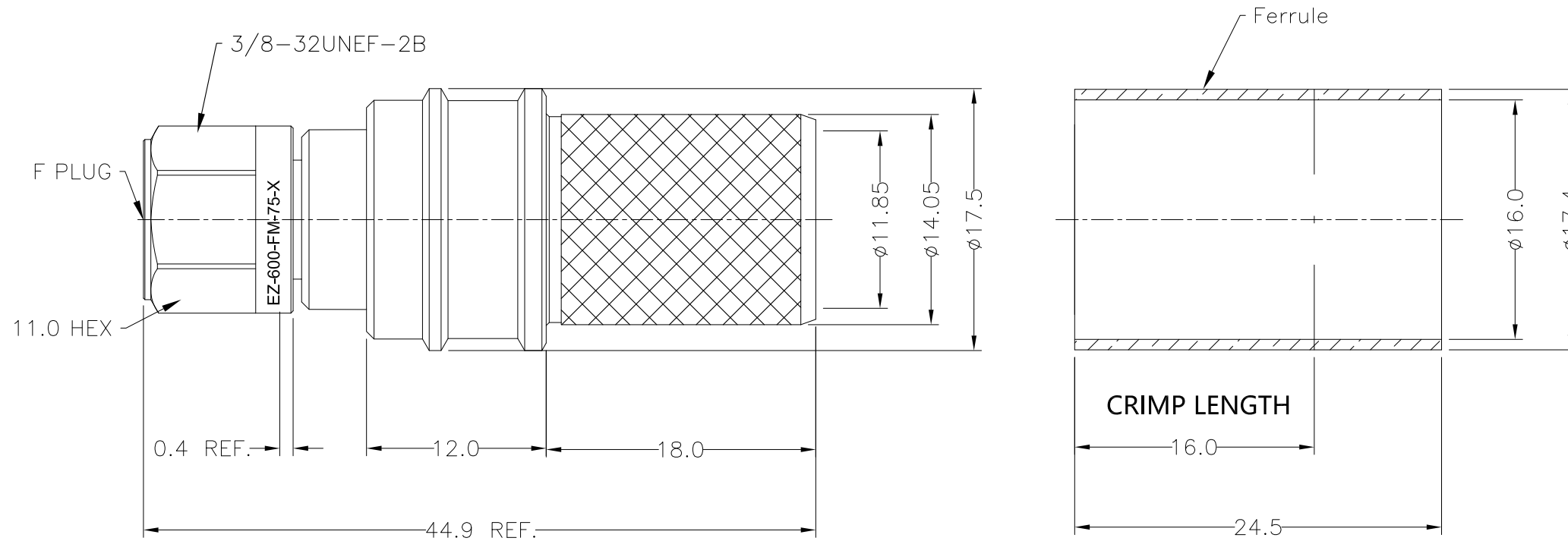


NOTICE OF PROPRIETARY RIGHTS THIS DOCUMENT CONTAINS CONFIDENTIAL DATA, INCLUDING TRADE SECRETS, PROPRIETARY TO TIMES MICROWAVE SYSTEMS. DISCLOSURE OF THIS DATA IS EXPRESSLY CONDITIONED UPON YOUR ASSENT THAT ITS USE IS LIMITED TO USE WITHIN YOUR COMPANY ONLY. ANY OTHER USE IS STRICTLY PROHIBITED WITHOUT THE PRIOR WRITTEN CONSENT OF TIMES MICROWAVE SYSTEMS.

SYM	REVISION DESCRIPTION	DFTM	DATE	APPD	APPD
A	RELEASED FOR PRODUCTION	Monica.W	2017.09.05	Tony.Z	2017.09.05
B	Correct ferrule material from brass to copper	Monica.W	2019.03.19	Joslen	2019.03.19



I. MATERIALS & FINISHES

Components	Materials	Finishes	Thk. (μ")
Body	Brass	Albaloy	80
Center Cont.	Beryllium Copper	Gold	50
Ferrule	Copper	Albaloy	80
Nut	Brass	Albaloy	80
Insulator	PTFE	--	--
Gasket	Silicone	--	--

II. ELECTRICAL PROPERTIES

Impedance (Ω):	75
Frequency Range (GHz):	DC to 1 GHz
Dielectric Withstanding Voltage (V):	750
Insulation Resistance (MΩ):	≥5000
VSWR:	≤1.3
Insertion Loss(dB, f/GHz):	-0.1x √f

III. ENVIRONMENT PROPERTIES

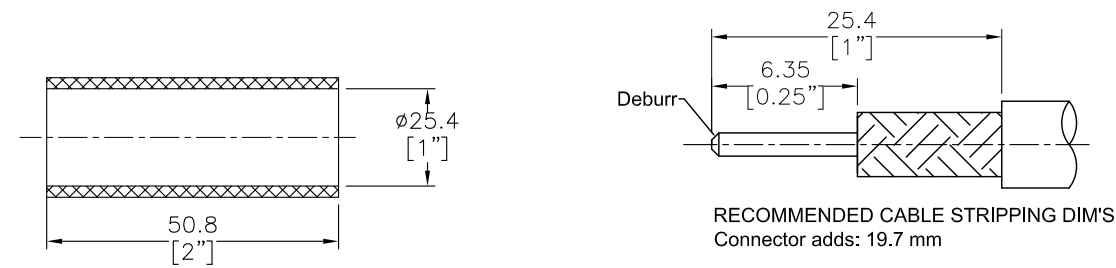
Temperature Range:	-40°C~+125°C
Thermal Shock:	MIL-STD 202G, Meth.107, Cond.B
Vibration:	MIL-STD 202G, Meth.204, Cond.B
Shock:	MIL-STD 202G, Meth.213, Cond I
Climatic Class:	IEC 60068 40/125/21
(2002/95/EC)RoHS:	Compliant

IV. MECHANICAL PROPERTIES

Center Cont.:	Finger Contact
Outer Cont.:	Crimp
Coupling Nut Torque (N.m):	1.7
Cbl-Connector Retention Force (N):	150
Durability (cycles):	500

V. TOOLING

Stripping Tool: 3192-090/ST-600-75
Crimping Tool: 3192-170/CT-600



Shrink Tube (1"x2" 3:1)

Compatible with Standard: IEC 61169-24

MATL:	UNLESS OTHERWISE SPECIFIED	DFTM.	Monica	
USED ON: O	ALL DIMENSIONS ARE IN mm MACHINED SURFACES FINISH 1.6 RMS MAX. REMOVE ALL BURRS 0.15X45° MAX. BREAK MACHINE CORNERS 0.15X45° D MAX. FILLET R. TOLERANCES ON DECIMALS .X ±0.3 .XX ±0.15 ANGLES ±2° FRACTIONS ± N/A	DATE	2017.09.05	
SCALE: N/A DWG SIZE A4		CHKD	Joslen	
		DATE	2017.09.05	
		APPD	TZ	
		DATE	2017.09.05	
	DO NOT SCALE DRAWING	CODE IDENT	68999	EZ-600-FM-75-X Type F Male (Plug) Straight Non-Solder Pin No Braid Trim Connector for LMR-600-75 Cable
				S H T 1 OF 1 3190-6410 R E V B