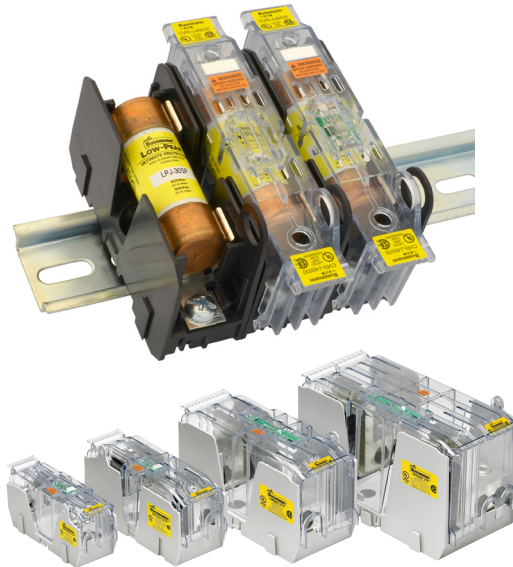


Class J modular ferrule and knifeblade fuse blocks



Knifeblade fuse blocks from 100 to 600 amps feature phase barriers between poles for additional safety with up to four mounting holes per pole increase installation flexibility. All knifeblade blocks meet UL creep and clearance requirements for Industrial Power Circuits (UL 508 and UL 845).

Additionally, the 200 to 600 amp blocks meet the higher UL creep and clearance requirements for Power Distribution Standards (UL 98, UL 67, UL 489, UL 891 and UL 869A)

All blocks have optional IP20 finger-safe high clarity, see-through covers for inspecting wire terminations or thermography measurements without removal. All covers enhance safety by featuring probe holes for easier, safer testing and a lockout/tagout capability. These covers also have optional open fuse indication to speed troubleshooting.

Easy circuit identification is available for 30 and 60 amp blocks and covers with universal marker labels.

Catalog symbol:

- JM60_

Description:

Bussmann® series Class J modular fuse blocks increase versatility, reduce labor and enhance safety for any panel or electrical system design. Available for the full Class J fuse amp range.

These fuse blocks feature a standard fuse clip reinforcing spring for enhanced electrical contact between the block and fuse. All blocks are available as single-pole versions that snap together for the required number of poles, or as factory configured 2-, and 3-pole versions to meet stocking requirements.

The modular design permits reducing inventory, assembly time and labor with tool-less assembly of multiple poles at point of use.

Ferrule fuse blocks up to 60 amps save panel space with the smallest width dimension on the market and feature DIN-Rail and panel mount versatility so that one product can be used for multiple applications with lower inventory cost.

Specifications:

Ratings

- Volts 600 V
- Amps up to 600 A
- Withstand 200 kA RMS Sym

Agency information

- Blocks:
 - UL® Listed E14853 — IZLT and IZLT7
 - CSA® Certified 47235-6225-01
 - CE
 - RoHS Compliant
 - REACH declaration available upon request
- Covers:
 - UL Listed E58836 - JDVS
 - CSA Certified 47235-6225-01 (30 and 60A)
 - RoHS Compliant
 - REACH declaration available upon request



Powering Business Worldwide

Technical Data 10488

Effective August 2017

Poles

- 1-, 2-, 3-pole units factory assembled
- Single-pole units snap together to create desired number of poles

Flammability ratings

- Blocks: UL 94V0, self-extinguishing
- Covers: UL 94HB, self-extinguishing

Operating and storage temperature range

- Blocks -40°C to +120°C
- Covers;
 - Non-Indicating -40°C to +120°C
 - Indicating -20°C to +90°C*

* Indication requires minimum 90V and closed circuit to illuminate.

Materials

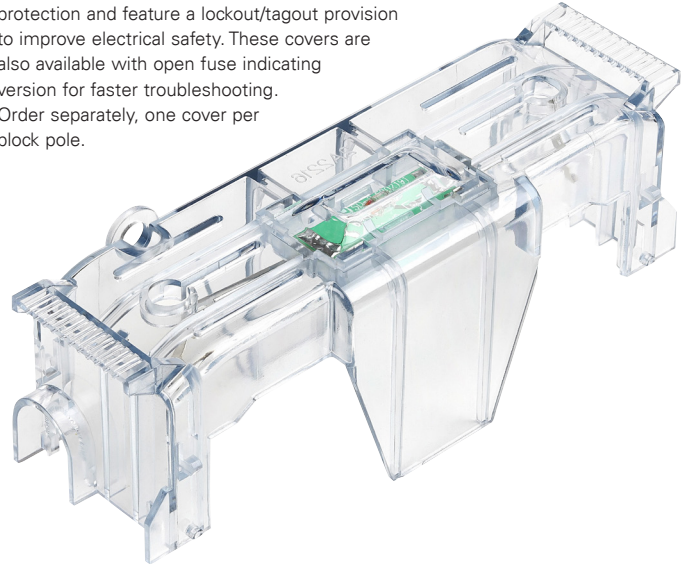
- Base: Thermoplastic
- Terminals:
 - Tin-plated copper brass (30 and 60A)
 - Tin-plated aluminum (box lug)
- Covers: Thermoplastic

Conductors

- See catalog numbers for details and torque specifications.

Class J modular ferrule and knifeblade fuse blocks

Optional see-through covers provide IP20 finger-safe protection and feature a lockout/tagout provision to improve electrical safety. These covers are also available with open fuse indicating version for faster troubleshooting. Order separately, one cover per block pole.



Standard dual lugs on 600A blocks and optional dual lugs on 400A blocks for easier wiring using two, smaller conductors.

Modular Class J ferrule and knifeblade fuse blocks



30 and 60 amp ferrule fuse blocks have DIN-rail and panel mounting capability, the modular designs allows blocks to snap together for the desired number of poles. They accept optional snap-on covers for IP20 finger-safe protection and feature a lockout/tagout to improve electrical safety.



On blocks rated from 100 to 600A, the optional covers can be completely removed for servicing or simply hinged open.



100 to 600 amp knifeblade fuse blocks are panel mount with multiple holes for installation flexibility and the modular design allows blocks to snap together for the desired number of poles. They accept optional snap-on covers for IP20 finger-safe protection and feature a lockout/tagout provision to improve electrical safety.

Table 1: 30 and 60 amp block catalog numbers

| Fuse amp range | Poles | Terminal type | | | | Optional covers* | |
|----------------|-------|--------------------|-------------------|------------------------|----------------|------------------|----------------|
| | | Box lug/slot screw | Box lug/hex screw | #10-32 Phil-slot screw | Pressure plate | Indicating** | Non-indicating |
| up to 30 | 1 | JM60030-1CR | JM60030-1CHR | JM60030-1SR | JM60030-1PR | CVRI-J-60030 | CVR-J-60030 |
| | 2 | JM60030-2CR | JM60030-2CHR | JM60030-2SR | JM60030-2PR | | |
| | 3 | JM60030-3CR | JM60030-3CHR | JM60030-3SR | JM60030-3PR | | |
| 35 to 60 | 1 | JM60060-1CR | JM60060-1CHR | — | — | CVRI-J-60060 | CVR-J-60060 |
| | 2 | JM60060-2CR | JM60060-2CHR | | | | |
| | 3 | JM60060-3CR | JM60060-3CHR | | | | |

* Covers sold separately, one cover per pole.
 ** Open fuse indication requires 90 volts minimum and closed circuit to operate.

Table 2: 30 and 60 amp block terminals and conductors

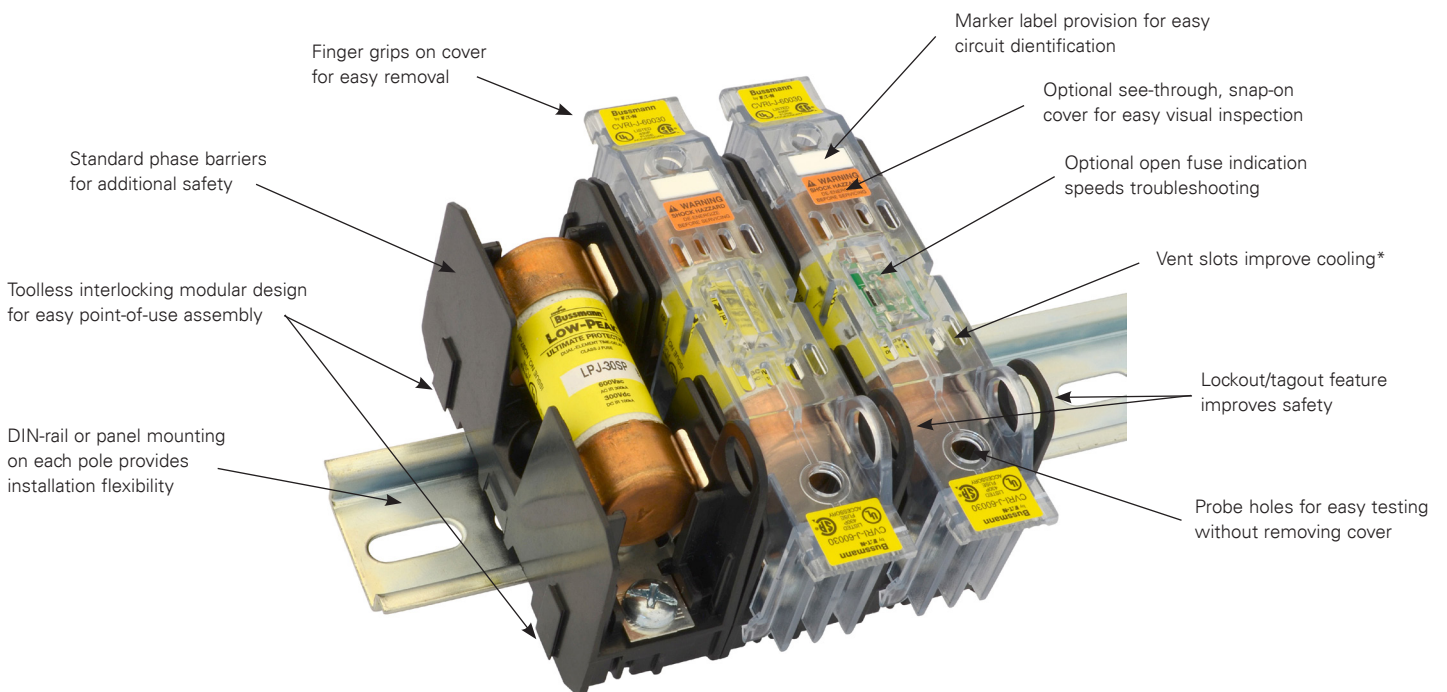
| Terminal type | AWG type/range | AWG | Torque N·m (lb-in) |
|------------------------|----------------------------|-------|--------------------|
| Box lug | 75°C Cu 2-14, AL 2-8 | 2-3 | 5.6 (50) |
| | | 4-6 | 5.1 (45) |
| | | 8 | 4.5 (40) |
| | | 10-14 | 4.0 (35) |
| #10-32 Phil-slot screw | 75/90°C Cu 10-18 | 10-18 | 2.3 (20) |
| Pressure plate | | | |

Recommended Bussmann series fuses:

| Description | Amps | Data sheet no. |
|--|----------|----------------|
| Ultimate protection Low-Peak LPJ time-delay fuses | up to 60 | 1006 |
| Advanced protection Limitron JKS fast-acting fuses | up to 60 | 1026 |
| High speed DFJ drive fuse | up to 60 | 1048 |

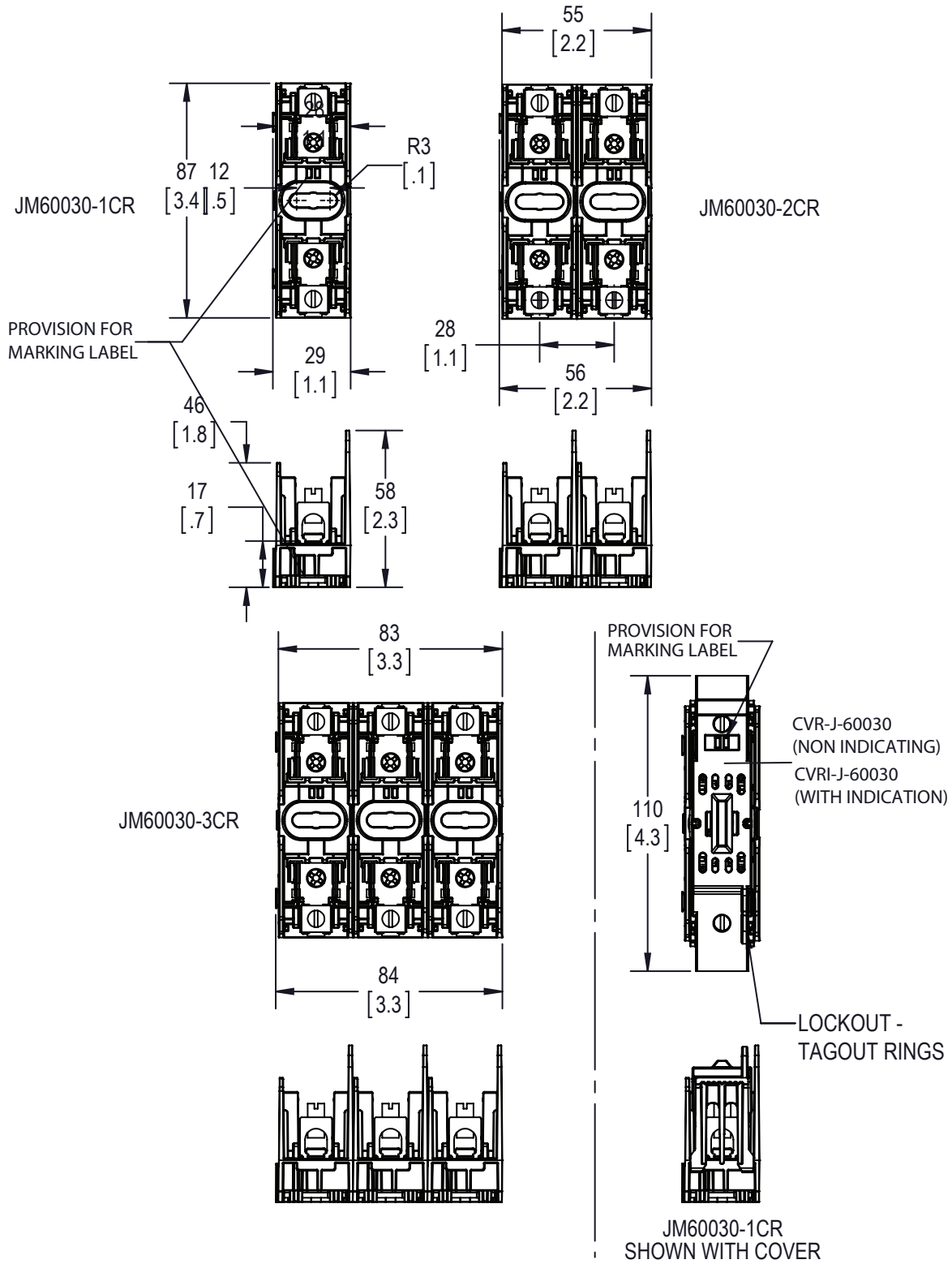
Recommended accessories for 30 and 60 amp blocks:

| Description | Catalog no. |
|--------------------|--------------------------|
| DIN-Rail end stops | BRKT-ND BRKT-NDSCREW2 |
| Marker labels | TM26CB |

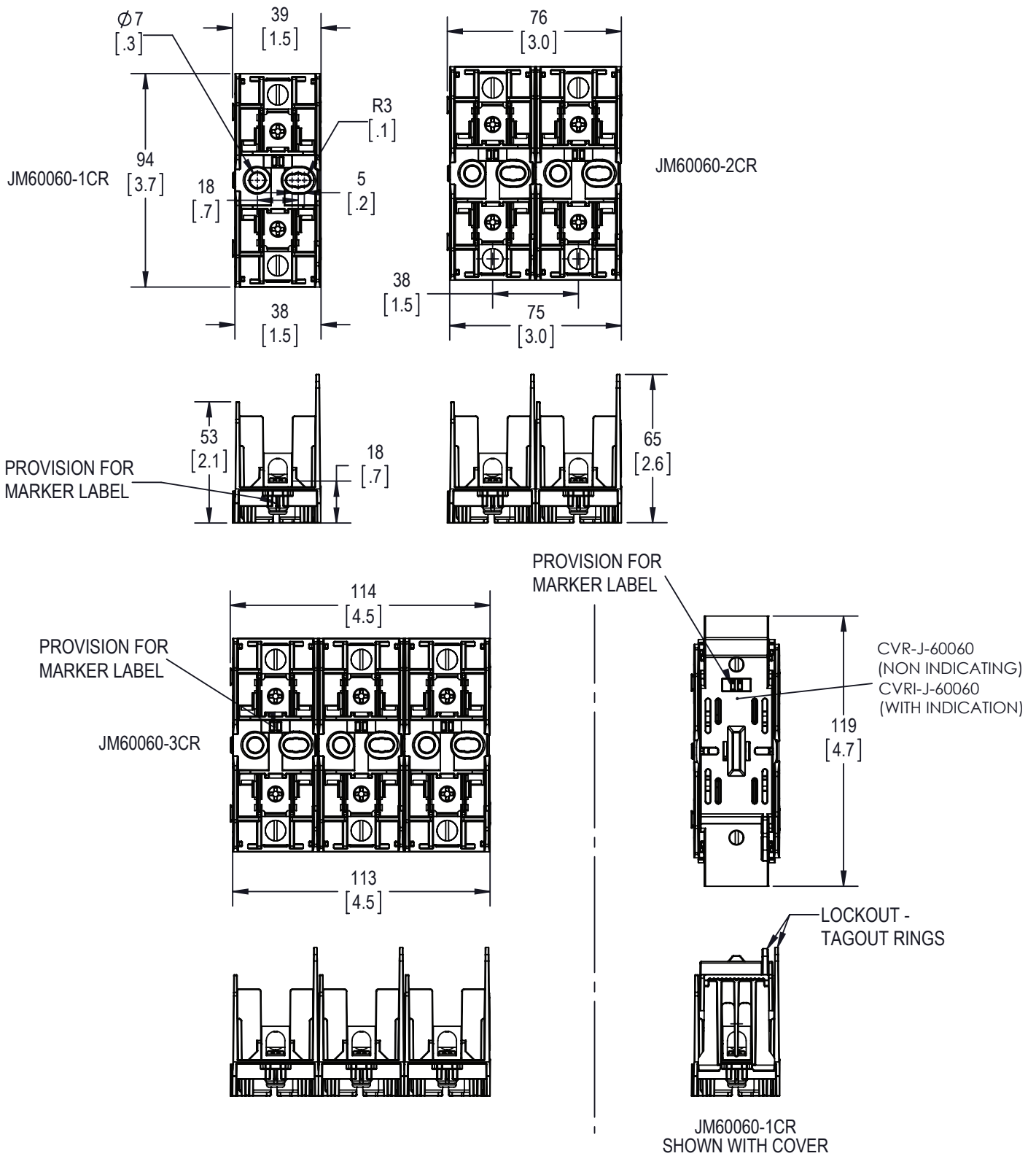


*No fuse derating necessary.

Dimensions; 30A Class J block - in (mm)

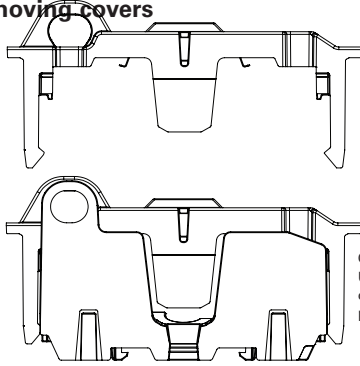


Dimensions; 60A Class J block - in (mm)



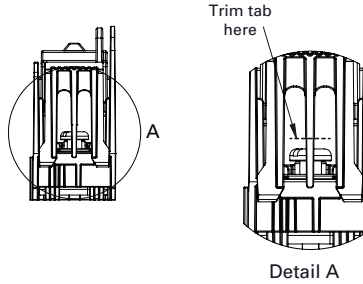
Installing/removing covers

Install cover:
Position cover
over block and
push straight
down until it
snaps/clicks
into place.



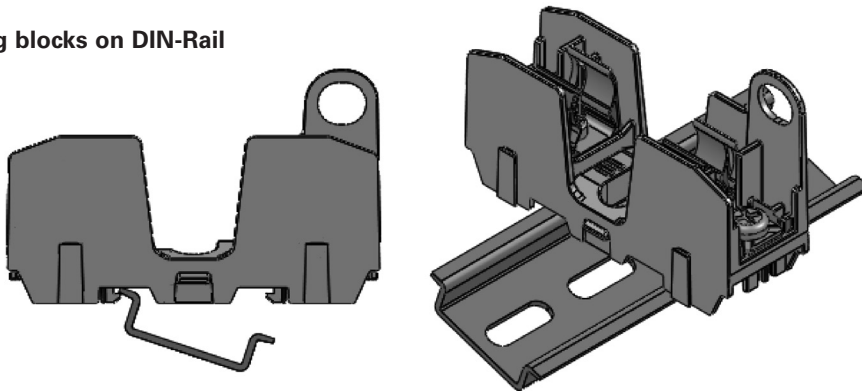
Open cover:
Using both
outside handles,
pull straight up.

For larger conductors, trim center tab
at notch as show in detail A.



Detail A

Installing blocks on DIN-Rail



Place one edge of DIN-Rail in fuse block base, then rotate block down until it clicks into place.

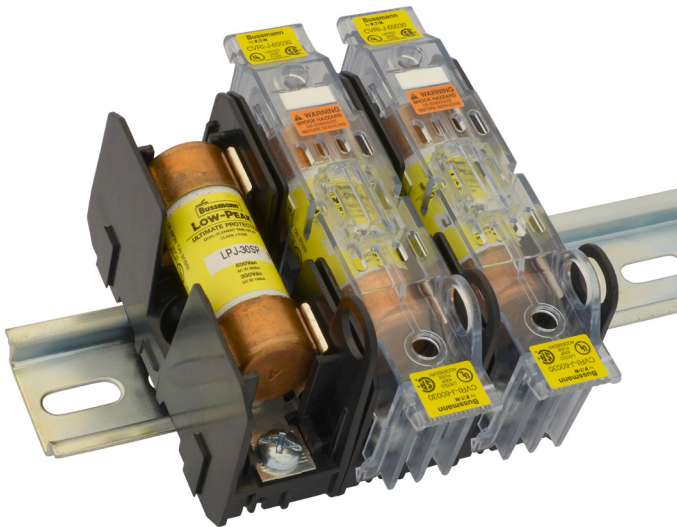


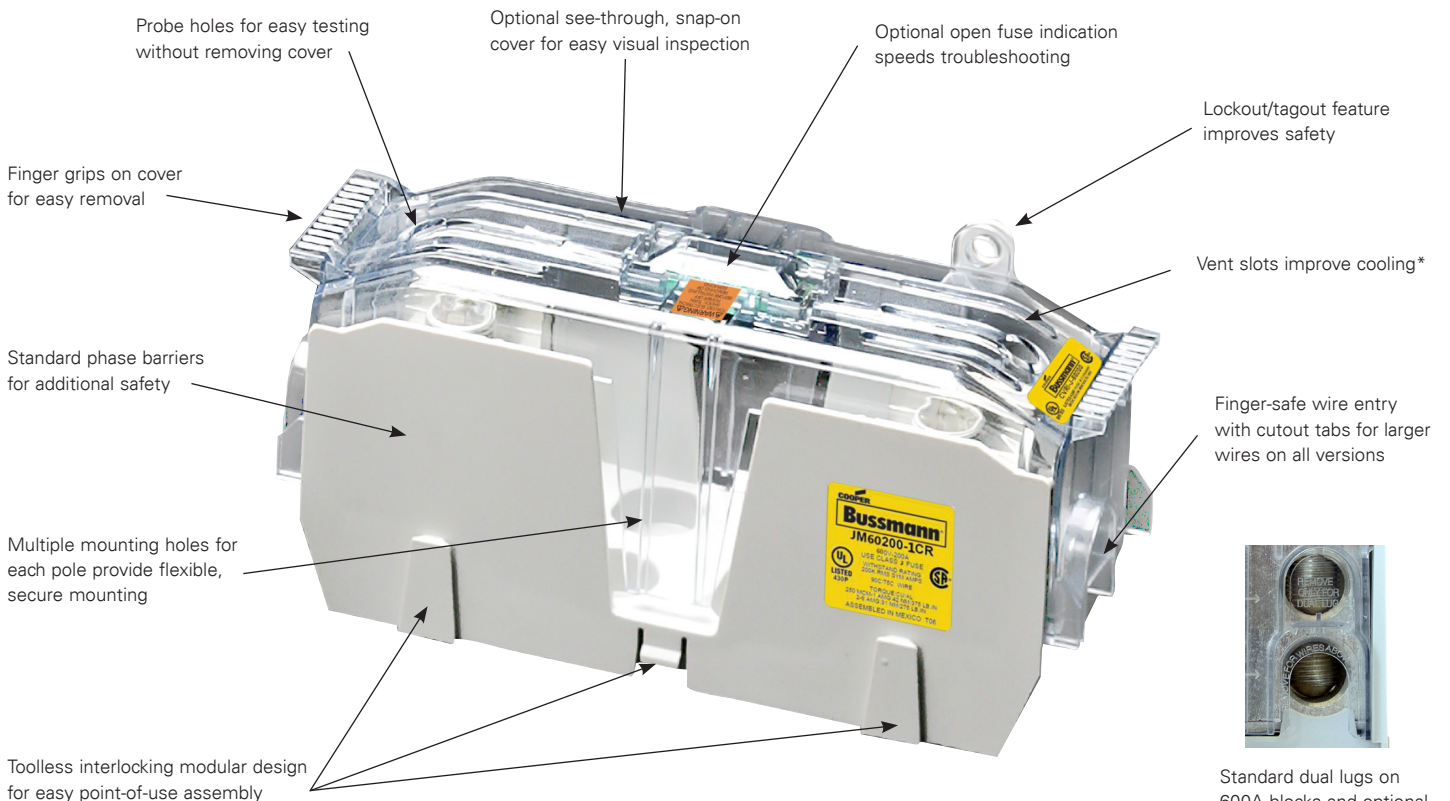
Table 6: Class J 100 to 600 amp knifeblade blocks and covers

| Fuse amp range | Poles | Catalog nos. | Covers* | | Conductors*** | | |
|----------------|-------------|-------------------------|----------------|--------------|----------------------------|---------------|--------------------|
| | | | Non-indicating | Indicating** | Solid and stranded | Fine stranded | Torque N·m (lb-in) |
| 70-100 | 1 | JM60100-1CR | CVR-J-60100 | CVRI-J-60100 | — | Cu 1-3 AWG | 6.2 (55) |
| | 2 | JM60100-2CR | | | 1/0-3 AWG; (2) Cu 4-6 AWG | Cu 4-6 AWG | 5.6 (50) |
| | | | | | 2 4-6 AWG; (2) Cu 8 AWG | Cu 8 AWG | 5.1 (45) |
| 3 | JM60100-3CR | 8 AWG; (2) Cu 10-14 AWG | — | 4.5 (40) | | | |
| 110-200 | 1 | JM60200-1CR | CVR-J-60200 | CVRI-J-60200 | Cu 10-14 AWG; Al 10-12 AWG | — | 4.0 (35) |
| | 2 | JM60200-2CR | | | 250kcmil-1 AWG | Cu 3/0-1 AWG | 42 (375) |
| | 3 | JM60200-3CR | | | 2-6 AWG; (2) Cu 2-6 AWG | Cu 2-6 AWG | 31 (275) |
| 225-400 | 1 | JM60400-1CR | CVR-J-60400 | CVRI-J-60400 | 600kcmil | N/A | 57 (500) |
| | 2 | JM60400-2CR | | | 500kcmil-4 AWG | | 51 (450) |
| | 3 | JM60400-3CR | | | (2) Cu 3/0 - 4 AWG | | 57 (500) |
| | 1 | JM60400-1MW22 | | | (2) Al 3/0 - 4 AWG | | 34 (300) |
| | 2 | JM60400-2MW22 | | | | | |
| | 3 | JM60400-3MW22 | | | | | |
| 450-600 | 1 | JM60600-1CR | CVR-J-60600 | CVRI-J-60600 | 2 (2) 500kcmil-4 AWG | N/A | 51 (450) |
| | 2 | JM60600-2CR | | | | | |
| | 3 | JM60600-3CR | | | | | |

* Covers sold separately.
 ** Open fuse indication requires 90 volts minimum and closed circuit to operate.
 *** Ratings for copper and aluminum conductors except where otherwise noted.

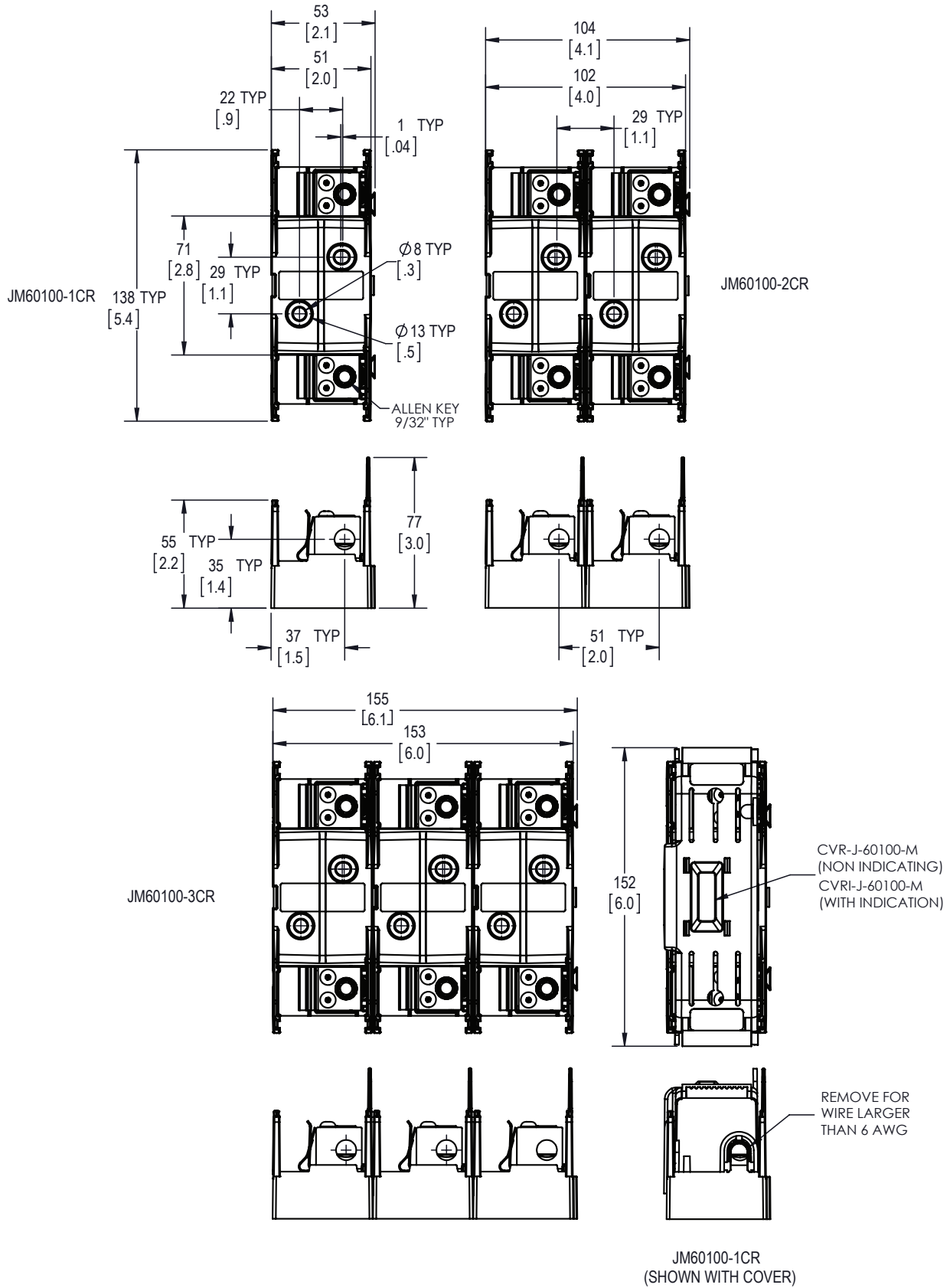
Recommended Bussmann series fuses

| Description | Amps | Data sheet no. |
|--|-----------|----------------|
| Ultimate protection Low-Peak LPJ time-delay fuses | 70 to 600 | 1007 |
| Advanced protection Limitron JKS fast-acting fuses | 70 to 600 | 1026 |
| High speed DFJ drive fuse | 70 to 600 | 1048 |

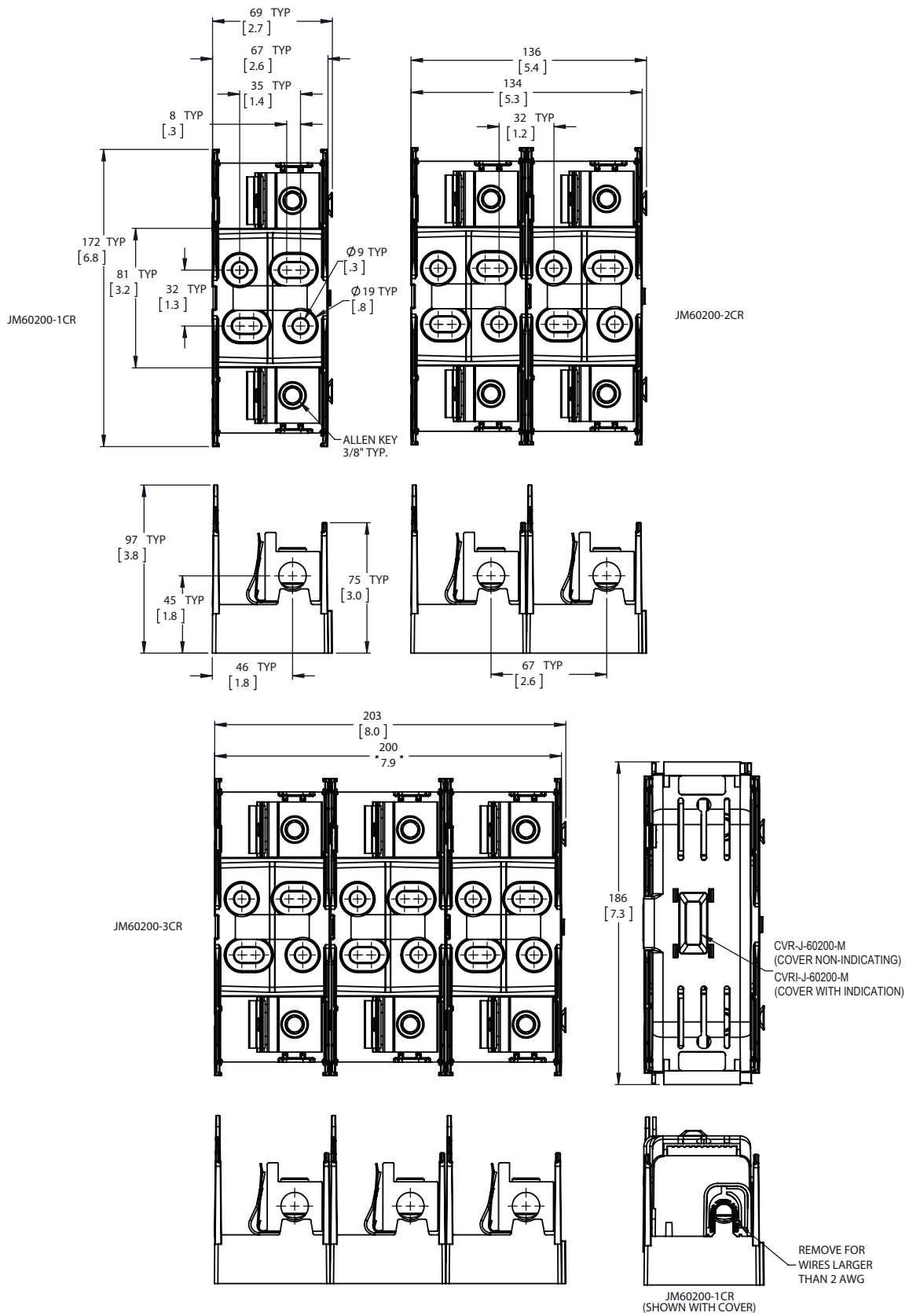


*No fuse derating necessary.

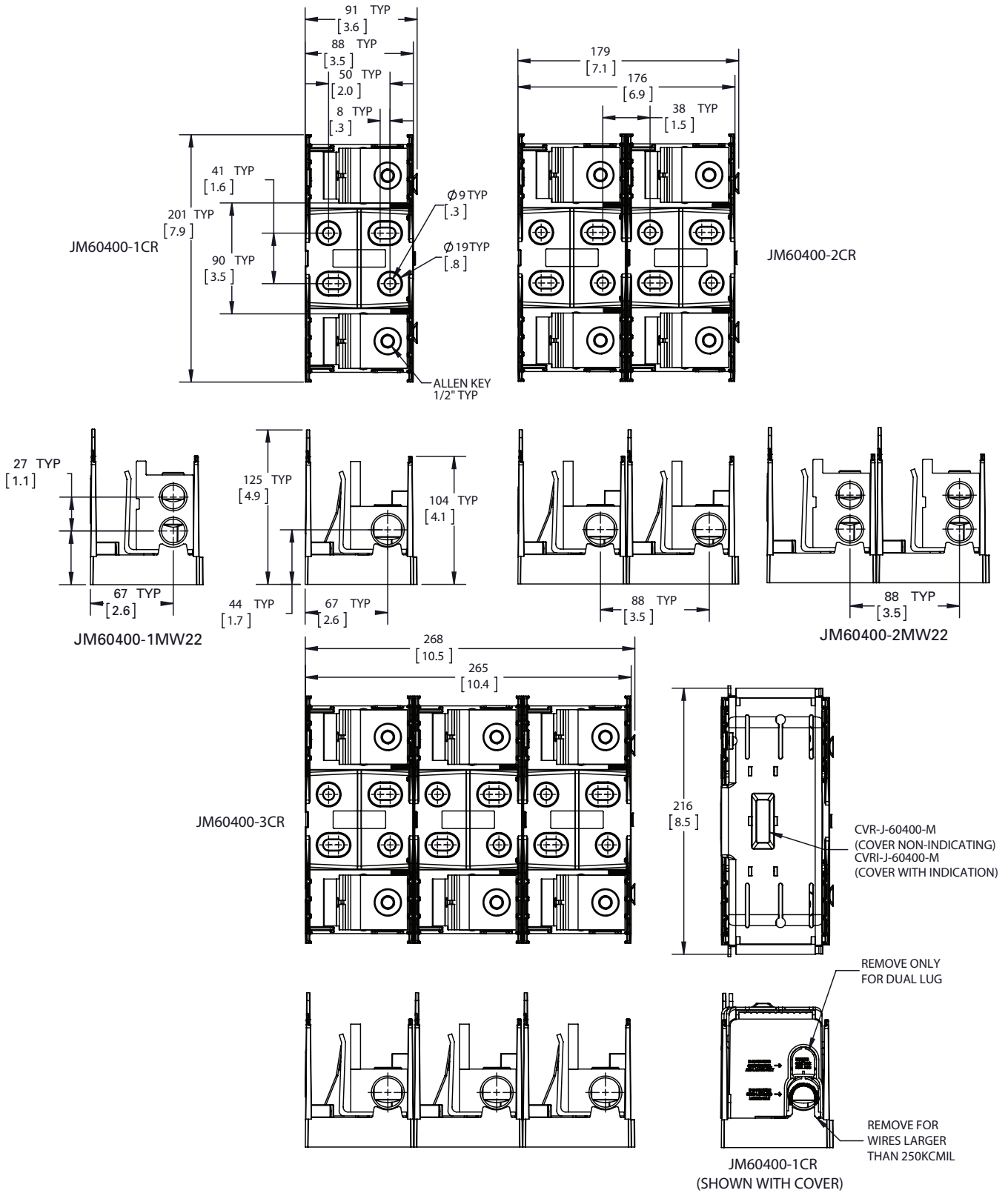
Dimensions; 100A Class J block - in (mm)



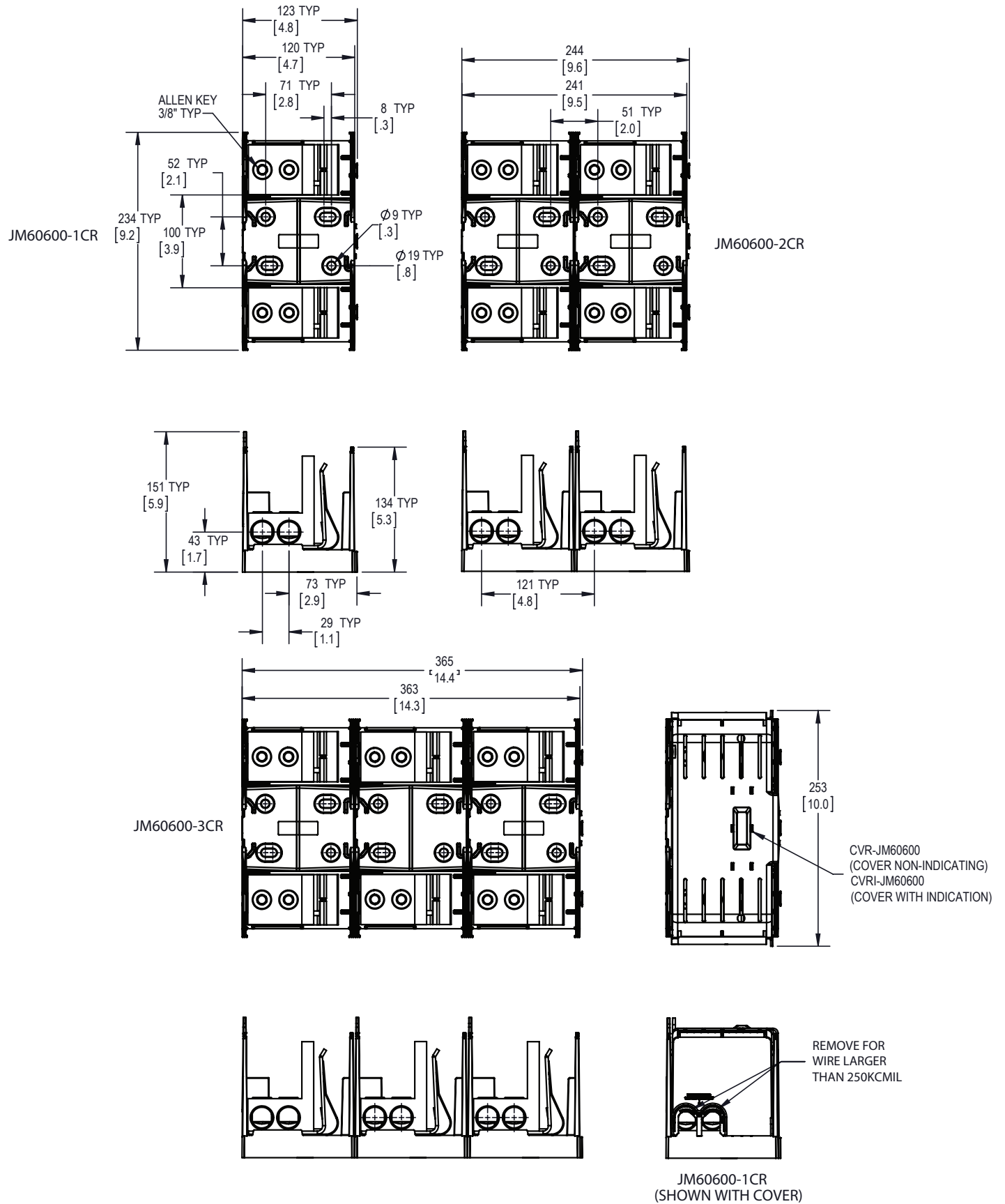
Dimensions; 200A Class J block - in (mm)



Dimensions; 400A Class J block - in (mm)



Dimensions; 600A Class J block - in (mm)



The only controlled copy of this data sheet is the electronic read-only version located on the Eaton network drive. All other copies of this document are by definition uncontrolled. This bulletin is intended to clearly present comprehensive product data and provide technical information that will help the end user with design applications. Eaton reserves the right, without notice, to change design or construction of any products and to discontinue or limit distribution of any products. Eaton also reserves the right to change or update, without notice, any technical information contained in this bulletin. Once a product has been selected, it should be tested by the user in all possible applications.

Eaton
1000 Eaton Boulevard
Cleveland, OH 44122
Eaton.com

Bussmann Division
114 Old State Road
Ellisville, MO 63021
United States
Eaton.com/bussmannseries

© 2017 Eaton
All Rights Reserved
Printed in USA
Publication No. 10488
August 2017



Eaton and Bussmann are valuable trademarks of Eaton in the U.S. and other countries. You are not permitted to use the Eaton trademarks without prior written consent of Eaton.

For Eaton's Bussmann series product information, call **1-855-287-7626** or visit: **Eaton.com/bussmannseries**

Follow us on social media to get the latest product and support information.

