

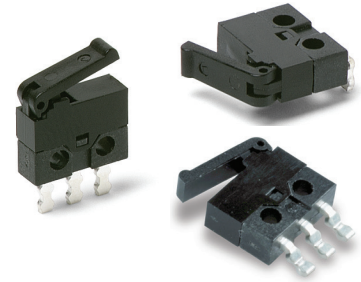
# MDS Series Mini Size Snap-acting Switches

## Features/Benefits

- Snap-acting tactile feel
- Mini package size
- Available in vertical or right angle PCB mount
- RoHS compliant and compatible

## Typical Applications

- Detect the presence of a mechanical device
- Medical devices
- Consumer electronic devices
- ATCA applications



## Specifications

CONTACT RATING: 300mA @ 30 VDC.  
 MECHANICAL & ELECTRICAL LIFE: 30,000 operations.  
 CONTACT RESISTANCE: 100 m Ω max. initial  
 OPERATING TEMPERATURE: -25°C to +70°C.  
 SOLDERABILITY: According to lead free solder profiles.  
 PACKAGING: Available in bulk or tape and reel.  
 OPERATING FORCE: 50g Max.  
 RELEASE FORCE: 3g Min.

## Materials

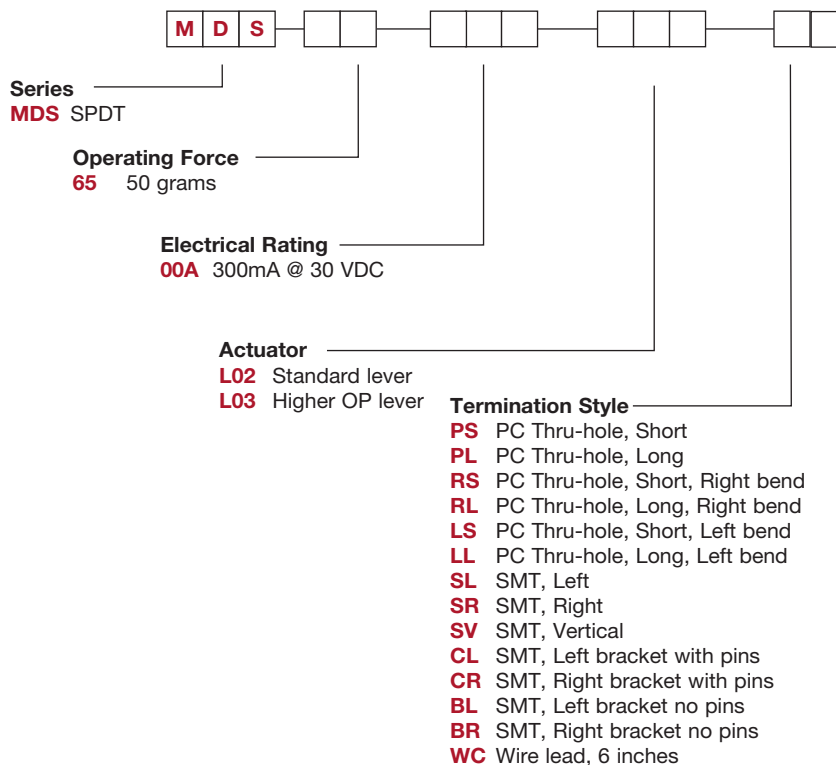
BASE: PA9T  
 COVER & ACTUATOR: PA9T  
 MOVABLE CONTACT: Copper alloy, silver plated.  
 STATIONARY CONTACTS: Copper alloy, silver plated.  
 TERMINALS: Copper alloy, silver plated.

**NOTE:** MDS series is RoHS compliant, and compatible. See technical data section of this catalog for RoHS compliant and compatible definitions and specifications.

**NOTE:** Specifications and materials listed above are for switches with standard options. For information on specific and custom switches, consult Customer Service Center.

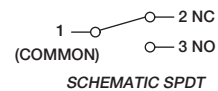
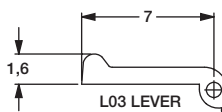
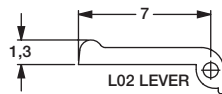
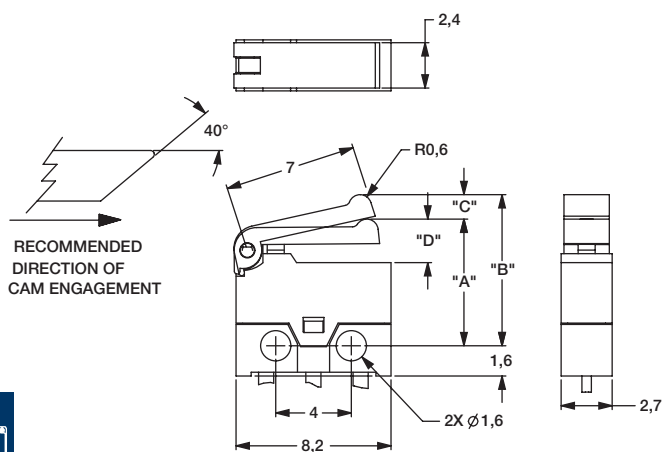
## Build-A-Switch

To order, simply select desired option from each category and place in the appropriate box. For additional options not shown in catalog, consult Customer Service Center.



# MDS Series Mini Size Snap-acting Switches

## SERIES



OPERATING CHARACTERISTICS			
		LEVER L02	LEVER L03
OPERATING POSITION	DIM 'A'	6.7 ± 0.5	7.0 +/- 0.5
FREE POSITION	DIM 'B'	8 MAX	8.5 MAX
PRETRAVEL	DIM 'C'	1.8 MAX	1.8 MAX
OVER TRAVEL	DIM 'D'	0.3 MIN	0.3 MIN
CONTACT RATING		0.3A @ 30 VDC	0.3A @ 30VDC
OPERATING FORCE		50 GRAMS F. MAX	50 GRAMS F. MAX

## OPERATING FORCE

OPTION CODE	OPERATING FORCE
<b>65</b>	50 grams max.

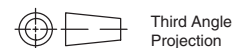
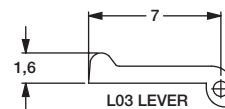
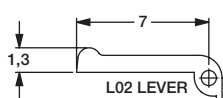
## ELECTRICAL RATING

OPTION CODE	ELECTRICAL RATING
<b>00A</b>	300mA @ 30 V DC

## ACTUATOR

**L02** STANDARD LEVER

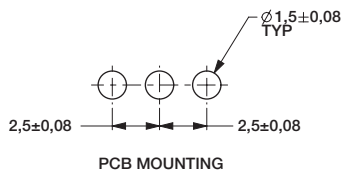
**L03** HIGHER OP LEVER



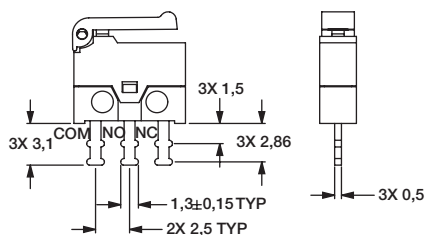
Dimensions are shown: mm  
Specifications and dimensions subject to change

## TERMINATIONS

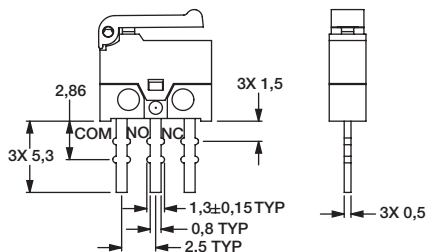
### PCB Mounting Pattern



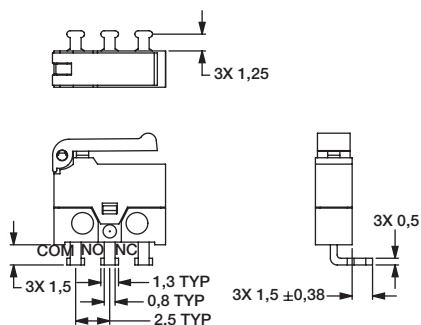
### PS PC THRU-HOLE, SHORT STRAIGHT



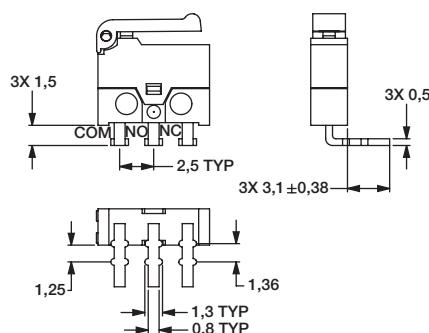
### PL PC THRU-HOLE, LONG STRAIGHT



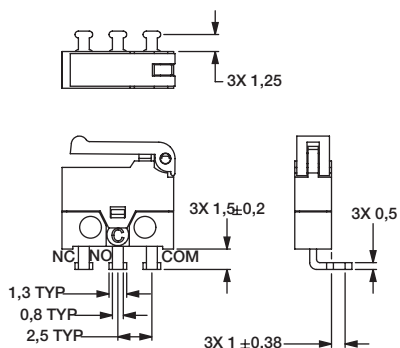
### RS PC THRU-HOLE, SHORT RIGHT BEND



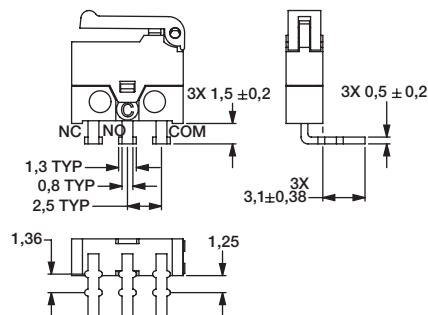
### RL PC THRU-HOLE, LONG RIGHT BEND



### LS PC THRU-HOLE, SHORT LEFT BEND



### LL PC THRU-HOLE, LONG LEFT BEND



Snap-acting



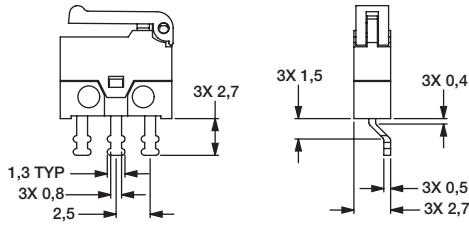
Third Angle Projection

Dimensions are shown: mm  
Specifications and dimensions subject to change

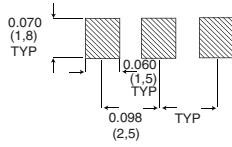
# MDS Series Mini Size Snap-acting Switches

## TERMINATIONS

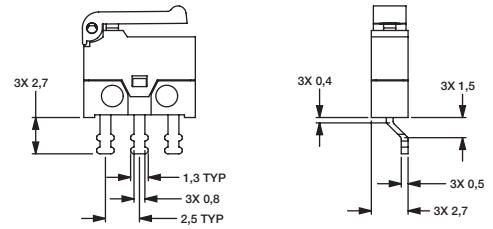
### SL SMT, LEFT MOUNT



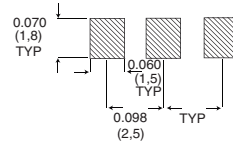
SMT Mounting Pattern



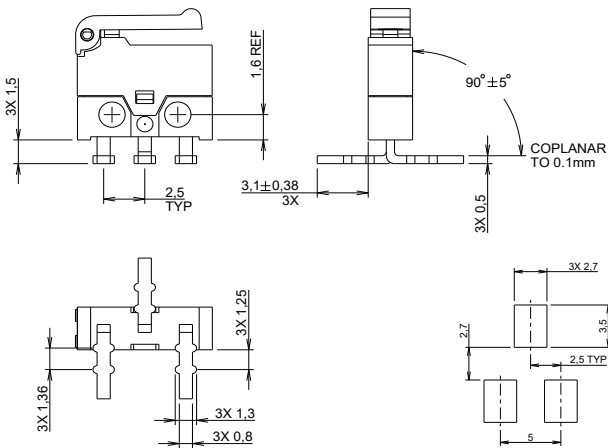
### SR SMT, RIGHT MOUNT



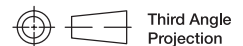
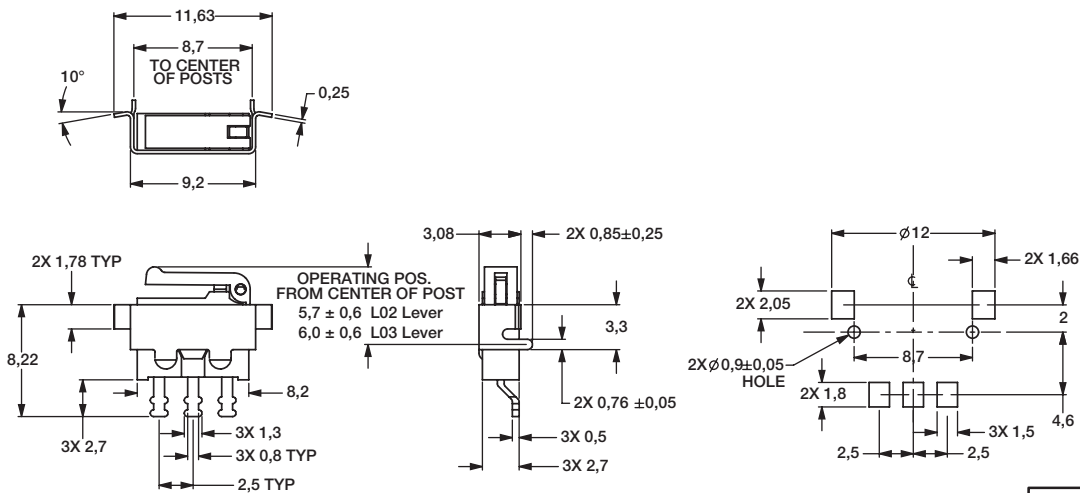
SMT Mounting Pattern



### SV SMT, VERTICAL



### CL SMT, LEFT BRACKET WITH PINS

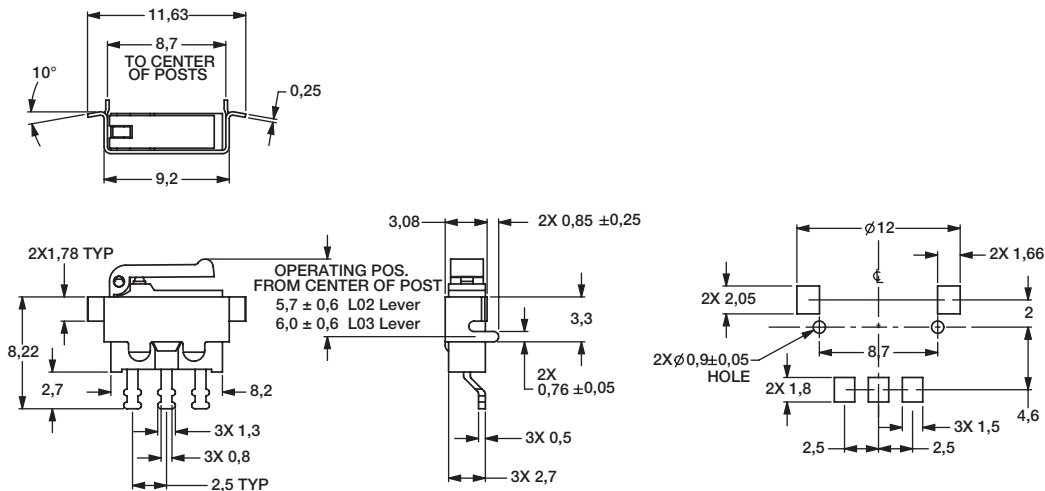


Third Angle Projection

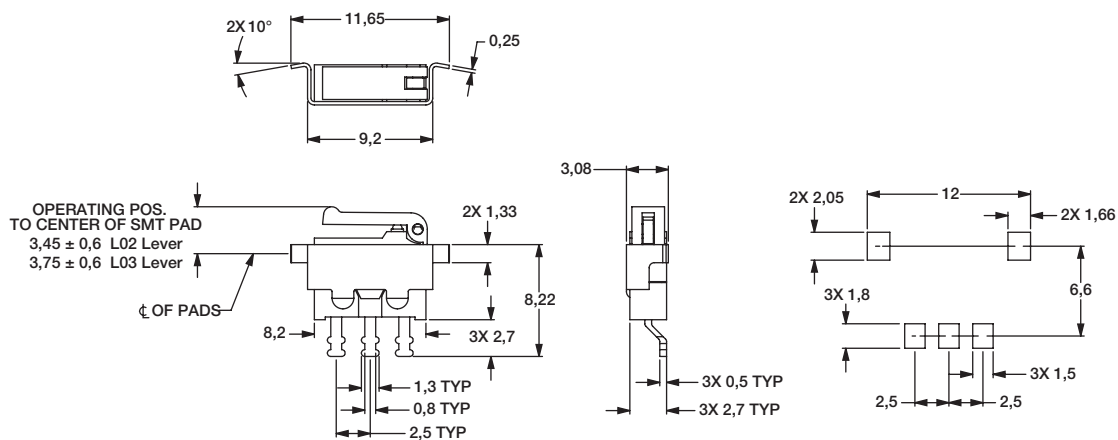
Dimensions are shown: mm  
Specifications and dimensions subject to change

## TERMINATIONS

### CR SMT, RIGHT BRACKET WITH PINS



### BL SMT, LEFT BRACKET NO PINS

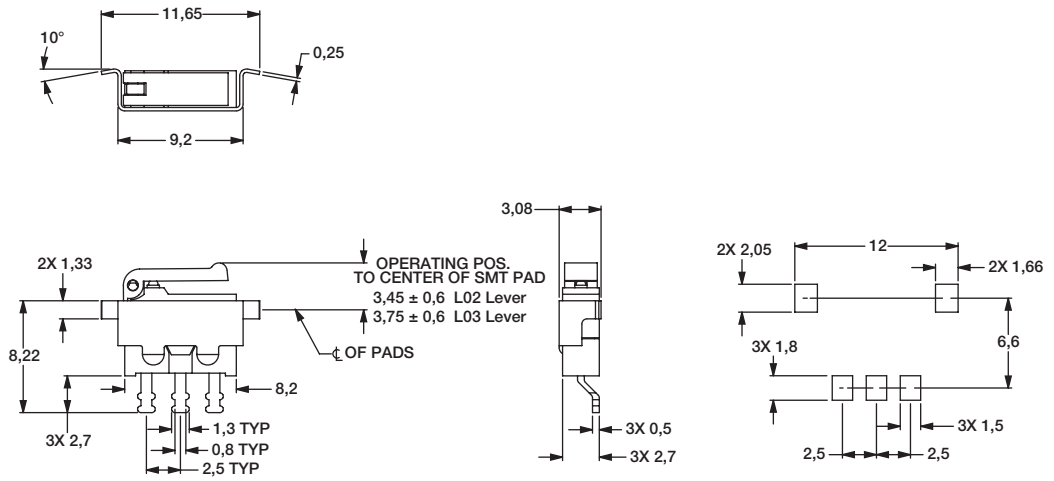


Snap-acting

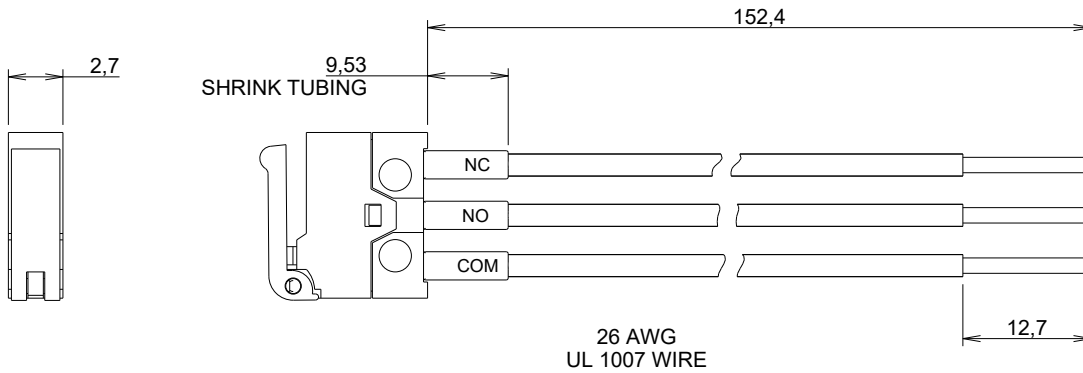
# MDS Series Mini Size Snap-acting Switches

## TERMINATIONS

**BR** SMT, RIGHT BRACKET NO PINS



**WC** WIRE LEAD, 6 INCHES



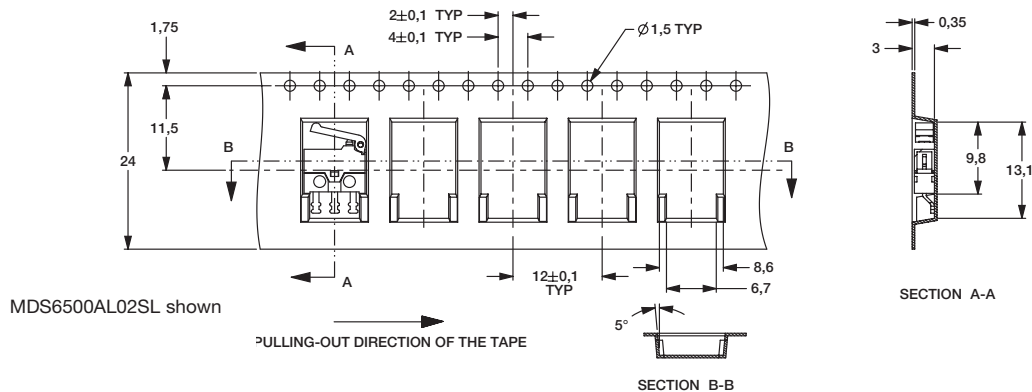
Snap-acting

# MDS Series Mini Size Snap-acting Switches

## TAPE AND REEL

**SL** SMT, LEFT MOUNT

**SR** SMT, RIGHT MOUNT

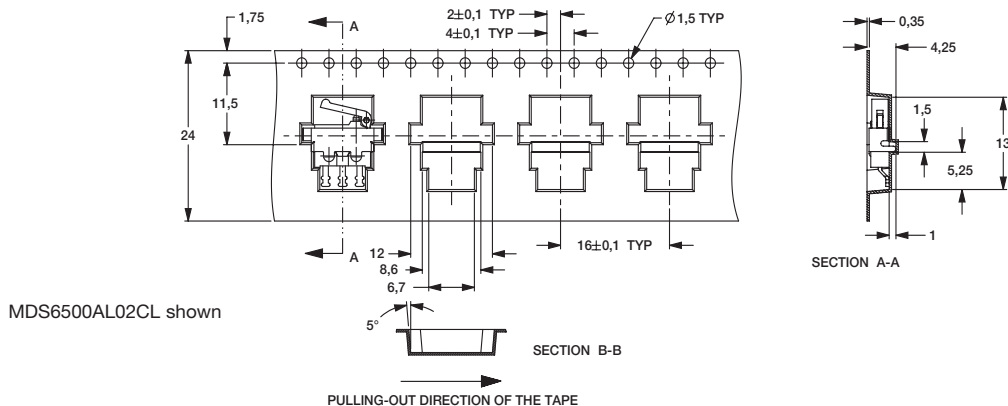


**CL** SMT, LEFT MOUNT

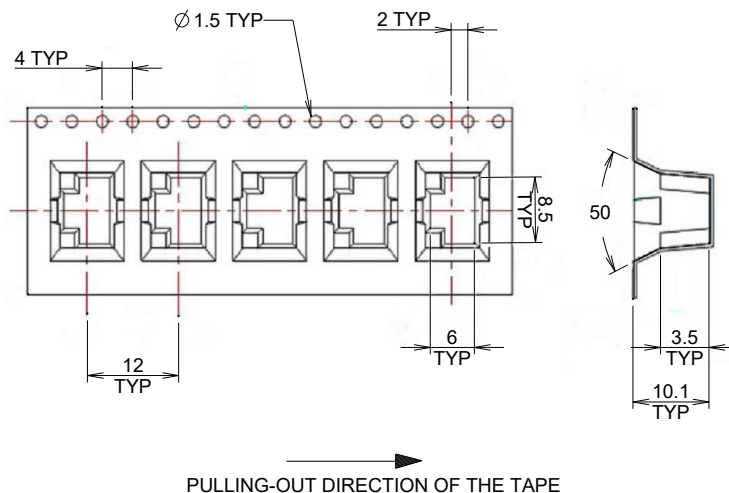
**CR** SMT, RIGHT MOUNT

**BL** SMT, LEFT MOUNT

**BR** SMT, RIGHT MOUNT

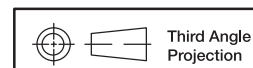


**SV** SMT, VERTICAL MOUNT



Supplied in carrier tape meeting the EIA-481-2 standard for 24mm tape.

Packaging quantity: SL and SR: 1,600 pieces per reel  
CL, CR, BL and BR: 1,000 pieces per reel  
SV: 400 pieces per reel  
WC: consult factory



Dimensions are shown in mm  
Specifications are in inches unless otherwise stated