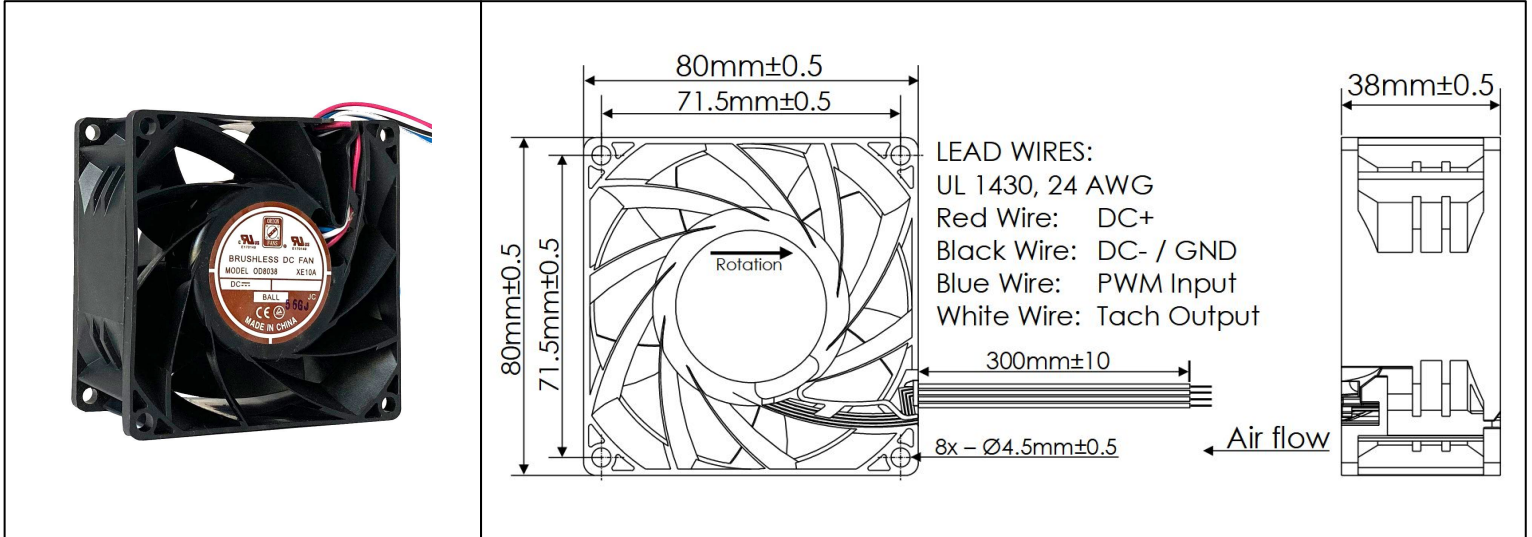


OD8038 XE Series with PWM and Tach

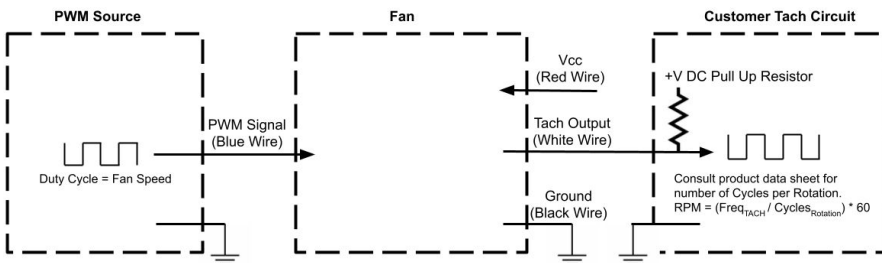


DC Fans - 12, 24V
80mm x 38mm (3.15" x 1.49")



Frame	PBT, UL94 V-0 Plastic	Operating Temperature -10°C ~ +70°C
Impeller	PBT, UL94 V-0 Plastic	
Connection	4x Wire Leads, 24 AWG	Storage Temperature -40°C ~ +70°C
Motor	Brushless DC, Auto Cutoff, Auto Restart, Electronically Protected, Polarity Protected	
Bearing System	Ball Bearings	Life Expectancy 70,000 Hours (L10 at 40°C)
Dielectric Strength	500VDC/min, <1mA	Installed Options PWM Speed Control Input Tachometer Output
Insulation Resistance	≥10M Ohm @500 VDC	Available Options Alarm Output IP Ratings
		Weight: 0.48 lbs

Part Number	Rated Voltage (Volts DC)	Voltage Range (Volts DC)	Input Power (Watts)	Rated Current (Amps)	Rated Speed (RPM)	Max Airflow (CFM)	Noise Level (dBA)	Max Static Pressure ("H ₂ O)
OD8038-12HBXE10A	12	11 ~ 13.8	69	5.8	13250	132	73	3.4
OD8038-24HBXE10A	24	22 ~ 25	60	2.5	13250	132	73	3.4



- Tach Max Pullup Voltage: +Vcc of Fan
- Tach Max Sink Current: 5mA
- Tach Cycles Per Revolution: 2
- PWM High Voltage Max: ≤5.5V
- PWM Max Sink Current: 5mA
- PWM Frequency Range: 18KHz-30KHz
- PWM Typical Frequency: 25KHz
- PWM Maximum Duty Cycle for fan startup: 30%
- RPM at 0% Duty Cycle: 0 RPM
- RPM will be full speed if PWM input is disconnected.