



0 to 10 dB Rotary Step Attenuator, N-Type Female to N-Type Female With 1 dB Step Rated to 2 Watts Up to 6 GHz

RF Step Attenuators Technical Data Sheet

PE7439N-10

Features

- 1 dB steps from 0 to 10 dB Attenuation
- Rotary Dial Control
- N Female Connectors
- -20°C to +85°C Operating Temperature
- ±0.5 dB Typical Attenuation Accuracy

Applications

- Instrumentation
- Precision Measurements
- Prototyping and Characterization
- Production Systems

Description

The PE7439N-10 is a Step Attenuator that has 10 dB of total attenuation with 1 dB step size and rotary dial design across a frequency range from DC to 6 GHz. The design is tried and true technology that offers exceptional performance characteristics that include 1 dB maximum insertion loss, and a maximum VSWR of 1.4:1 at 6 GHz. The design also features excellent attenuation accuracy with ±0.5 dB typical at 6 GHz. The Brass package has N Female connectors, and operates within the temperature range of -20°C to 85°C.

Electrical Specifications

| Description | Minimum | Typical | Maximum | Units |
|--|---------|---------|---------|-------|
| Frequency Range | DC | | 6 | GHz |
| Impedance | | 50 | | Ohms |
| Insertion Loss | | | 1 | dB |
| Attenuation Value | | 0 to 10 | | dB |
| Step Size | | 1 | | dB |
| Step Type | | Rotary | | |
| Input Power (CW) | | | 2 | Watts |
| Input Power, Peak 5µs Pulse Width, 2% DutyCycle | | | 100 | Watts |
| VSWR | | | 1.4:1 | |

Specifications by Frequency

| Description | F1 | F2 | F3 | F4 | F5 | Units |
|----------------------|---------|----|----|----|----|-------|
| Range | DC to 6 | | | | | GHz |
| Attenuation Accuracy | 0.5 | | | | | dB |

Click the following link (or enter part number in "SEARCH" on website) to obtain additional part information including price, inventory and certifications: [0 to 10 dB Rotary Step Attenuator, N-Type Female to N-Type Female With 1 dB Step Rated to 2 Watts Up to 6 GHz PE7439N-10](#)



0 to 10 dB Rotary Step Attenuator, N-Type Female to N-Type Female With 1 dB Step Rated to 2 Watts Up to 6 GHz

RF Step Attenuators Technical Data Sheet

PE7439N-10

Mechanical Specifications

Size

| | |
|--------|--------------------|
| Length | 2.44 in [61.98 mm] |
| Width | 1.181 in [30 mm] |
| Height | 1.622 in [41.2 mm] |
| Weight | 0.05 lbs [22.68 g] |

Connectors

| Description | Connector 1 | Connector 2 |
|------------------------------|------------------------|---------------|
| Type | N Female | N Female |
| Contact Material and Plating | Beryllium Copper, Gold | |
| Body Material and Plating | Brass, Nickel | Brass, Nickel |

Environmental Specifications

Temperature

| | |
|-----------------|-----------------|
| Operating Range | -20 to 85 deg C |
|-----------------|-----------------|

Compliance Certifications (see [product page](#) for current document)

Plotted and Other Data

Notes:

0 to 10 dB Rotary Step Attenuator, N-Type Female to N-Type Female With 1 dB Step Rated to 2 Watts Up to 6 GHz from Pasternack Enterprises has same day shipment for domestic and International orders. Our RF, microwave and millimeter wave products maintain a 99.4% availability and are part of the broadest selection in the industry.

Click the following link (or enter part number in "SEARCH" on website) to obtain additional part information including price, inventory and certifications: [0 to 10 dB Rotary Step Attenuator, N-Type Female to N-Type Female With 1 dB Step Rated to 2 Watts Up to 6 GHz PE7439N-10](#)

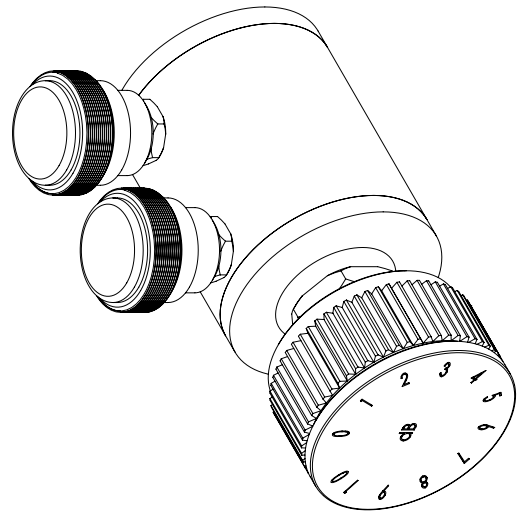
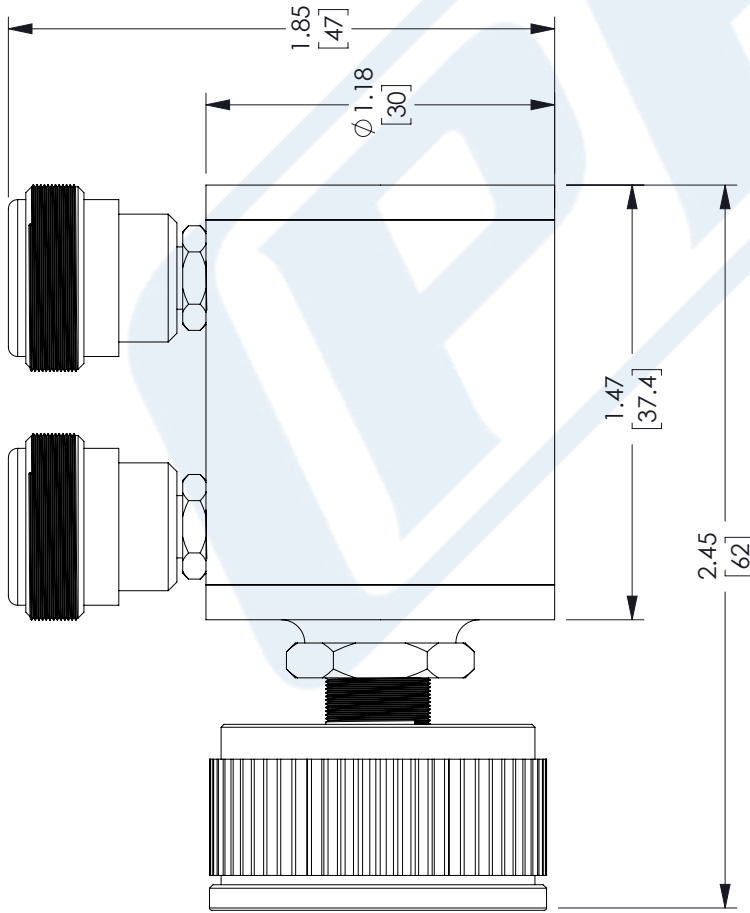
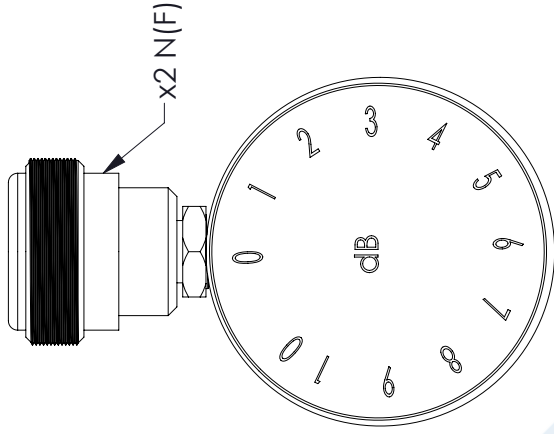
URL: <https://www.pasternack.com/10db-step-n-female-n-female-2-watts-attenuator-pe7439n-10-p.aspx>

The information contained in this document is accurate to the best of our knowledge and representative of the part described herein. It may be necessary to make modifications to the part and/or the documentation of the part, in order to implement improvements. Pasternack reserves the right to make such changes as required. Unless otherwise stated, all specifications are nominal. Pasternack does not make any representation or warranty regarding the suitability of the part described herein for any particular purpose, and Pasternack does not assume any liability arising out of the use of any part or documentation.

PE7439N-10 CAD Drawing

0 to 10 dB Rotary Step Attenuator, N-Type Female to N-Type Female With 1 dB Step Rated to 2 Watts Up to 6 GHz

| REVISIONS | | | |
|-----------|-----------------|------------|----------|
| REV. | DESCRIPTION | DATE | APPROVED |
| A | INITIAL RELEASE | 05/09/2022 | SPONG |



UNLESS OTHERWISE SPECIFIED
LEADING DIMENSIONS ARE INCHES
DIMENSIONS IN [] ARE MILLIMETERS

TOLERANCES:
 .X = ±.2 [5.08] FRACTIONS ±.1/32
 .XX = ±.02 [.51] ±.1/32
 .XXX = ±.005 [.13] ANGLES ± 1°

CABLE LENGTH (L) TOLERANCES:
 L ≤ 12 [305] = ±1 [25] / -0
 12 [305] < L ≤ 60 [1524] = +2 [51] / -0
 60 [1524] < L ≤ 120 [3048] = +4 [102] / -0
 120 [3048] < L ≤ 300 [7620] = +6 [152] / -0
 300 [7620] < L = +5%L / -0

ALL DIMENSIONS SHOWN
ARE FOR REFERENCE ONLY.

PE PASTERNAK
an INFINITE brand

Pasternack Enterprises, Inc.
P.O. Box 16759, Irvine, CA 92623.
Phone: 1.949.261.1920 | 1.866.727.8376
Fax: 1.949.261.7451
Website: www.pasternack.com
E-mail: sales@pasternack.com

THIRD-ANGLE PROJECTION

THE INFORMATION AND DESIGN IN THIS DOCUMENT IS THE PROPERTY OF PASTERNAK CORPORATION. ALL RIGHTS RESERVED.

SHEET 1 OF 1
SCALE N/A

REV A

ITEM NO. PE7439N-10

CAGE CODE DRAWN BY
A 53919 PSRINIVAS