

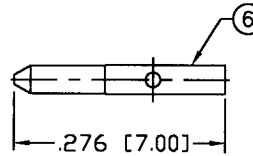
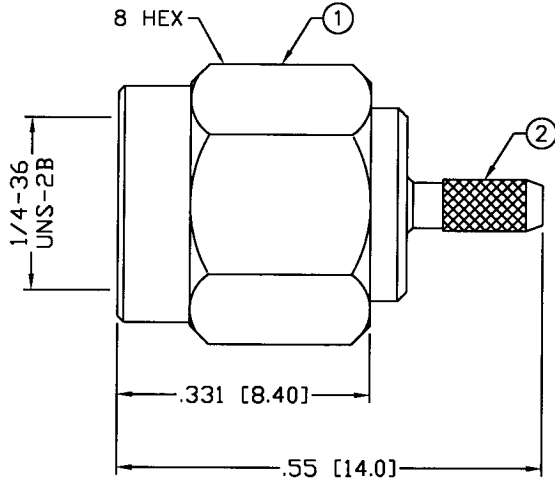
THIS DRAWING CONTAINS INFORMATION PROPRIETARY TO RF INDUSTRIES.  
 ANY UNAUTHORIZED USE OF THIS DRAWING IS EXPRESSLY PROHIBITED  
 WITHOUT WRITTEN PERMISSION FROM RF INDUSTRIES.  
 ANY VIOLATION IS PUNISHABLE UNDER U.S. COPYRIGHT LAWS.

ALL DIMENSIONS ARE REFERENCE ONLY

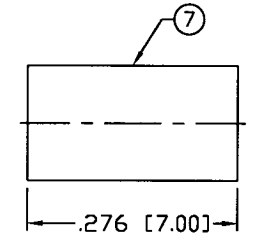
PART NO.

**RSA-3000-A**

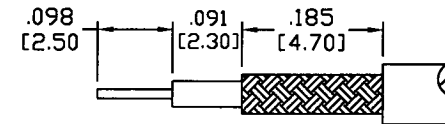
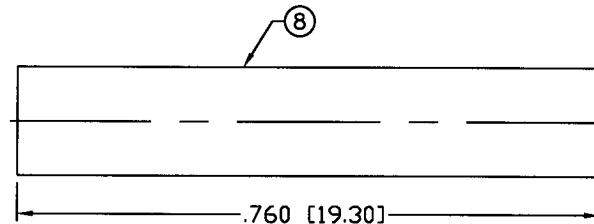
REV	DESCRIPTION	DWN	DATE	APPROVED
-	ENGINEERING RELEASE	CZS	6/29/00	JDMc



SOLDER PIN RECOMMENDED  
OR CRIMP WITH RFA-4089



CRIMP DIE SIZE: .130"



RECOMMENDED STRIPPING DIMENSIONS

**SPECIFICATIONS:**

IMPEDANCE: 50 OHMS  
 FOR RG-178, 178A, 178B, 196 & 196A/U CABLE

1	SHELL	1	BRASS	NICKEL, 100 MICRO
2	BODY	1	BRASS	NICKEL, 100 MICRO
3	INSULATOR	1	PTFE	---
4	RETAINING RING	1	Be. Cu.	---
5	GASKET	1	SILICONE	RED
6	PIN	1	BRASS	GOLD, 50 MICRO
7	FERRULE	1	COPPER	NICKEL, 100 MICRO
8	SHRINK TUBING	1	---	---
9				
10				
11				
12				
13				
14				
#	DESCRIPTION	QTY	MATRL	FINISH

008974	
DRAWN	C. ZUNIGA
CHECKED	<i>JDM</i> 3-12-01
ORJ DRAWN	C. ZUNIGA
APPROVALS	DATE
	3/12/01

UNLESS OTHERWISE SPECIFIED:

- REMOVE ALL BURRS
- BREAK ALL CORNERS & EDGES .005 R. MAX.
- CHAMFER 1ST & LAST THREADS 45°
- SURFACE ROUGHNESS 63 FINISH MIL-STD-10
- DIAMETERS ON COMMON CENTERS TO BE CONCENTRIC WITHIN .002 T.I.R.
- ALL DIMENSIONS ARE AFTER PLATING.

DIMENSIONS ARE IN INCHES AND [MILLIMETERS]  
 UNLESS OTHERWISE NOTED TOLERANCES ARE:

DECIMALS	DIAMETER
.xxx±.003 [.08]	.xxx±.001 [.03]
.xx±.005 [.13]	.xx±.003 [.08]

7610 MIRAMAR RD  
 SAN DIEGO, CA 92126  
 (858) 549-6340  
 (858) 549-6345 FAX

**RF connectors**  
 DIVISION OF RF INDUSTRIES, LTD.

## SMA PLUG, CRIMP

SIZE	CABLE GROUP	DWG NO.	REV
A	A	RSA-3000-A	-

SCALE: NTS      CAD FILE OUTLINE      SHEET 1 OF 1