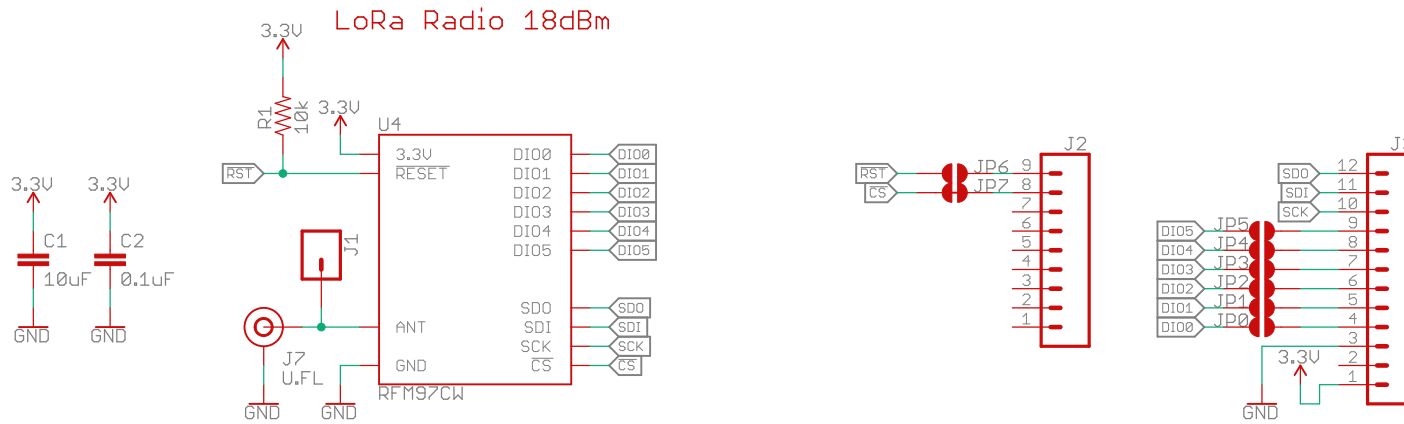


### Microstrip Calculation:

Copper Thickness (1oz): 1.4mil/0.035mm  
Board thickness: 1.6mm  
Dielectric thickness: 1.53mm  
Er: 4.5  
Polygon Isolation: 4mil/0.1016mm  
RF Trace Width: 29.1mil/0.74mm  
<https://cheerandys.com/calculators/coplanar-waveguide-with-ground-calculator.htm>



Antenna length (1/4 wave)  
915MHz: 3.07" = 78mm

**SPARK X**

  
open hardware

Released under the Creative Commons  
Attribution Share-Alike 4.0 License  
<https://creativecommons.org/licenses/by-sa/4.0/>



TITLE: SparkFun\_RFM97CW\_Breakout

Design by:

REV:  
x02

Date: 9/9/2021 9:29 AM

Sheet: 1/1