

DO NOT SCALE FROM THIS PRINT

**USB-A-S-X-X-TH-X**

TYPE  
-A

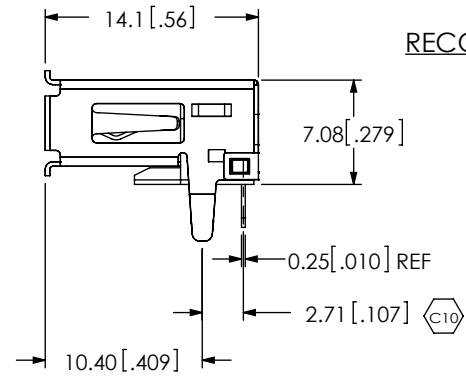
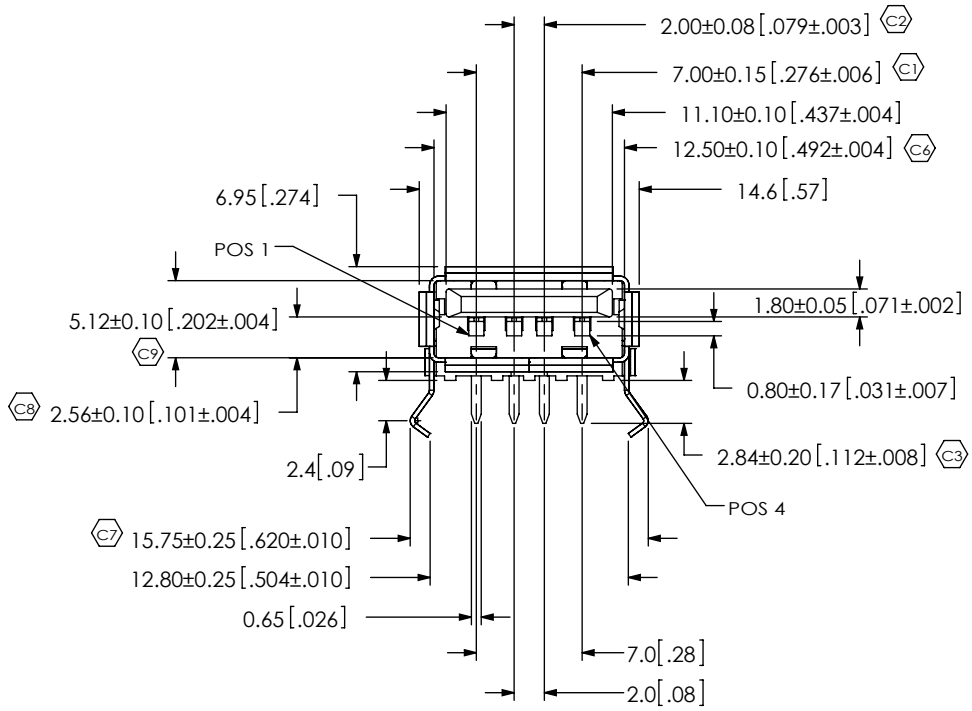
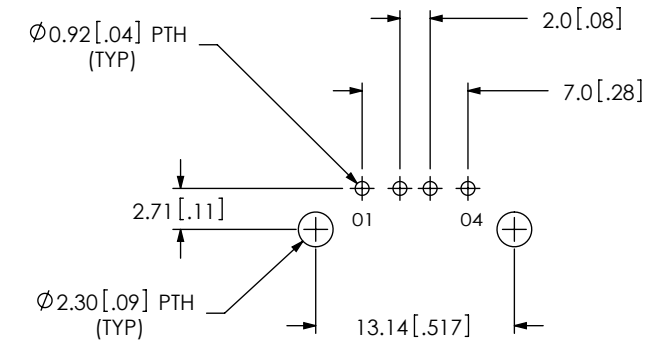
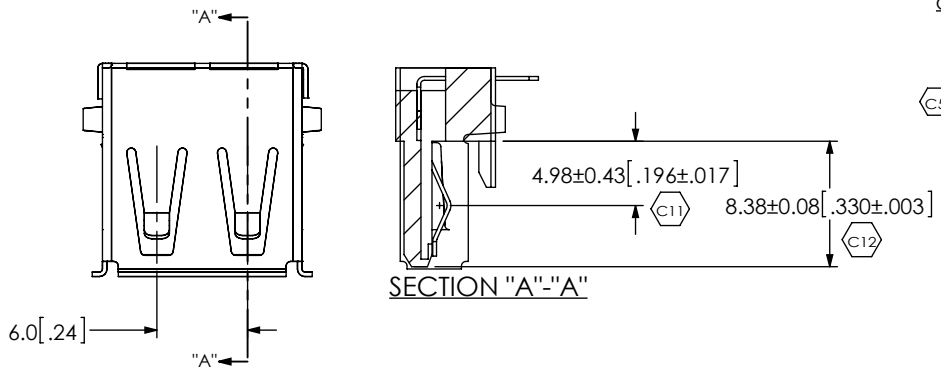
E&I OPTION  
-R: RoHS COMPLIANT

TERMINATION  
-TH: THRU HOLE

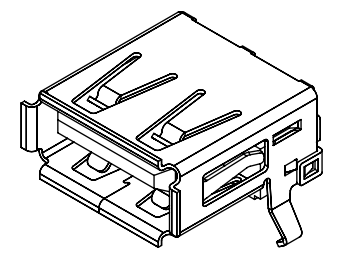
COLOR  
-B: BLACK  
-W: WHITE

CONFIGURATION  
-S: SINGLE

PLATING SPECIFICATION  
 C5 -F: GOLD FLASH ON MATING AREA  
 MATTE TIN ON TAILS  
 -S: SELECTIVE, .000030 GOLD ON MATING AREA  
 MATTE TIN ON TAILS



RECOMMENDED PCB LAYOUT



- NOTES:
1. C REPRESENTS A CRITICAL DIMENSION.
  2. NOTE DELETED.

UNLESS OTHERWISE SPECIFIED, DIMENSIONS ARE IN MM[IN]. TOLERANCES ARE: DECIMALS      ANGLES .X: ±.3 [.01]      2° .XX: ±.13 [.005] .XXX: ±.05 [.0020]	* PROPRIETARY NOTE THIS DOCUMENT CONTAINS CONFIDENTIAL AND PROPRIETARY INFORMATION AND ALL DESIGN, MANUFACTURING, REPRODUCTION, USE, PATENT RIGHTS AND SALES RIGHTS ARE EXPRESSLY RESERVED BY SAMTEC, INC. THIS DOCUMENT SHALL NOT BE DISCLOSED, IN WHOLE OR PART, TO ANY UNAUTHORIZED PERSON OR ENTITY NOR REPRODUCED, TRANSFERRED OR INCORPORATED IN ANY OTHER PROJECT IN ANY MANNER WITHOUT THE EXPRESS WRITTEN CONSENT OF SAMTEC, INC.		520 PARK EAST BLVD, NEW ALBANY, IN 47150 PHONE: 812-944-6733    FAX: 812-948-5047 e-Mail: info@SAMTEC.com    code: 55322
			DESCRIPTION: USB A, SINGLE, THRU HOLE
MATERIAL:      DO NOT SCALE DRAWING      SHEET SCALE: 2:1	INSULATOR: PBT, (RATED UL 94V-0) CONTACT: PHOSPHOR BRONZE SHIELD: BRASS, NICKEL PLATED MAX FLASH ALLOWED: .05 MAX GATE VESTIGE: .05	DWG. NO. <b>USB-A-S-X-X-TH-X</b>	BY: TIM P.      1/11/06      SHEET 1 OF 1