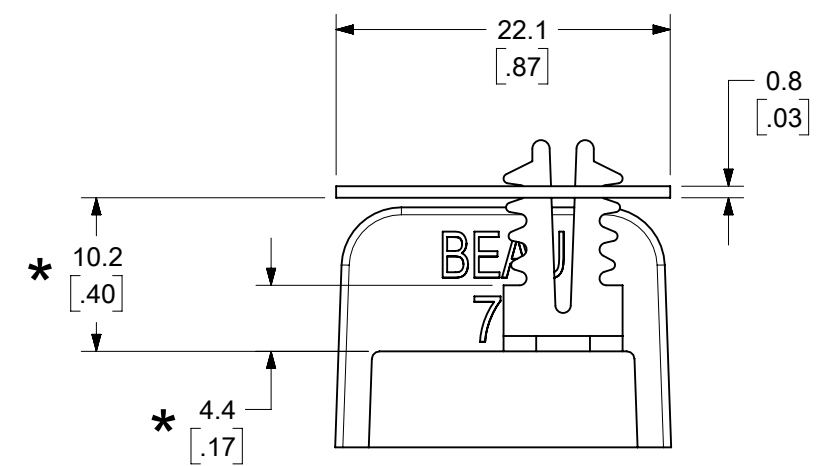
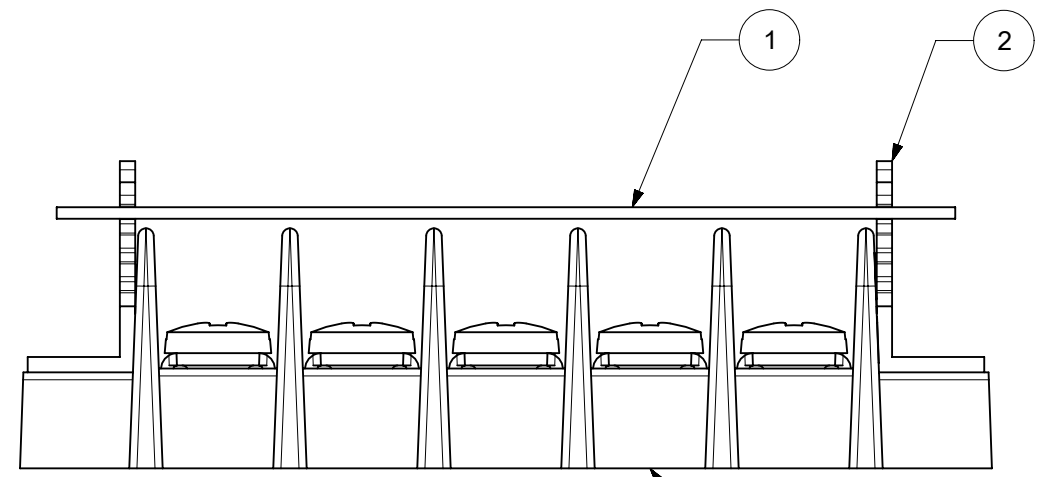
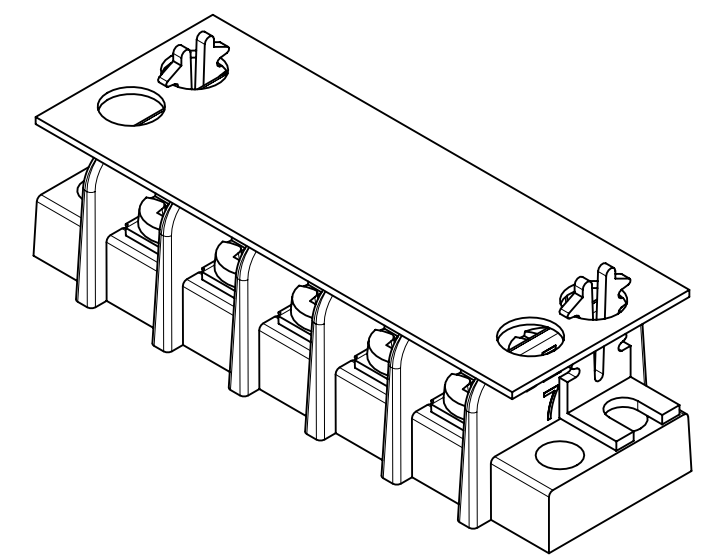
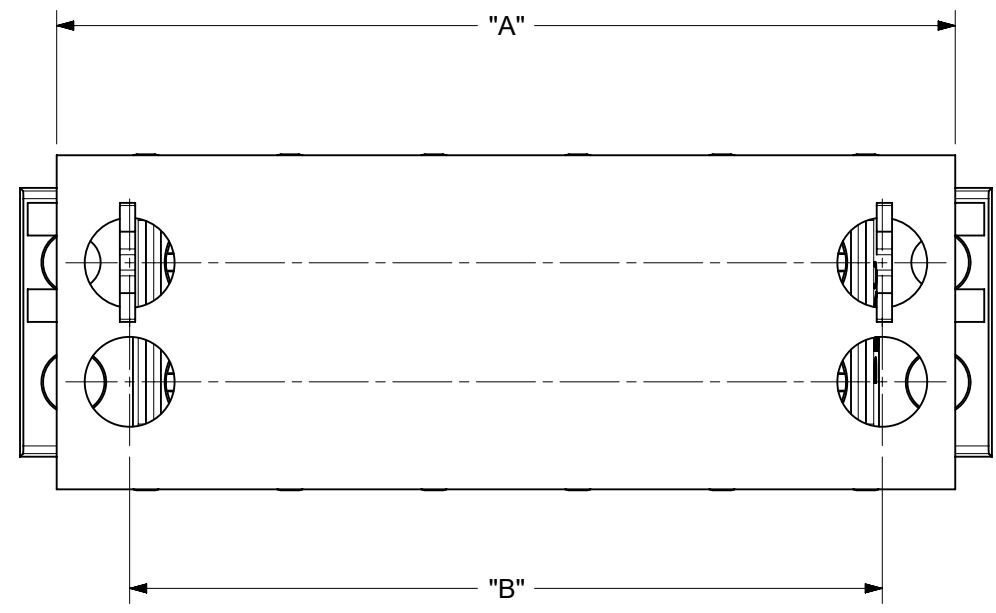


NO. OF CIRC.	DIM "A"		DIM "B"		KIT MAT #
	mm	INCH	mm	INCH	
2	31.0	[1.22]	21.3	[.84]	387736402
3	40.4	[1.59]	30.9	[1.21]	387736403
4	50.0	[1.97]	40.4	[1.59]	387736404
5	59.4	[2.34]	49.9	[1.96]	387736405
6	69.0	[2.72]	59.4	[2.34]	387736406
7	78.5	[3.09]	69.0	[2.71]	387736407
8	88.0	[3.47]	78.5	[3.09]	387736408
9	97.5	[3.84]	88.0	[3.46]	387736409
10	107.1	[4.22]	97.5	[3.84]	387736410
11	116.6	[4.59]	107.1	[4.21]	387736411
12	126.1	[4.97]	116.6	[4.59]	387736412
13	135.6	[5.34]	126.1	[4.96]	387736413
14	145.2	[5.72]	135.6	[5.34]	387736414
15	154.7	[6.09]	145.2	[5.71]	387736415
16	164.2	[6.47]	154.7	[6.09]	387736416
17	173.7	[6.84]	164.2	[6.46]	387736417
18	183.3	[7.22]	173.7	[6.84]	387736418
19	192.8	[7.59]	183.3	[7.21]	387736419
20	202.3	[7.97]	192.8	[7.59]	387736420
21	211.8	[8.34]	202.3	[7.96]	387736421
22	221.4	[8.72]	211.8	[8.34]	387736422
23	231.0	[9.09]	221.4	[8.71]	387736423
24	240.4	[9.47]	230.9	[9.09]	387736424
25	250.0	[9.84]	240.4	[9.46]	387736425
26	259.5	[10.22]	249.9	[9.84]	387736426
27	269.0	[10.59]	259.5	[10.21]	387736427
28	278.5	[10.97]	269.0	[10.59]	387736428
29	288.0	[11.34]	278.5	[10.96]	387736429
30	297.6	[11.72]	288.0	[11.34]	387736430



REF. 387600105 SHOWN

- NOTES:
1. MATERIAL: SEE TABLE
 2. FINISHES: SEE TABLE
 3. PRODUCT SPECIFICATION: NOT REQUIRED
 4. PARTS SUPPLIED UNASSEMBLED
 5. MATES WITH: 14, 76 AND 77 SERIES BTS
 6. (*) DIMENSIONS INDICATE MAX. AND MIN. COVER HEIGHT
 7. ROHS COMPLIANT

ITEM	QTY.	DESCRIPTION	MATERIAL	FINISH
2	2	COVER CLIPS	ACETAL	NATURAL
1	1	BTS COVER	VULCANIZED FIBER	BLACK

TOLERANCES			
MM	TOL	INCH	TOL
0-6	±0.25	0-.24	±.010
>6-30	±0.40	.24-1.18	±.016
>30-120	±0.50	1.18-4.76	±.020
>120	±0.80	>4.76	±.031

FUNCTIONAL SYMBOLS		THIS DRAWING CONTAINS INFORMATION THAT IS PROPRIETARY TO MOLEX ELECTRONIC TECHNOLOGIES, LLC AND SHOULD NOT BE USED WITHOUT WRITTEN PERMISSION		CURRENT REV DESC: MIGRATED TO ECTR/NX & ADDED TOLERANCE TABLE	
FA = 0	MM/INCH	SCALE	2:1	EC NO: 639830	
FE = 0	GENERAL TOLERANCES (UNLESS SPECIFIED)		DRWN: ABENJAMINLW		2020/05/20
FF = 0	4 PLACES	MM	INCH	CHK'D: MBRZOWSKI	2020/05/27
DIVISIONAL SYMBOLS		3 PLACES	SEE CHART	APPR: JFMURPHY	2020/08/11
		2 PLACES	SEE CHART	INITIAL REVISION:	
		1 PLACE	SEE CHART	DRWN: JENCINAS	2009/04/09
		0 PLACES	SEE CHART	APPR: JMACNEIL	2009/04/13
		ANGULAR TOL ± ---		THIRD ANGLE PROJECTION	
		DRAFT WHERE APPLICABLE MUST REMAIN WITHIN DIMENSIONS		DRAWING	SERIES
				B-SIZE	38773
				MATERIAL NUMBER	CUSTOMER
				SEE CHART	GENERAL MARKET
				SHEET NUMBER	
				1 OF 1	

molex

BTS COVER KIT, FLAT

PRODUCT CUSTOMER DRAWING

DOCUMENT NUMBER: SD-38773-001

DOC TYPE: PSD

DOC PART: 001

REVISION: B1