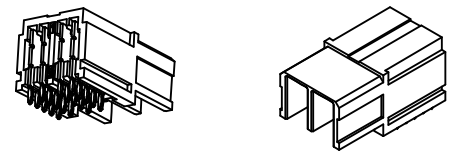
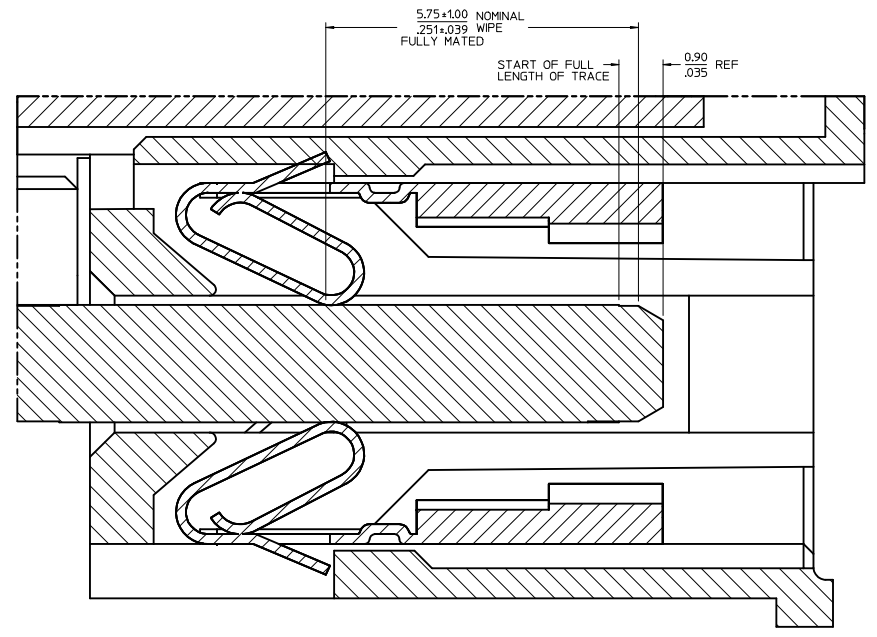
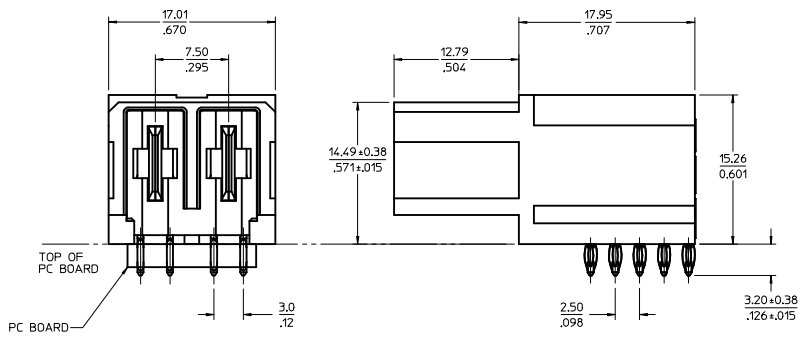


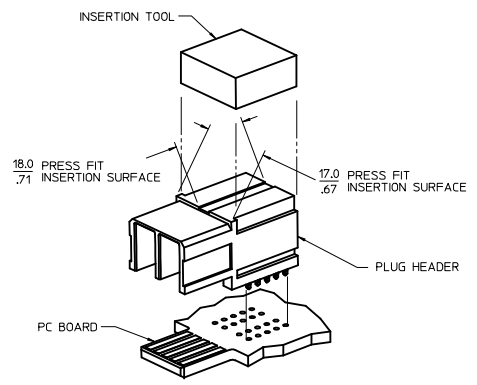
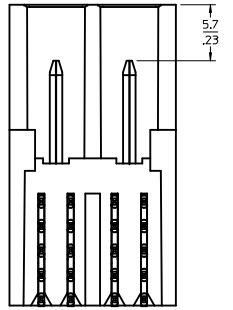
| PART NUMBER | DESCRIPTION | PC TAIL PLATING |
|-------------|-------------|--|
| 46437-1259 | TIN TAILS | 30μ IN GOLD IN THE CONTACT AREA 100μ IN TIN IN THE PC TAIL AREA OVER 50μ IN NICKEL OVERALL |



- NOTES:
- MATERIAL: HOUSING: HIGH TEMPERATURE THERMOPLASTIC, UL94-V0, COLOR: BLACK
TERMINALS: COPPER ALLOY
 - FINISH: HOUSING: NONE
TERMINALS: SEE CHART
 - PRODUCT SPECIFICATION: PS-46735-001
 - PACKAGING SPECIFICATION: PK-46437-004
 - MATING RECEPTACLE 46735 SERIES
 - PC BOARD HOLES ARE FOR PRESS FIT TYPE TERMINALS
 - PC BOARD HOLES TO BE PLATED THRU HOLES
 - TO PRESS FIT CONNECTOR ONTO PC BOARD, USE "FLAT ROCK" METHOD OF INSERTION OVER THE PRESS FIT TAIL PORTION OF CONNECTOR AS SHOWN

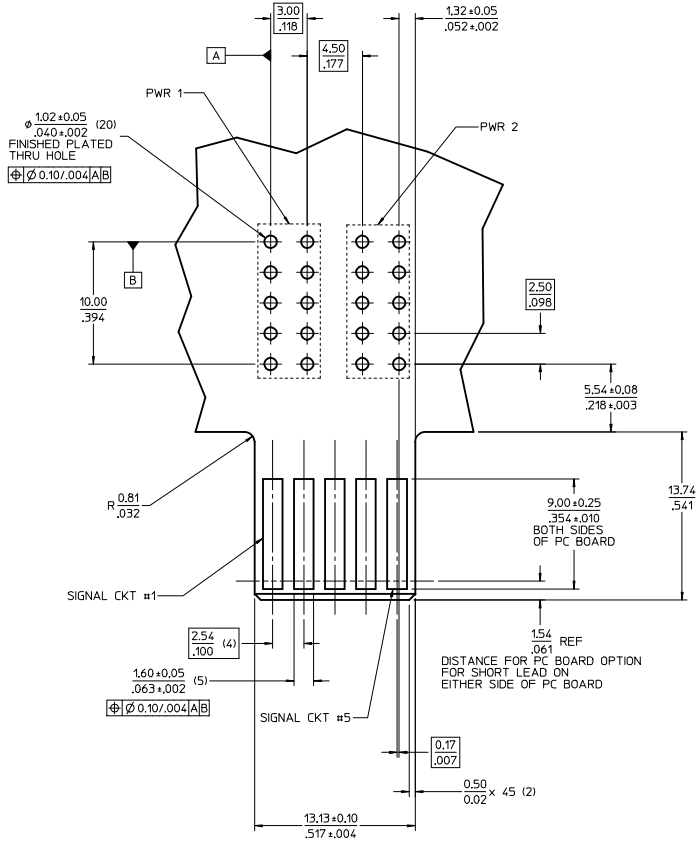


CROSS SECTION OF CONNECTOR WITH PC BOARD
SCALE 20:1

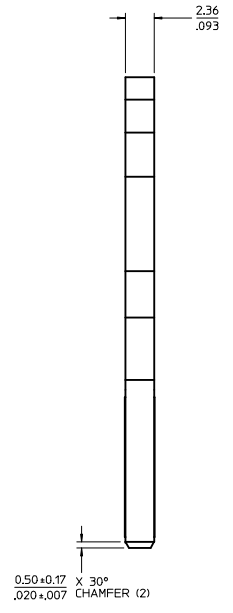


FLAT ROCK INSTALLATION
SEE NOTE 8

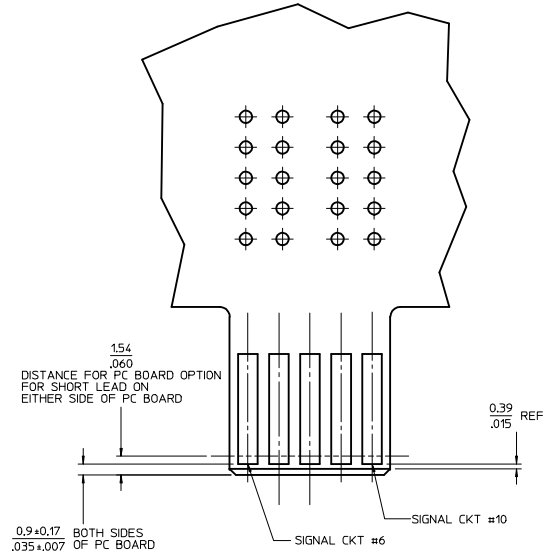
| | | | | | | | |
|--|---|---|-----------------|---|---|------------------------|---------------------|
| REM P/N FROM CHART IEC NO. UCF2012-4269 DRAWN/QUILLES 2012/06/25 CHKD/MONTA 2012/06/25 APPR/APATEL 2012/07/02 REV DESCRIPTION | QUALITY SYMBOLS | GENERAL TOLERANCES (UNLESS SPECIFIED) | DIMENSION STYLE | SCALE | DESIGN UNITS | THIRD ANGLE PROJECTION | |
| | ∇=0 ∇=0 ∇=0 | mm INCH 4 PLACES ± --- ± --- 3 PLACES ± --- ± .008 2 PLACES ± 0.20 ± .012 1 PLACE ± 0.3 ± --- ANGULAR ± 1/2° | MM/IN 4:1 | DRAWN BY DATE MDATA 2008/11/05 CHECKED BY DATE MDATA 2008/11/05 APPROVED BY DATE APATEL 2010/10/26 | TITLE ASSEMBLY, PLUG MULTI STACK CONNECTOR PRESS FIT | MOLEX INCORPORATED | SHEET NO. 1 OF 2 |
| | DRAFT WHERE APPLICABLE MUST REMAIN WITHIN DIMENSIONS | SEE CHART | DOCUMENT NO. | SD-46437-159 | | | |
| | THIS DRAWING CONTAINS INFORMATION THAT IS PROPRIETARY TO MOLEX INCORPORATED AND SHOULD NOT BE USED WITHOUT WRITTEN PERMISSION | | | | | | |



COMPONENT SIDE



SIDE VIEW



SOLDER SIDE

PC BOARD LAYOUT

PC BOARD LAYOUT DEPICTS A GENERAL SPECIFICATION OF THE PC BOARD REQUIREMENTS. LAST MAKE FIRST BREAK TRACES TO BE DETERMINED BY END USER.

| | | | | | | | | | |
|--|--------------------------------------|--|---|---|---|--|------------------------|--|--|
| SEE SHT 1 IEC NO: UCF2012-4269 2012/06/25 CHYK/MATA 2012/06/25 APPR:APATEL 2012/07/02 | QUALITY SYMBOLS ▽=0 ▽=0 ▽=0 | GENERAL TOLERANCES (UNLESS SPECIFIED) | | DIMENSION STYLE MM/IN | SCALE 4:1 | DESIGN UNITS METRIC | THIRD ANGLE PROJECTION | | |
| | | 4 PLACES \pm --- \pm --- 3 PLACES \pm --- \pm .008 2 PLACES \pm 0.20 \pm .012 1 PLACE \pm 0.3 \pm --- | mm INCH | DRAWN BY MDATA DATE 2008/11/05 | CHECKED BY MDATA DATE 2008/11/05 | TITLE ASSEMBLY, PLUG MULTI STACK CONNECTOR PRESS FIT | | | |
| | | ANGULAR \pm 1/2° | DRAFT WHERE APPLICABLE MUST REMAIN WITHIN DIMENSIONS | MATERIAL NO. SEE CHART | APPROVED BY APATEL DATE 2010/10/26 | MOLEX INCORPORATED | | | |
| | | SIZE D | THIS DRAWING CONTAINS INFORMATION THAT IS PROPRIETARY TO MOLEX INCORPORATED AND SHOULD NOT BE USED WITHOUT WRITTEN PERMISSION | DOCUMENT NO. SD-46437-159 | SHEET NO. 2 OF 2 | | | | |