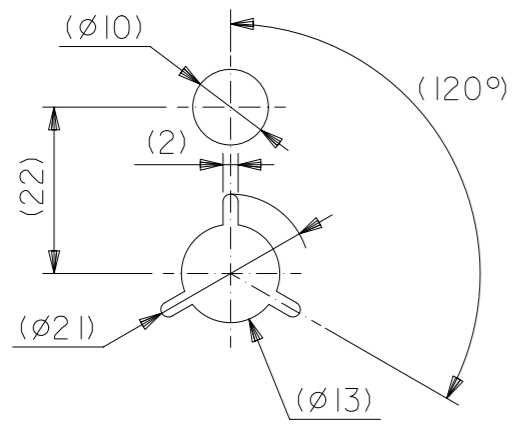
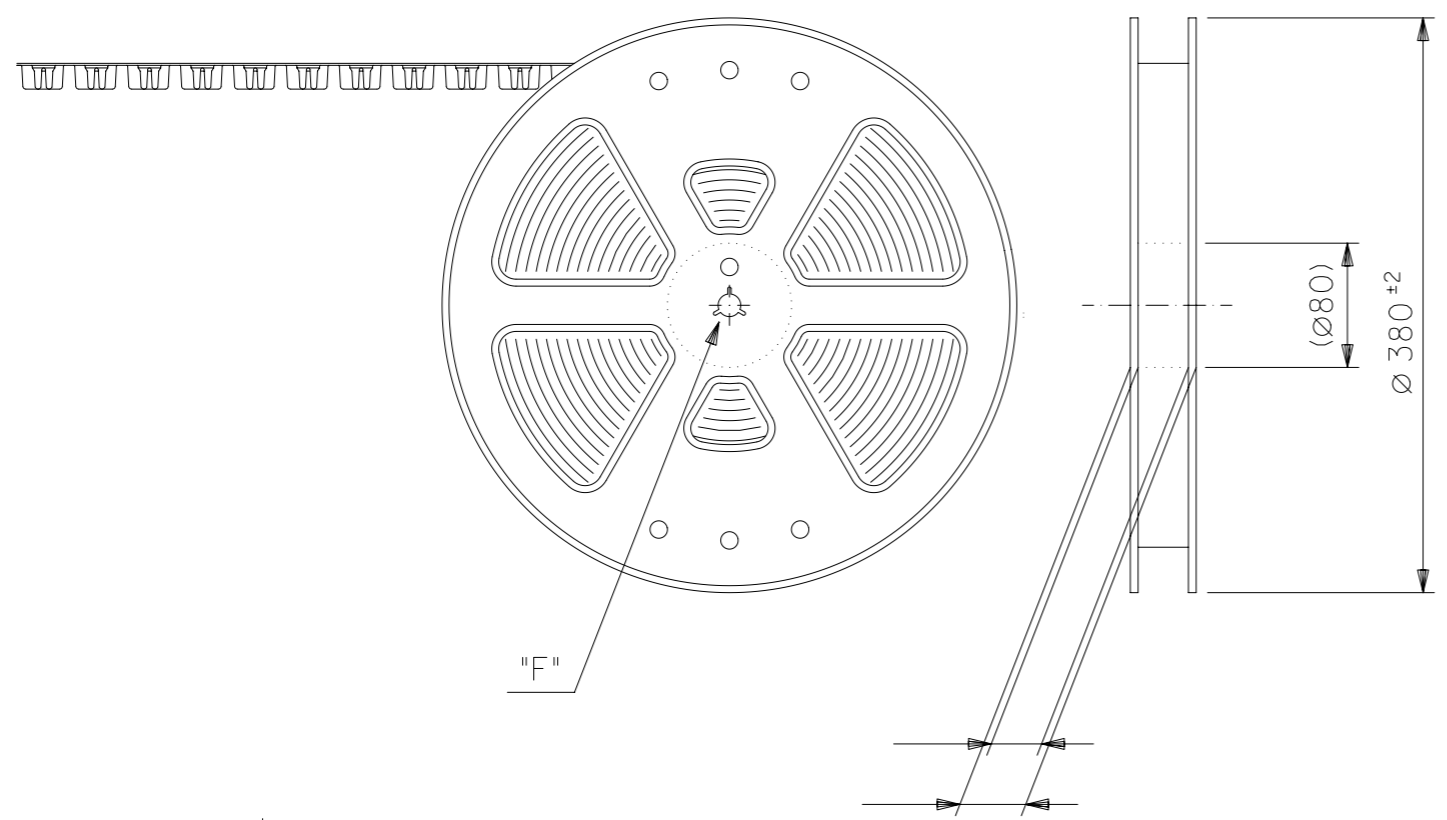


引き出し方向
PULL OUT

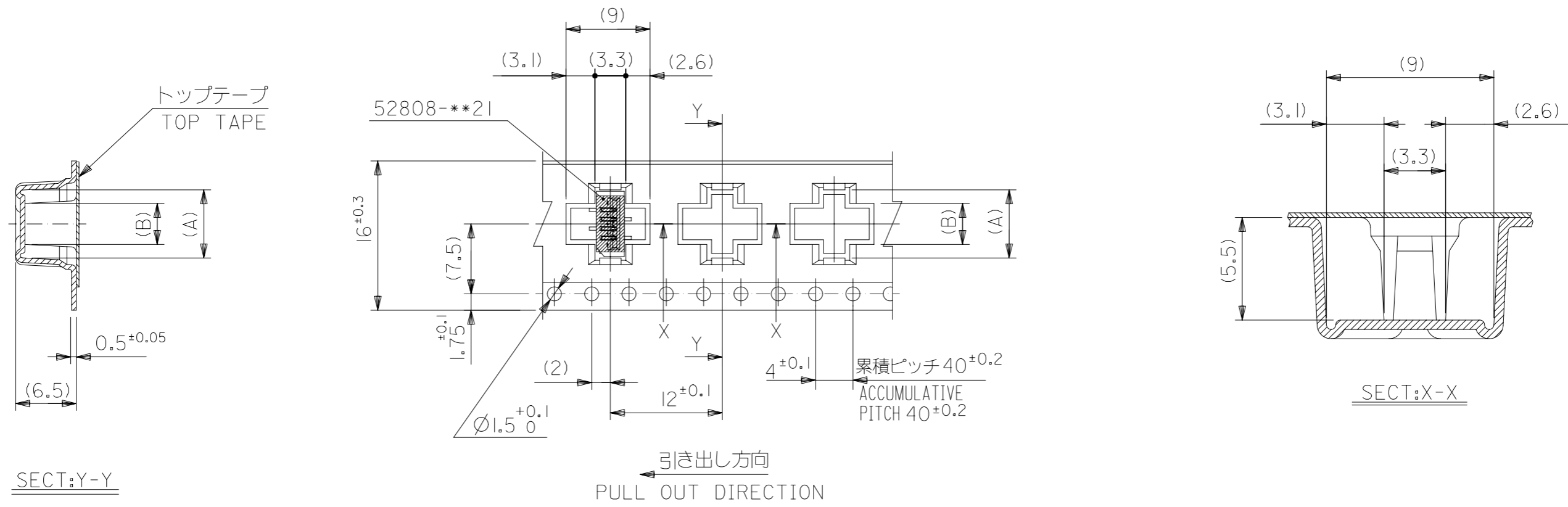


DETAIL "F"

NOTE

- 製品詳細寸法については528081003_000を参照下さい。
RE DETAILED DIMENSION, SEE 528081003_000
- 梱包数量:1000個/リール
NUMBER OF CONNECTORS:1000PCS/REEL
- リードテープ長さ LEAD TAPE LENGTH
- カバーテープの剥離強度については IEC 60286-3 に準拠
COVER TAPE PEEL FORCE IS DEFINED BY IEC 60286-3
- 材料 (MATERIAL)
 キャリアテープ(CARRIER TAPE):ポリプロピレン(POLYPROPYLENE)
 トップテープ(TOP TAPE):PET,PE, PEF
 リール(REEL):ポリスチレン(PS) 〈リサイクル材を含む〉
 POLYSTYREN(PS) 〈RECYCLE MATERIAL CONTAINED〉
- 本製品は52808シリーズの金メッキ品です。
THIS PRODUCT IS Au PLATING OF 52808 SERIES.
- ELV 及び RoHS適合品
ELV AND RoHS COMPLIANT.

THIS DRAWING CONTAINS INFORMATION THAT IS PROPRIETARY TO MOLEX ELECTRONIC TECHNOLOGIES, LLC AND SHOULD NOT BE USED WITHOUT WRITTEN PERMISSION														
RELEASED	EC NO. 102654	DRWN: MTAKAHASHI04	CHK'D: TKUSUHARA01	APPR: TKUSUHARA01	DATE: 2016/01/28	DATE: 2016/01/28	DATE: 2016/01/28	GENERAL TOLERANCES (UNLESS SPECIFIED)						
					4 PLACES	± 0.0	DIMENSION UNITS		SCALE					
					3 PLACES	± 0.0	mm	≠≠						
					2 PLACES	± 0.0	DRWN BY		DATE					
					1 PLACE	± 0.0	MTAKAHASHI04	2016/01/21						
				0 PLACES	± 0.0	CHK'D BY		DATE						
				DRAFT WHERE APPLICABLE MUST REMAIN WITHIN DIMENSIONS		KTAKAHASHI								
						APPR BY		DATE	PRODUCT CUSTOMER DRAWING					
						TKUSUHARA01		2016/01/28		SERIES	MATERIAL NUMBER	CUSTOMER		
						DRAWING SIZE		THIRD ANGLE PROJECTION		52808	SEE CHART	GENERAL		
						A3				DOCUMENT NUMBER		DOC TYPE	DOC PART	SHEET NUMBER
										528080003		PSD	000	1 OF 6

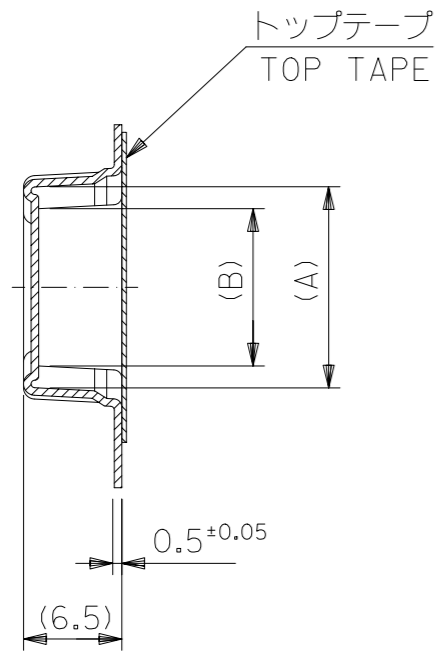


16mm幅キャリアテープ
16mm WIDTH CARRIER TAPE

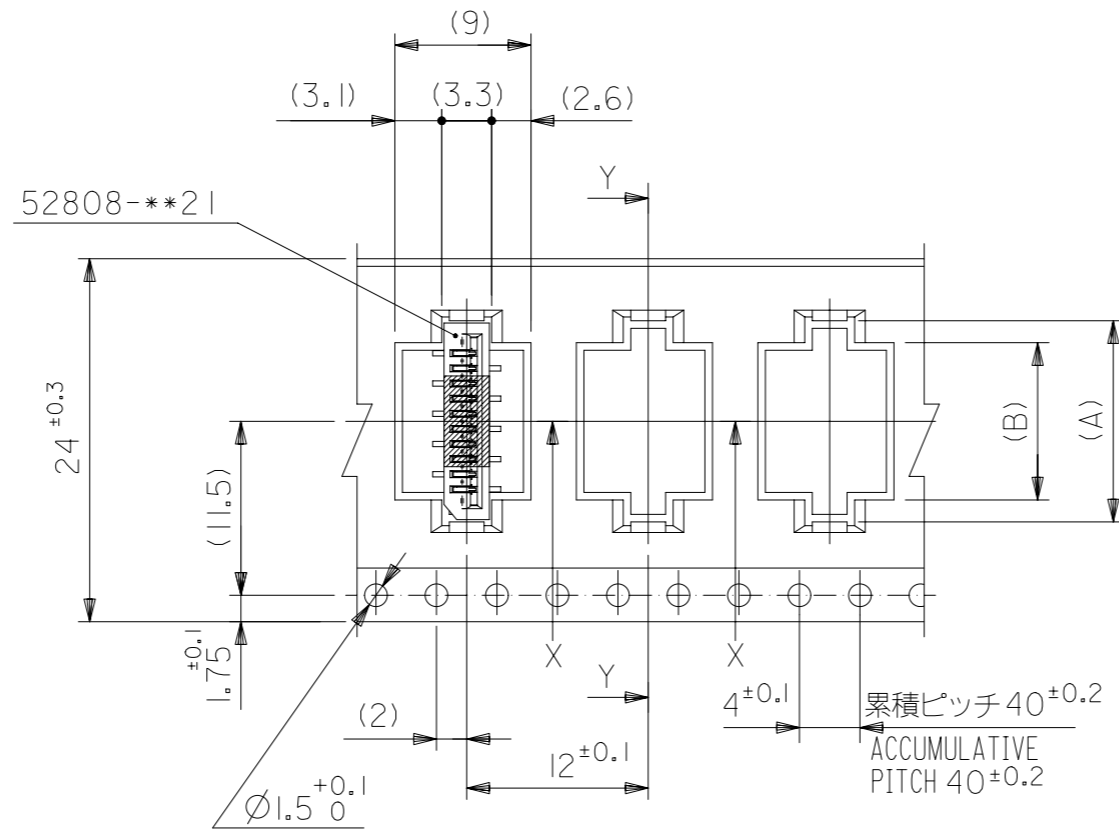
16	21.4	17.4	5.4	8.3	52808-0573	5
			4.4	7.3	52808-0473	4
キャリアテープ幅 CARRIER TAPE WIDTH	D	C	(B)	(A)	EMBOSSED PACKAGE オーダー番号 ORDER NO.	極数 CKT.
					MODEL NO.	52808-***73

THIS DRAWING CONTAINS INFORMATION THAT IS PROPRIETARY TO MOLEX ELECTRONIC TECHNOLOGIES, LLC AND SHOULD NOT BE USED WITHOUT WRITTEN PERMISSION

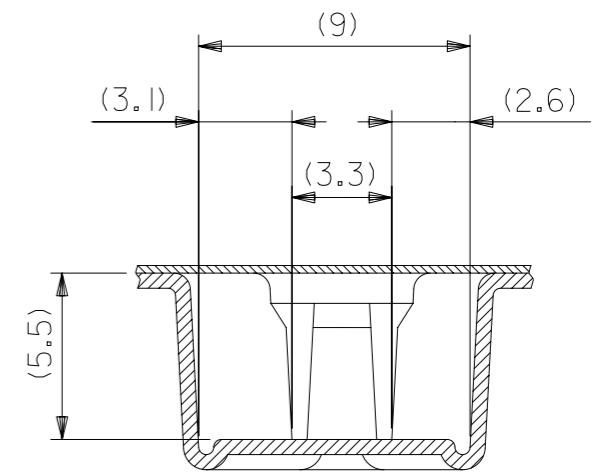
EC NO: 102654 DRWN: MTAKAHASHI04 CHK'D: TKUSUHARA01 APPR: TKUSUHARA01	2016/01/21 2016/01/28 2016/01/28	GENERAL TOLERANCES (UNLESS SPECIFIED) ANGULAR TOL ± 0.0° 4 PLACES ± 0.0 3 PLACES ± 0.0 2 PLACES ± 0.0 1 PLACE ± 0.0 0 PLACES ± 0.0	DIMENSION UNITS: mm SCALE: ±± DRWN BY: MTAKAHASHI04 DATE: 2016/01/21 CHK'D BY: KTAKAHASHI DATE: APPR BY: TKUSUHARA01 DATE: 2016/01/28			
	RELEASED A	DRAFT WHERE APPLICABLE MUST REMAIN WITHIN DIMENSIONS	DRAWING SIZE: A3 THIRD ANGLE PROJECTION	1.0 FFC CONN NON ZIF SMT ST PKG		
				PRODUCT CUSTOMER DRAWING		
			SERIES: 52808 MATERIAL NUMBER: SEE CHART CUSTOMER: GENERAL			
			DOCUMENT NUMBER: 528080003 DOC TYPE: PSD DOC PART: 000 SHEET NUMBER: 2 OF 6			



SECT:Y-Y



引き出し方向
PULL OUT DIRECTION



SECT:X-X

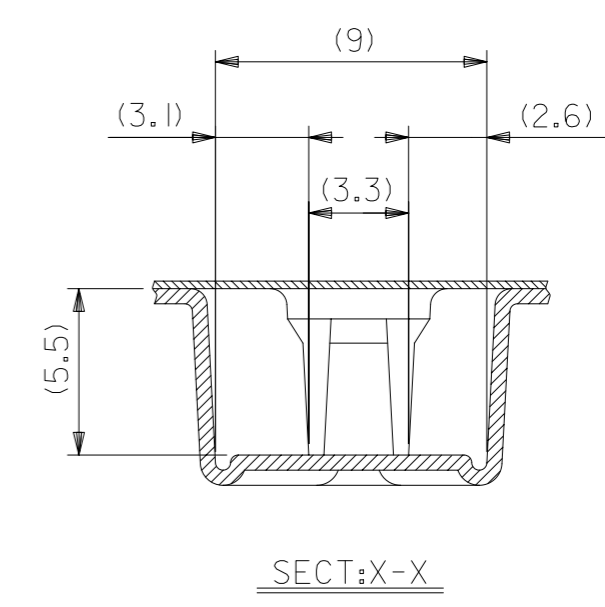
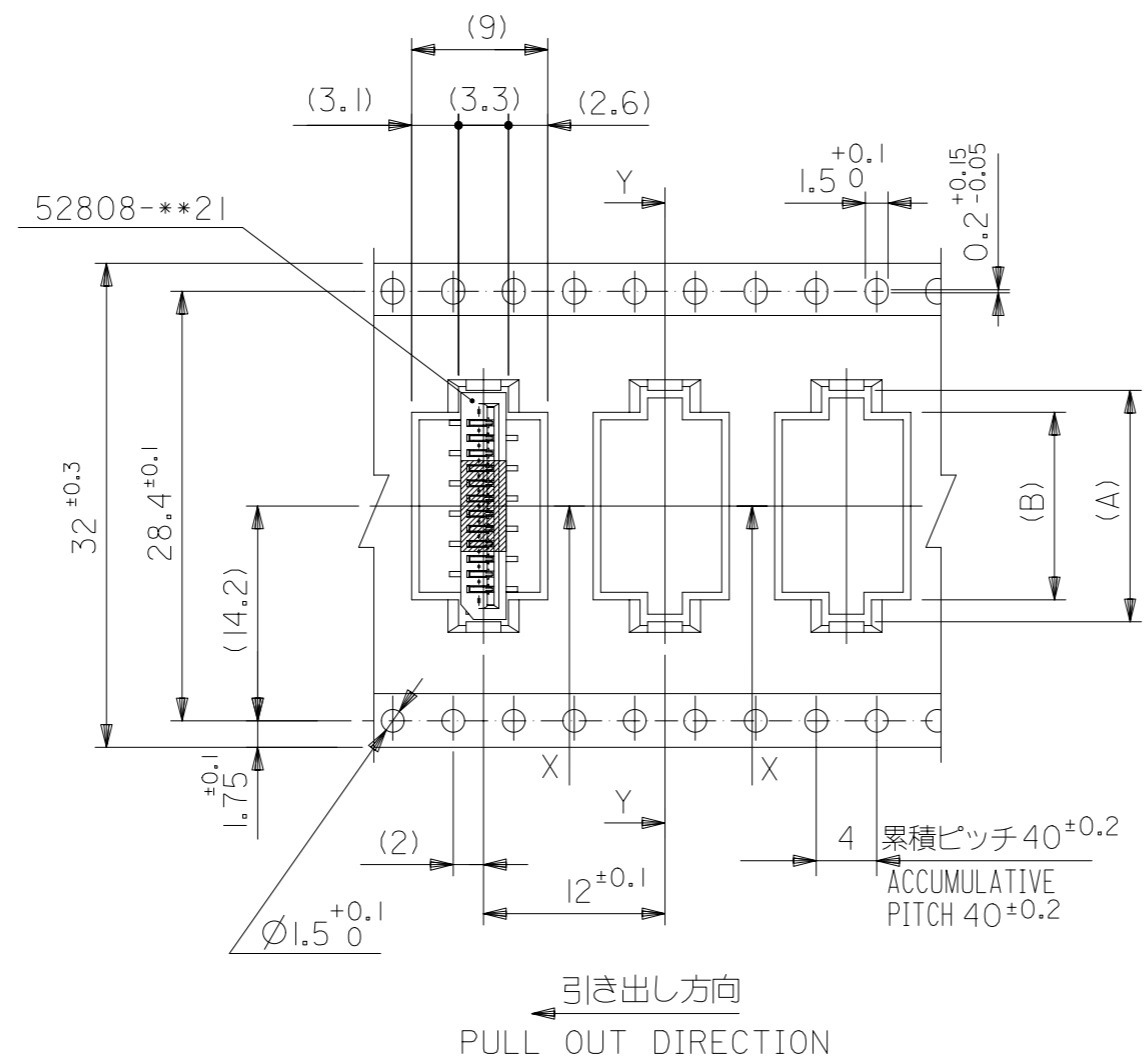
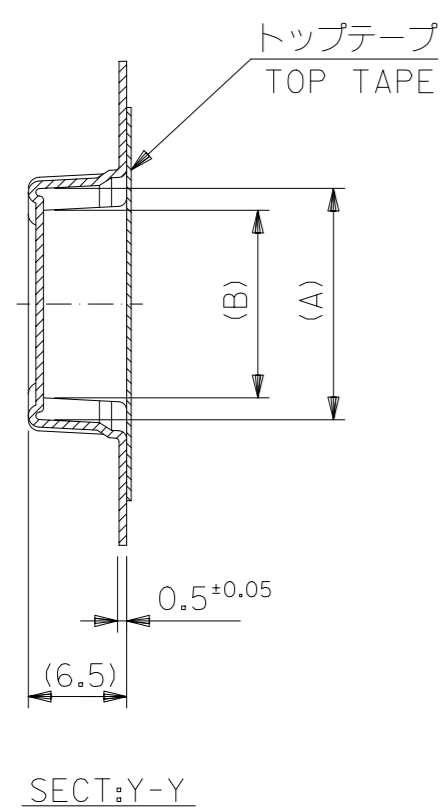
24mm幅キャリアテープ
24mm WIDTH CARRIER TAPE

24	29.4	25.4	10.4	13.3	52808-1073	10
			9.4	12.3	52808-0973	9
			8.4	11.3	52808-0873	8
			7.4	10.3	52808-0773	7
			6.4	9.3	52808-0673	6
キャリアテープ幅 CARRIER TAPE WIDTH		D	C	(B)	(A)	EMBOSSED PACKAGE 極数
						オーダー番号 ORDER NO. CKT.

MODEL NO. 52808-***73

THIS DRAWING CONTAINS INFORMATION THAT IS PROPRIETARY TO MOLEX ELECTRONIC TECHNOLOGIES, LLC AND SHOULD NOT BE USED WITHOUT WRITTEN PERMISSION

EC NO: 102654 DRWN: MTAKAHASHI04 CHK'D: TKUSUHARA01 APPR: TKUSUHARA01	2016/01/21	2016/01/28	2016/01/28	GENERAL TOLERANCES (UNLESS SPECIFIED) ANGULAR TOL ± 0.0° 4 PLACES ± 0.0 3 PLACES ± 0.0 2 PLACES ± 0.0 1 PLACE ± 0.0 0 PLACES ± 0.0 DRAFT WHERE APPLICABLE MUST REMAIN WITHIN DIMENSIONS	DIMENSION UNITS	SCALE		
	2016/01/21	2016/01/28	2016/01/28		mm	≠≠		
	MTAKAHASHI04	TKAKAHASHI	TKUSUHARA01		DRWN BY	DATE		DATE
	TKUSUHARA01	TKUSUHARA01	TKUSUHARA01		CHK'D BY	DATE		DATE
	TKUSUHARA01	TKUSUHARA01	TKUSUHARA01		APPR BY	DATE		DATE
A	REV				DRAWING SIZE	THIRD ANGLE PROJECTION	1.0 FFC CONN NON ZIF SMT ST PKG PRODUCT CUSTOMER DRAWING	
					A3		SERIES: 52808 MATERIAL NUMBER: SEE CHART CUSTOMER: GENERAL	
							DOCUMENT NUMBER: 528080003 DOC TYPE: PSD DOC PART: 000 SHEET NUMBER: 3 OF 6	



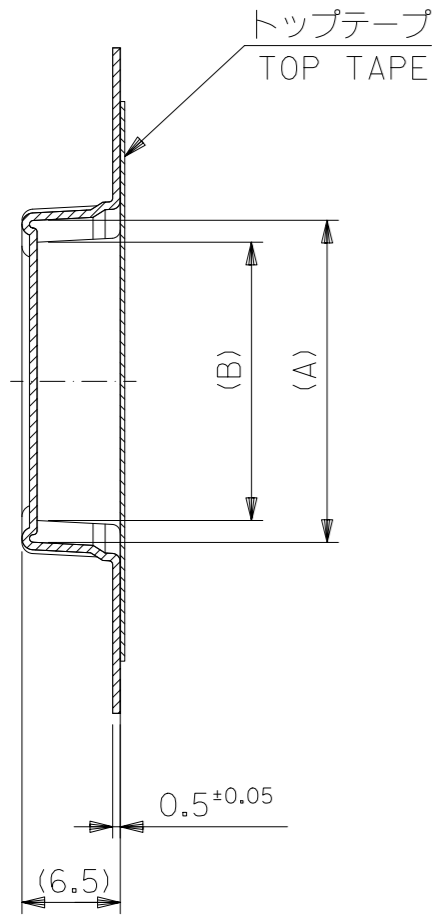
32mm幅キャリアテープ
32mm WIDTH CARRIER TAPE

32	37.4	33.4	15.4	18.3	52808-1973	15	
			14.4	17.3	52808-1773	14	
			13.4	16.3	52808-1573	13	
			12.4	15.3	52808-1373	12	
			11.4	14.3	52808-1173	11	
キャリアテープ幅 CARRIER TAPE WIDTH		D	C	(B)	(A)	EMBOSSED PACKAGE オーダー番号 ORDER NO.	極数 CKT.

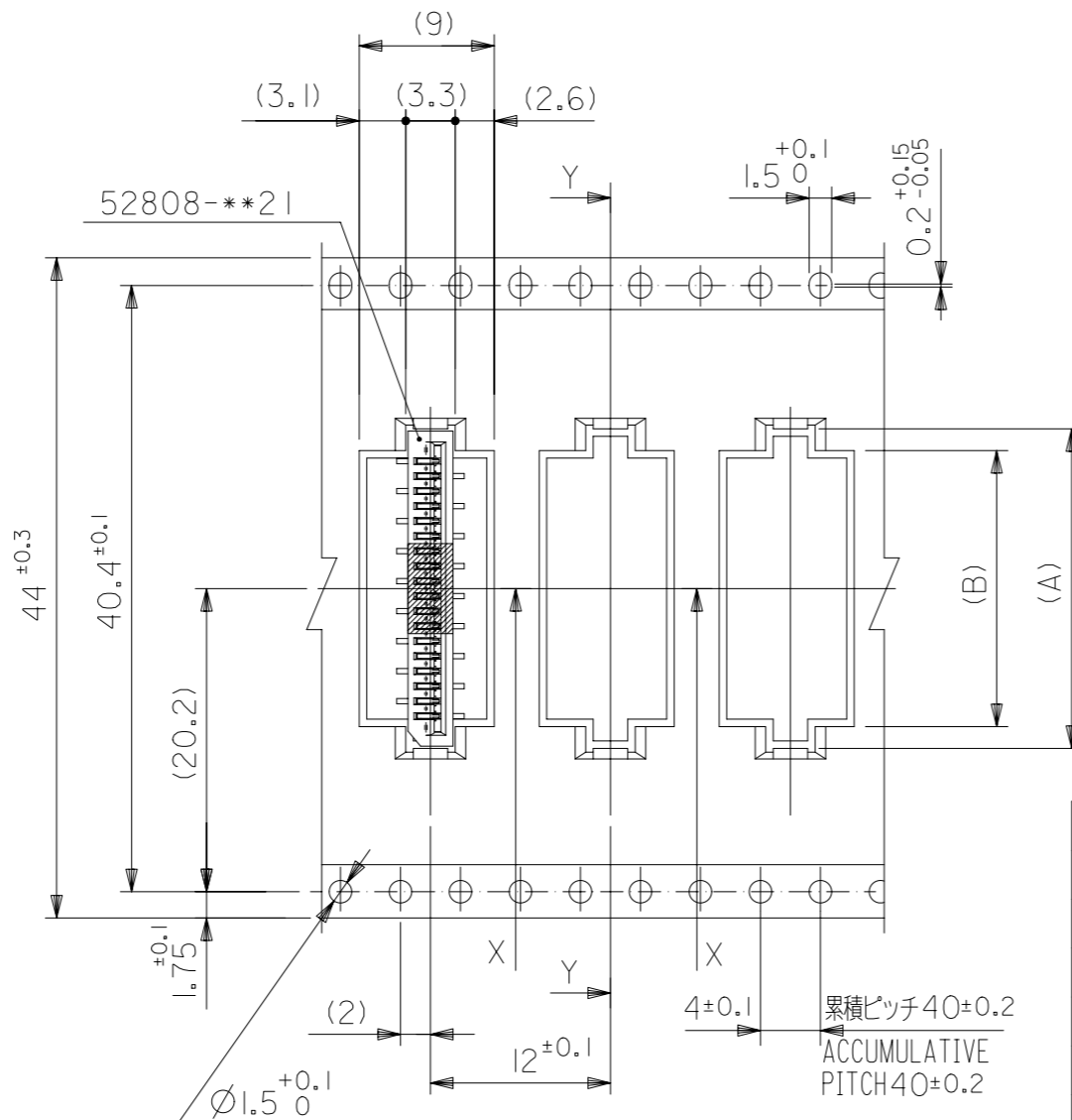
MODEL NO. 52808-***73

THIS DRAWING CONTAINS INFORMATION THAT IS PROPRIETARY TO MOLEX ELECTRONIC TECHNOLOGIES, LLC AND SHOULD NOT BE USED WITHOUT WRITTEN PERMISSION

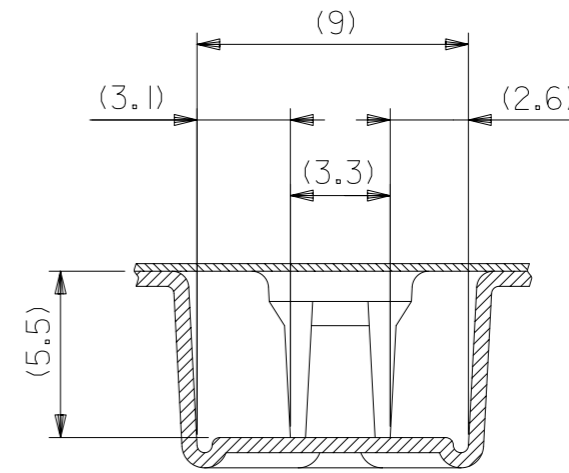
EC NO: 102654 DRWN: MTAKAHASHI04 CHK'D: TKUSUHARA01 APPR: TKUSUHARA01	2016/01/21	2016/01/28	2016/01/28	GENERAL TOLERANCES (UNLESS SPECIFIED) ANGULAR TOL ± 0.0° 4 PLACES ± 0.0 3 PLACES ± 0.0 2 PLACES ± 0.0 1 PLACE ± 0.0 0 PLACES ± 0.0 DRAFT WHERE APPLICABLE MUST REMAIN WITHIN DIMENSIONS	DIMENSION UNITS	SCALE	
	RELEASED	mm	≠≠				
	DRWN BY	DATE	MTAKAHASHI04		2016/01/21		
	CHK'D BY	DATE	KTAKAHASHI				
	APPR BY	DATE	TKUSUHARA01		2016/01/28		
A	REV	DRAWING SIZE	THIRD ANGLE PROJECTION	A3	PRODUCT CUSTOMER DRAWING SERIES: 52808 MATERIAL NUMBER: SEE CHART CUSTOMER: GENERAL DOCUMENT NUMBER: 528080003 DOC TYPE: PSD DOC PART: 000 SHEET NUMBER: 4 OF 6		



SECT:Y-Y



引き出し方向
PULL OUT DIRECTION



SECT:X-X

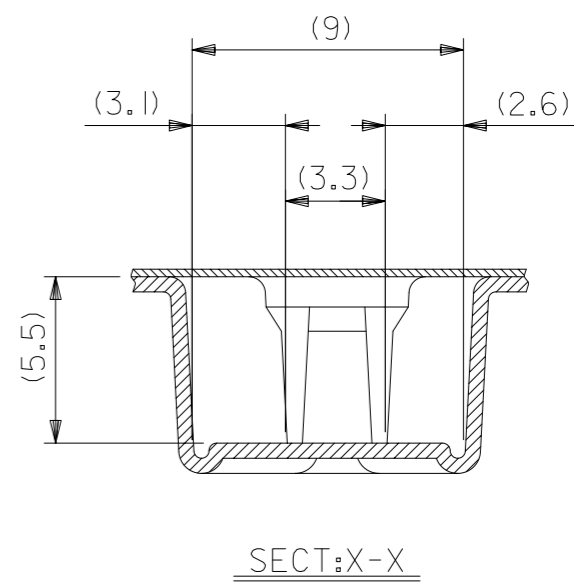
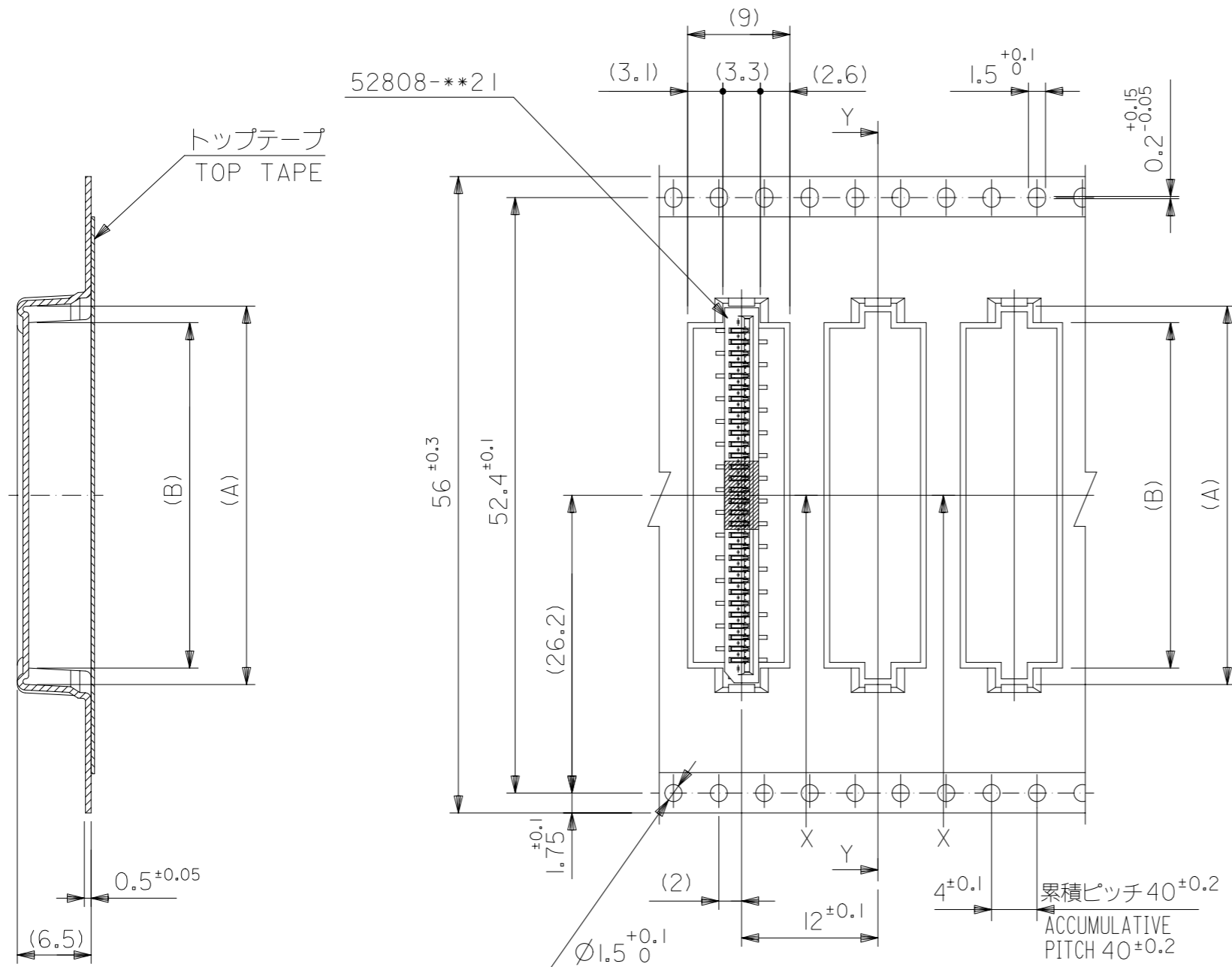
44mm幅キャリアテープ
44mm WIDTH CARRIER TAPE

44	49.4	45.4	28.4	31.3	52808-2873	28		
			27.4	30.3	52808-2773	27		
			26.4	29.3	52808-2673	26		
			25.4	28.3	52808-2573	25		
			24.4	27.3	52808-2473	24		
			23.4	26.3	52808-2373	23		
			22.4	25.3	52808-2273	22		
			21.4	24.3	52808-2173	21		
			20.4	23.3	52808-2073	20		
			19.4	22.3	52808-1973	19		
			18.4	21.3	52808-1873	18		
			17.4	20.3	52808-1773	17		
16.4	19.3	52808-1673	16					
キャリアテープ幅 CARRIER TAPE WIDTH			D	C	(B)	(A)	EMBOSSED PACKAGE オーダー番号 ORDER NO.	極数 CKT.

MODEL NO. 52808-**73

THIS DRAWING CONTAINS INFORMATION THAT IS PROPRIETARY TO MOLEX ELECTRONIC TECHNOLOGIES, LLC AND SHOULD NOT BE USED WITHOUT WRITTEN PERMISSION

EC NO: 102654 DRWN: MTAKAHASHI04 CHK'D: TKUSUHARA01 APPR: TKUSUHARA01	2016/01/21	2016/01/28	2016/01/28	GENERAL TOLERANCES (UNLESS SPECIFIED) ANGULAR TOL ± 0.0° 4 PLACES ± 0.0 3 PLACES ± 0.0 2 PLACES ± 0.0 1 PLACE ± 0.0 0 PLACES ± 0.0 DRAFT WHERE APPLICABLE MUST REMAIN WITHIN DIMENSIONS	DIMENSION UNITS	SCALE	
	RELEASED	2016/01/21	2016/01/28		mm	≠≠	
	DRWN BY	DATE	DATE		MTAKAHASHI04	2016/01/21	
	CHK'D BY	DATE	DATE		KTAKAHASHI		
	APPR BY	DATE	DATE		TKUSUHARA01	2016/01/28	
A	REV	DRAWING SIZE	THIRD ANGLE PROJECTION	A3			1.0 FFC CONN NON ZIF SMT ST PKG
RELEASE STATUS	P1	RELEASE DATE	2016/01/28	04:09:22	PRODUCT CUSTOMER DRAWING		
DOCUMENT NUMBER		DOC TYPE		DOC PART	SHEET NUMBER		
528080003		PSD		000	5 OF 6		



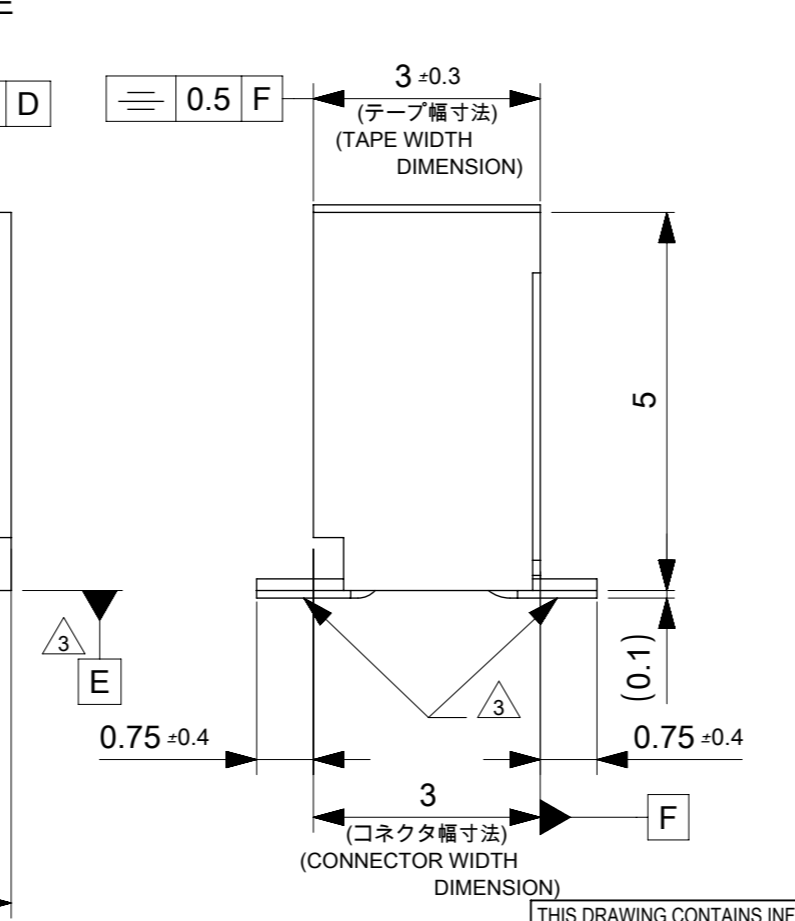
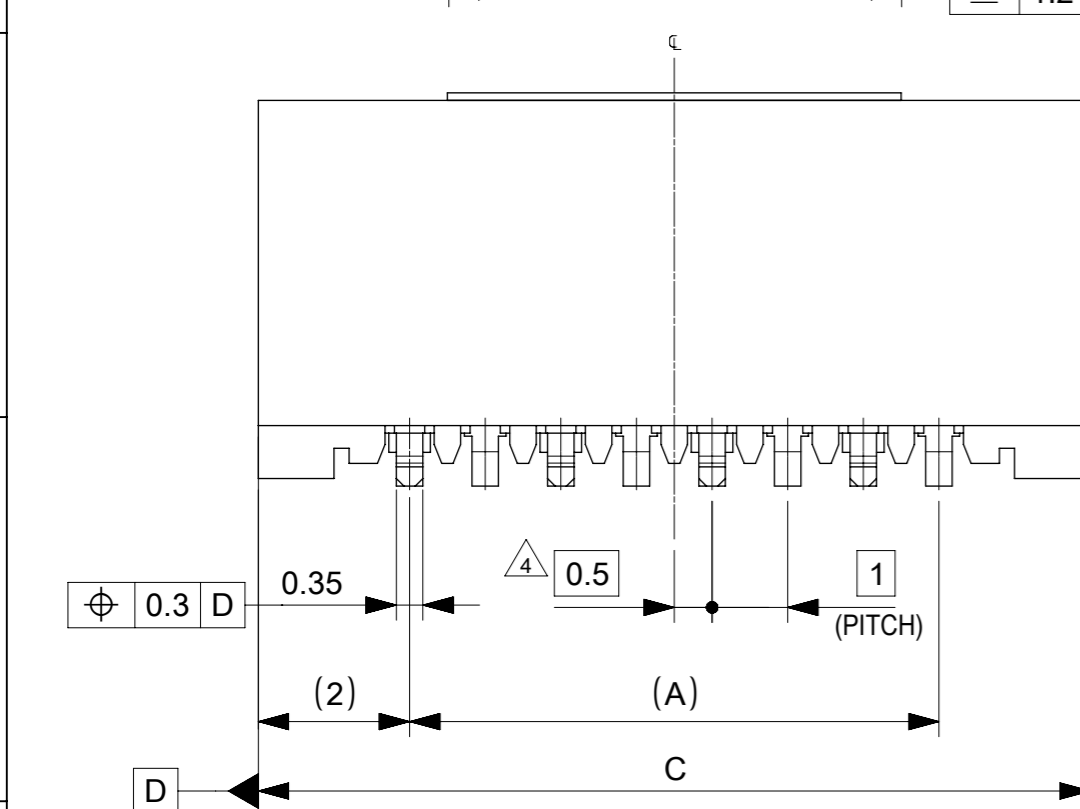
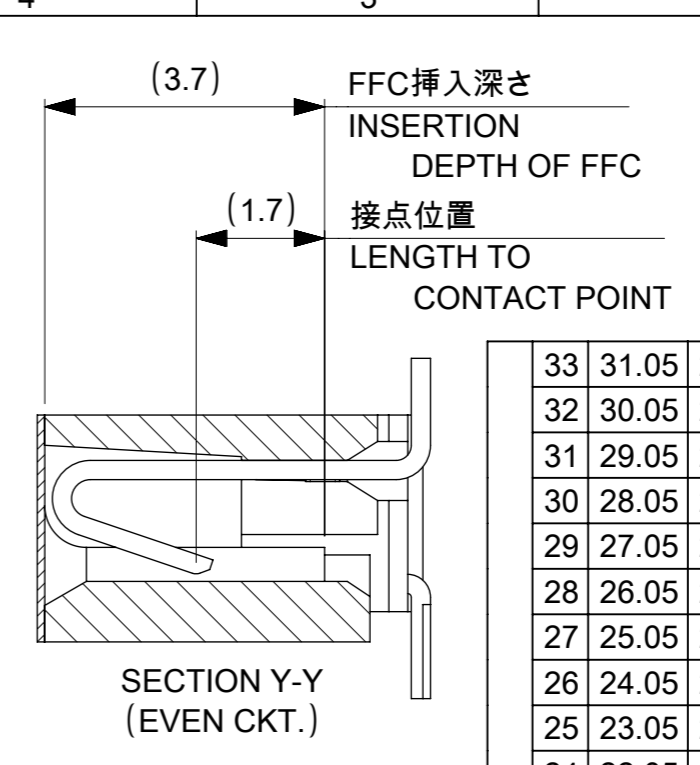
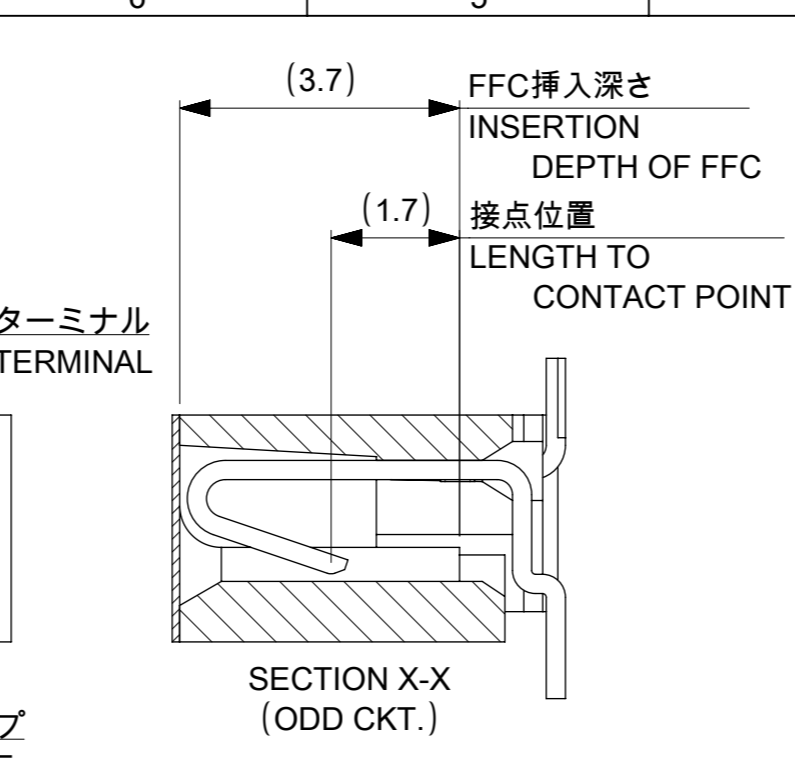
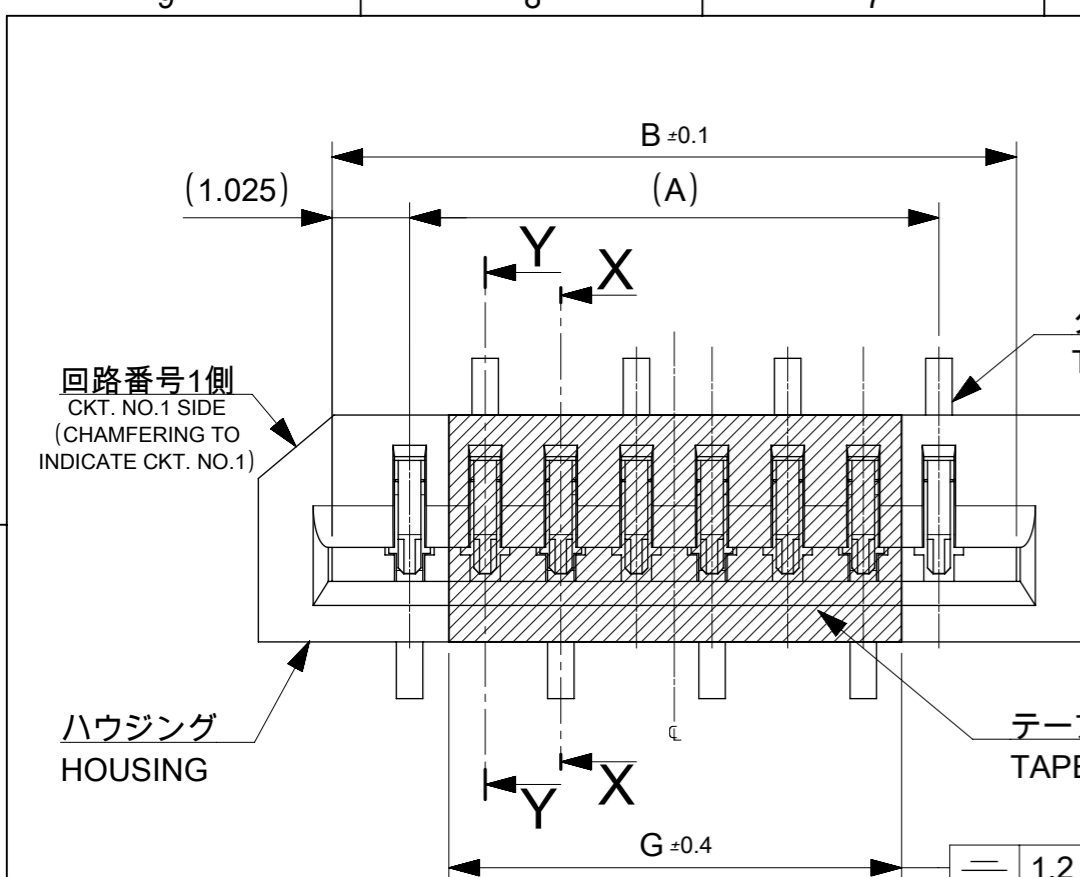
SECT:Y-Y

56mm幅キャリアテープ
56mm WIDTH CARRIER TAPE

56	61.4	57.4	30.4	33.3	52808-3073	30				
			29.4	32.3	52808-2973	29				
キャリアテープ幅 CARRIER TAPE WIDTH					D	C	(B)	(A)	EMBOSSED PACKAGE	極数
					オーダー番号	ORDER NO.	CKT.			
								MODEL NO.	52808-**73	

THIS DRAWING CONTAINS INFORMATION THAT IS PROPRIETARY TO MOLEX ELECTRONIC TECHNOLOGIES, LLC AND SHOULD NOT BE USED WITHOUT WRITTEN PERMISSION

EC NO: 102654 DRWN: MTAKAHASHI04 CHK'D: TKUSUHARA01 APPR: TKUSUHARA01	2016/01/21 2016/01/28 2016/01/28	GENERAL TOLERANCES (UNLESS SPECIFIED) ANGULAR TOL ± 0.0° 4 PLACES ± 0.0 3 PLACES ± 0.0 2 PLACES ± 0.0 1 PLACE ± 0.0 0 PLACES ± 0.0	DIMENSION UNITS: mm SCALE: ≯ DRWN BY: MTAKAHASHI04 DATE: 2016/01/21 CHK'D BY: KTAKAHASHI DATE: APPR BY: TKUSUHARA01 DATE: 2016/01/28	<p>1.0 FFC CONN NON ZIF SMT ST PKG</p> <p>PRODUCT CUSTOMER DRAWING</p> <p>SERIES: 52808 MATERIAL NUMBER: SEE CHART CUSTOMER: GENERAL</p> <p>DOCUMENT NUMBER: 528080003 DOC TYPE: PSD DOC PART: 000 SHEET NUMBER: 6 OF 6</p>
	DRAFT WHERE APPLICABLE MUST REMAIN WITHIN DIMENSIONS	DRAWING SIZE: A3 THIRD ANGLE PROJECTION		
	RELEASED	EC NO: 102654 DRWN: MTAKAHASHI04 CHK'D: TKUSUHARA01 APPR: TKUSUHARA01	DIMENSION UNITS: mm SCALE: ≯ DRWN BY: MTAKAHASHI04 DATE: 2016/01/21 CHK'D BY: KTAKAHASHI DATE: APPR BY: TKUSUHARA01 DATE: 2016/01/28	
	EC NO: 102654 DRWN: MTAKAHASHI04 CHK'D: TKUSUHARA01 APPR: TKUSUHARA01	DIMENSION UNITS: mm SCALE: ≯ DRWN BY: MTAKAHASHI04 DATE: 2016/01/21 CHK'D BY: KTAKAHASHI DATE: APPR BY: TKUSUHARA01 DATE: 2016/01/28	DIMENSION UNITS: mm SCALE: ≯ DRWN BY: MTAKAHASHI04 DATE: 2016/01/21 CHK'D BY: KTAKAHASHI DATE: APPR BY: TKUSUHARA01 DATE: 2016/01/28	
	EC NO: 102654 DRWN: MTAKAHASHI04 CHK'D: TKUSUHARA01 APPR: TKUSUHARA01	DIMENSION UNITS: mm SCALE: ≯ DRWN BY: MTAKAHASHI04 DATE: 2016/01/21 CHK'D BY: KTAKAHASHI DATE: APPR BY: TKUSUHARA01 DATE: 2016/01/28	DIMENSION UNITS: mm SCALE: ≯ DRWN BY: MTAKAHASHI04 DATE: 2016/01/21 CHK'D BY: KTAKAHASHI DATE: APPR BY: TKUSUHARA01 DATE: 2016/01/28	

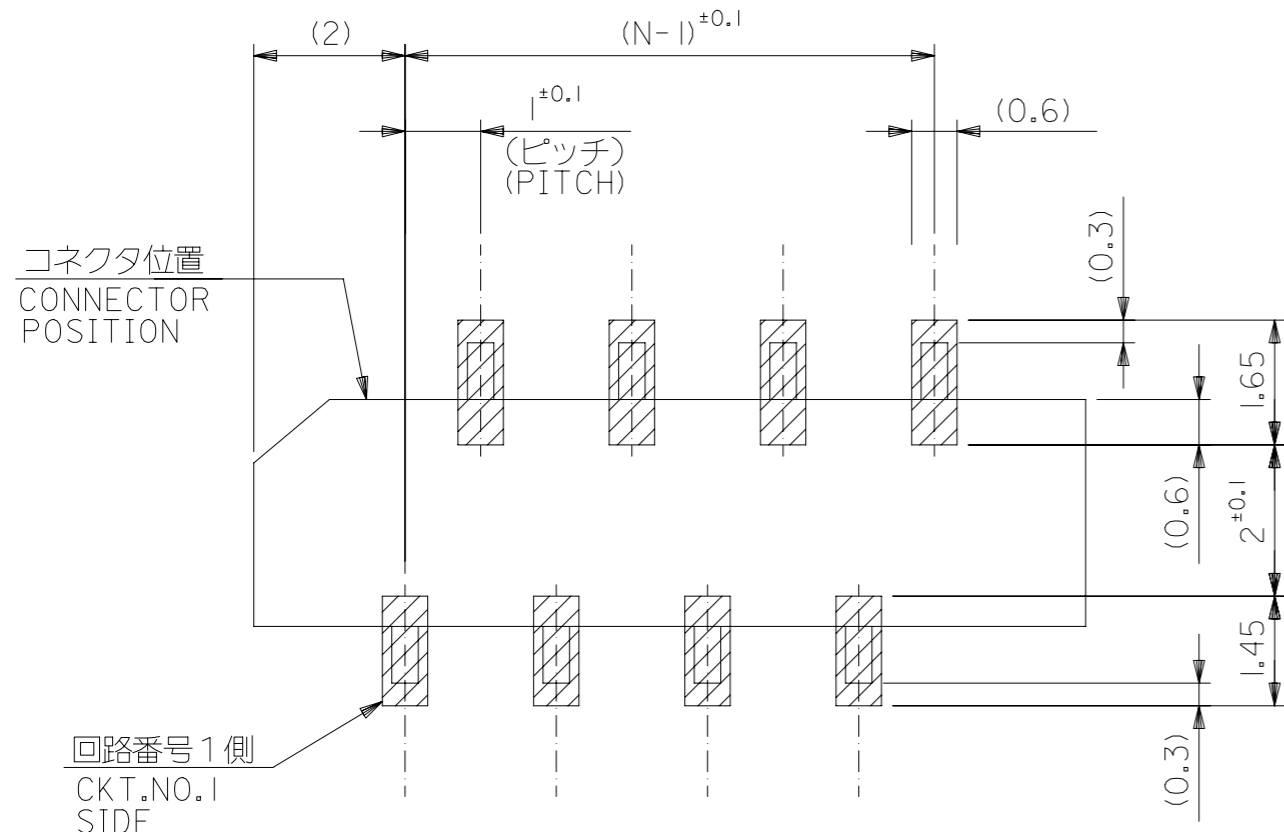


33	31.05	29	52808-3073	30
32	30.05	28	52808-2973	29
31	29.05	27	52808-2873	28
30	28.05	26	52808-2773	27
29	27.05	25	52808-2673	26
28	26.05	24	52808-2573	25
27	25.05	23	52808-2473	24
26	24.05	22	52808-2373	23
25	23.05	21	52808-2273	22
24	22.05	20	52808-2173	21
23	21.05	19	52808-2073	20
22	20.05	18	52808-1973	19
21	19.05	17	52808-1873	18
20	18.05	16	52808-1773	17
19	17.05	15	52808-1673	16
18	16.05	14	52808-1573	15
17	15.05	13	52808-1473	14
16	14.05	12	52808-1373	13
15	13.05	11	52808-1273	12
14	12.05	10	52808-1173	11
13	11.05	9	52808-1073	10
12	10.05	8	52808-0973	9
11	9.05	7	52808-0873	8
10	8.05	6	52808-0773	7
9	7.05	5	52808-0673	6
8	6.05	4	52808-0573	5
7	5.05	3	52808-0473	4
EMBOSSED PACKAGE				Ckt
オーダー番号 ORDER NO.				

THIS DRAWING CONTAINS INFORMATION THAT IS PROPRIETARY TO MOLEX ELECTRONIC TECHNOLOGIES, LLC AND SHOULD NOT BE USED WITHOUT WRITTEN PERMISSION

2016/01/18	DRWN: MTAKAHASHI04	GENERAL TOLERANCES (UNLESS SPECIFIED)	DIMENSION UNITS	SCALE
2016/01/28	CHK'D: TKUSUHARA01	ANGULAR TOL ± 1.0 °	mm	10:1
2016/01/28	APPR: TKUSUHARA01	4 PLACES ± 0.05	DRWN BY	DATE
		3 PLACES ± 0.1	MTAKAHASHI04	2016/01/18
		2 PLACES ± 0.2	CHK'D BY	DATE
		1 PLACE ± 0.2	KTAKAHASHI	
		0 PLACES ± 0.2	APPR BY	DATE
			TKUSUHARA01	2016/01/28
			DRAWING SIZE	THIRD ANGLE PROJECTION
			A3	
			DRAFT WHERE APPLICABLE MUST REMAIN WITHIN DIMENSIONS	

molex			
1.0 FFC CONN NON ZIF SMT ST ASSY			
PRODUCT CUSTOMER DRAWING			
SERIES	MATERIAL NUMBER	CUSTOMER	
52808	SEE CHART	GENERAL	
DOCUMENT NUMBER		DOC TYPE	DOC PART
528081003		PSD	000
SHEET NUMBER		1 OF 3	



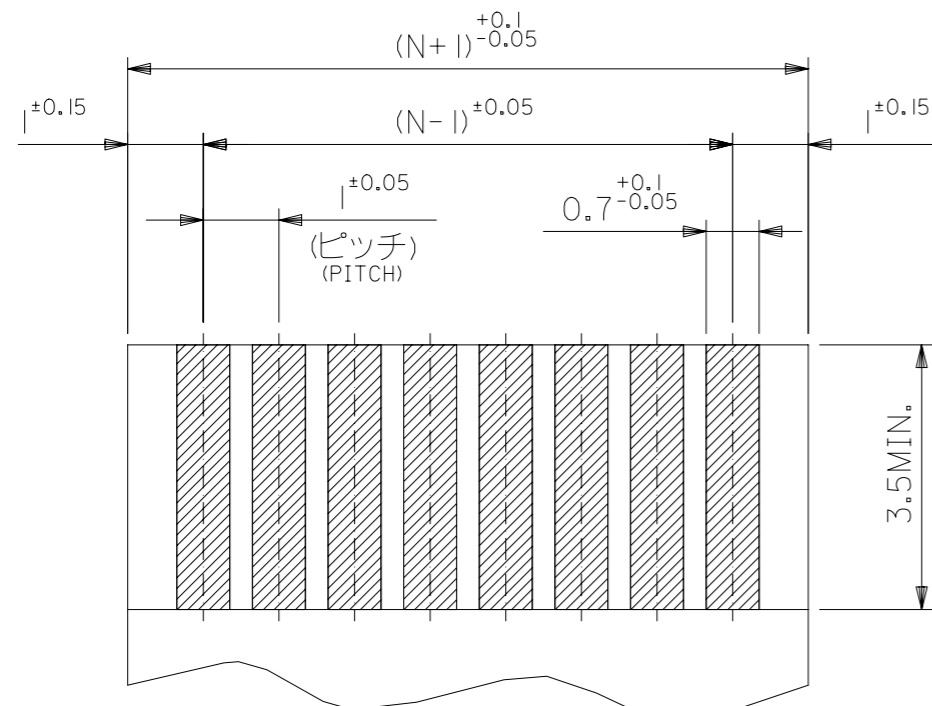
推奨基板レイアウト
 RECOMMENDED P.C.BOARD PATTERN DIMENSION
 (マウント面)
 (MOUNTING SIDE)

参考メタルマスク厚 : 120μm
 参考メタルマスク開口率 : 100%
 REFERENCE SCREEN THICKNESS : 120μm
 REFERENCE SCREEN OPEN RATIO : 100%

注記 NOTES

1. 使用材料 MATERIAL
 ハウジング : ポリフェニレンサルファイド(PPS) ナチュラル(白色) ガラス充填 UL94V-0
 HOUSING POLY PHENYLENE SULFIDE NATURAL(WHITE) GLASS FILLED UL94V-0
 ターミナル : リン青銅(t=0.25)
 TERMINAL PHOSPHOR BRONZE (t=0.25)
2. めっき仕様 PLATING
 ターミナル TERMINAL
 接点部 : 金メッキ(0.1μm以上)
 半田付部 : 錫メッキ(1.0μm以上)
 下地 : ニッケルメッキ(1.0μm以上)
 CONTACT PORTION : GOLD PLATING (0.1μm MIN)
 SOLDERING PORTION : TIN PLATING (1.0μm MIN)
 UNDER PLATING : NICKEL PLATING (1.0μm MIN)
3. 基準面 E からのソルダータールの半田付け面のズレ量は、
 上方向に0.1MAX、下方向に0.15MAXとする。
 MISALIGNMENT OF SOLDER TAIL FROM E
 UPPER DIRECTION 0.1 MAX , LOWER DIRECTION 0.15 MAX.
4. 偶数極に適用。
 APPLY FOR EVEN CKT.
5. 本製品は 52808シリーズの金メッキ品です。
 THIS PRODUCT IS Au PLATING OF 52808 SERIES.
6. ELV 及び RoHS適合品。
 ELV AND RoHS COMPLIANT.

THIS DRAWING CONTAINS INFORMATION THAT IS PROPRIETARY TO MOLEX ELECTRONIC TECHNOLOGIES, LLC AND SHOULD NOT BE USED WITHOUT WRITTEN PERMISSION									
RELEASED	2016/01/18	GENERAL TOLERANCES (UNLESS SPECIFIED)		DIMENSION UNITS	SCALE				
	2016/01/28	ANGULAR TOL ± 1.0 °		mm	1:1				
	2016/01/28	4 PLACES ± 0.05	DRWN BY		DATE	1.0 FFC CONN NON ZIF SMT ST ASSY			
	MTAKAHASHI04	3 PLACES ± 0.1	MTAKAHASHI04	2016/01/18					
	TKUSUHARA01	2 PLACES ± 0.2	CHK'D BY	DATE					
TKUSUHARA01	1 PLACE ± 0.2	APPR BY		DATE	PRODUCT CUSTOMER DRAWING				
EC NO: 102654	0 PLACES ± 0.2	DRAFT WHERE APPLICABLE MUST REMAIN WITHIN DIMENSIONS		DRAWING SIZE	THIRD ANGLE PROJECTION	SERIES	MATERIAL NUMBER	CUSTOMER	
A	REV	A3		A3		52808	SEE CHART	GENERAL	
RELEASE STATUS	P1	RELEASE DATE	2016/01/28	04:09:32	DOCUMENT NUMBER	DOC TYPE	DOC PART	SHEET NUMBER	
					528081003	PSD	000	2 OF 3	



(仕上り厚さ : 0.3 ± 0.03)
 (THICKNESS : 0.3 ± 0.03)
 適合金メッキFPC/FFC推奨寸法
 APPLICABLE GOLD FPC/FFC
 RECOMMENDED DIMENSION

FPC/FFCについて

打ち抜き方向は導体側から補強板側を推奨致します。
 導体部については軟箔銅35μmまたは50μmを推奨致します。
 接着剤の接点部への付着は導通不良の原因になりますので、染み出しが無い様お願い致します。
 FPC/FFCに規定された定格温度がFPC/FFC単体前提である場合が御座います。
 コネクタと組み合わせての実使用において、接着層が劣化する等の信頼性を満足できないケースを回避する為、
 実機での評価/確認をお願い致します。

ABOUT FPC/FFC

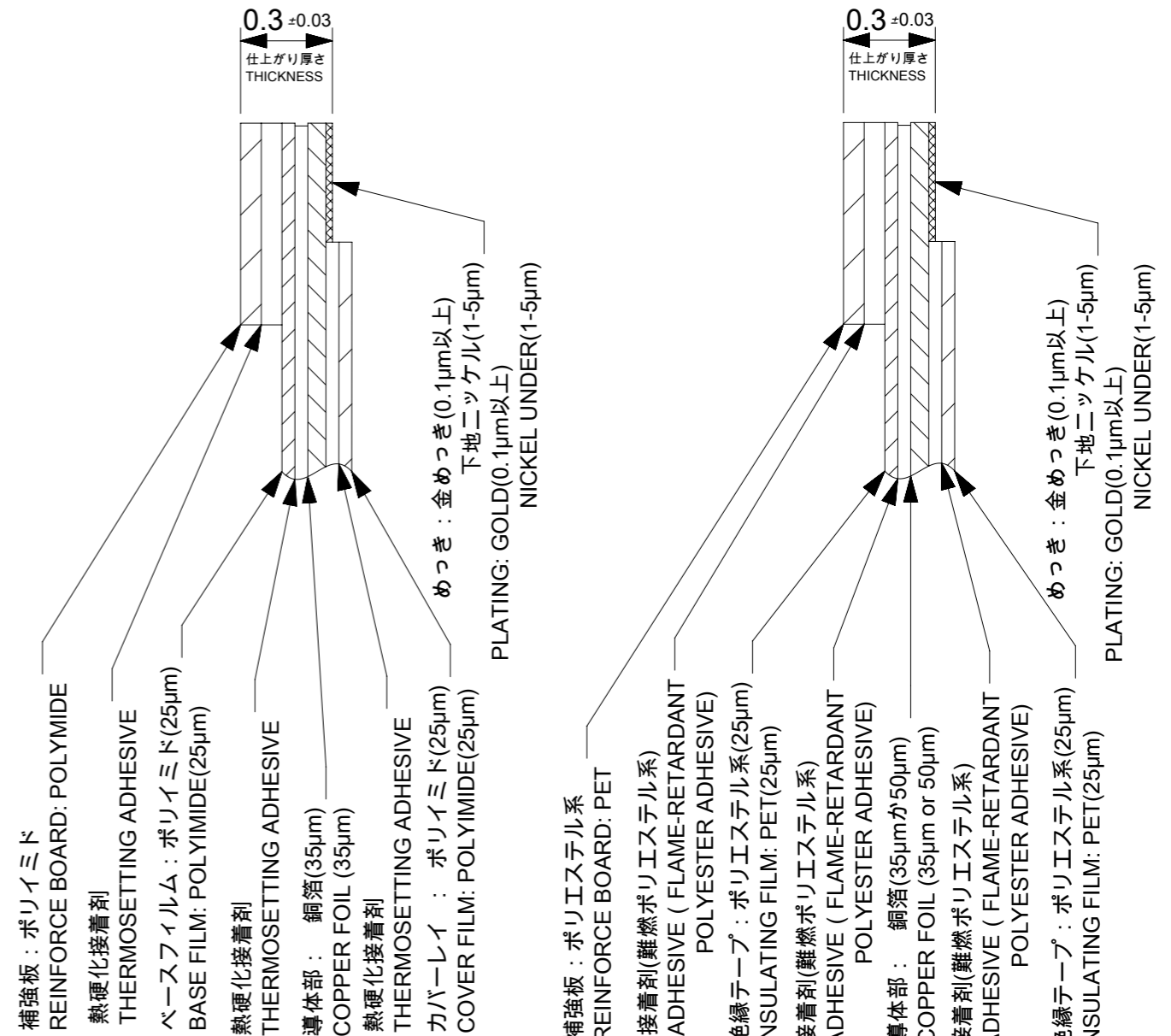
RECOMMENDED PUNCHING DIRECTION: FROM CONDUCTOR SIDE TO STIFFENER SIDE
 RECOMMENDED CONDUCTOR SPEC: SOFT COPPER FOIL
 RECOMMENDED CONDUCTOR THICKNESS: 35 MICROMETER OR 50 MICROMETER
 PLEASE PUT APPROPRIATE AMOUNT OF ADHESIVE ON ADHEREND BECAUSE THERE IS
 A POSSIBILITY THAT EXTRA ADHESIVE CAUSES THE DEFECT IN ELECTRICAL CONTINUITY
 THE HEAT RESISTANCE OF FFC IS ONLY FFC SPEC
 TO PREVENT THE CASE THAT RELIABILITY CANNOT BE SATISFIED (THE ADHESIVE IS
 DETERIORATED etc.) PLEASE DO THE EVALUATION AND THE CONFIRMATION WITH
 ACTUAL CONNECTER

FPCについて

補強フィルム材質はポリイミドを推奨します。ベースフィルムは25μmを推奨します。
 接着剤は熱硬化接着剤を推奨します。

ABOUT FPC

RECOMMENDED STIFFENER MATERIAL: POLYIMIDE
 RECOMMENDED BASE FILM THICKNESS: 25 MICROMETER
 RECOMMENDED ADHESIVE: THERMOSETTING ADHESIVE



THIS DRAWING CONTAINS INFORMATION THAT IS PROPRIETARY TO MOLEX ELECTRONIC TECHNOLOGIES, LLC AND SHOULD NOT BE USED WITHOUT WRITTEN PERMISSION

EC NO: 102654 DRWN: MTAKAHASHI04 CHK'D: TKUSUHARA01 APPR: TKUSUHARA01	2016/01/18 2016/01/28 2016/01/28	GENERAL TOLERANCES (UNLESS SPECIFIED) ANGULAR TOL $\pm 1.0^\circ$	DIMENSION UNITS: mm SCALE: 1:1	
	4 PLACES ± 0.05 3 PLACES ± 0.1 2 PLACES ± 0.2 1 PLACE ± 0.2 0 PLACES ± 0.2	DRWN BY: MTAKAHASHI04 DATE: 2016/01/18	PRODUCT CUSTOMER DRAWING	
	DRAFT WHERE APPLICABLE MUST REMAIN WITHIN DIMENSIONS	CHK'D BY: KTAKAHASHI DATE:	SERIES: 52808 MATERIAL NUMBER: SEE CHART CUSTOMER: GENERAL	
	A3	APPR BY: TKUSUHARA01 DATE: 2016/01/28	DOCUMENT NUMBER: 528081003 DOC TYPE: PSD DOC PART: 000 SHEET NUMBER: 3 OF 3	
	A	REV:	THIRD ANGLE PROJECTION	