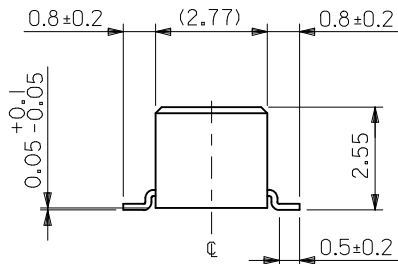
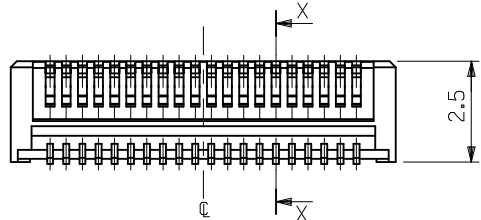


参考基板レイアウト (マウント面)  
RECOMMENDED P.C.BOARD  
PATTERN DIMENSION. (REF.)  
(MOUNTING AREA)

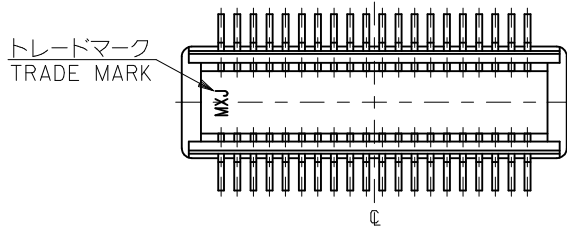


注記 NOTES:

- 使用材料 MATERIAL  
ウエハー: 液晶ポリマー ガラス充填 UL94V-0 茶色  
WAFER: LIQUID CRYSTAL POLYMER  
GLASS FILLED UL94V-0  
COLOR BROWN  
ピン: リン青銅 (t=0.15)  
PIN: PHOSPHOR BRONZE (t=0.15)
- メッキ仕様 PLATING  
金メッキ 0.25 マイクロメートル以上 (コンタクト部)  
GOLD 0.25MICROMETER MINIMUM (CONTACT AREA)  
金メッキ 0.4 マイクロメートル以下 (テール部)  
GOLD 0.4MICROMETER MAXIMUM (TAIL AREA)  
下地メッキ: ニッケルメッキ 1.5 マイクロメートル以上  
UNDER PLATING: NICKEL 1.5MICROMETER MINIMUM

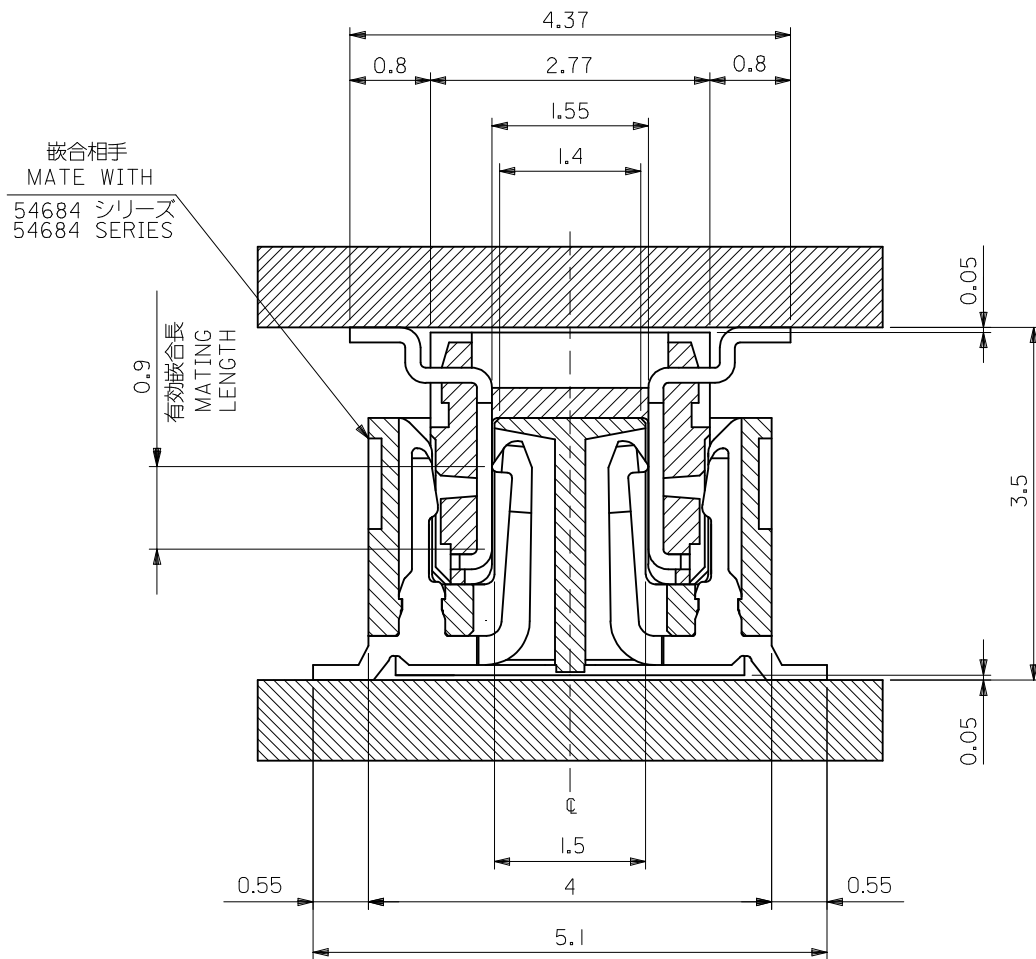
- (全極数/2) = 偶数の場合に適用。  
APPLY FOR (CIRCUIT/2) = EVEN.
- 嵌合相手: 54684 シリーズ  
MATE WITH: 54684 SERIES.
- テール平坦度は、0.08 以下  
TAIL COPLANARITY TO BE 0.08 MAXIMUM.

無鉛  
LEAD FREE



16.62	15.6	17.55	55526-0807	80
C	B	A	MATERIAL NO. CIRCUIT	
			MODEL NO.	55526-***7

MATERIAL 材料  注記参照 SEE NOTES	REVISED EC NO: J2016-0892 DRWN: Y. SHIDA 2016/02/22 CHKD: K. TANAKA 03 2016/02/22 APP: R. KMORI / KAWA 2016/02/29	GENERAL TOLERANCES (UNLESS SPECIFIED)		DIMENSION STYLE MM ONLY		SCALE ---	DESIGN UNITS METRIC	THIRD ANGLE PROJECTION	
		0.25 UNDER UNDER ±0.03	0.25 OVER 0.5 UNDER ±0.05	DRAWN BY S. AIHARA	DATE 1999/10/02	TITLE 0.4MM B-TO-B CONN PLUG NO BOSS (HGT=3.5MM)			
FINISH 仕上げ  注記参照 SEE NOTES	D	0.5 OVER 1.0 UNDER ±0.1	1.0 OVER 10 UNDER ±0.2	CHECKED BY T. ITO	DATE 2002/03/11				
		10 OVER 30 UNDER ±0.25	30 OVER ±0.3	APPROVED BY T. YAMAGU	DATE 2002/03/11				
		ANGULAR ±3 °		MATERIAL NO.		DOCUMENT NO.		SHEET NO.	
		DRAFT WHERE APPLICABLE MUST REMAIN WITHIN DIMENSIONS		SIZE A3		SEE CHART		SD-55526-003	
THIS DRAWING CONTAINS INFORMATION THAT IS PROPRIETARY TO MOLEX ELECTRONIC TECHNOLOGIES, LLC AND SHOULD NOT BE USED WITHOUT WRITTEN PERMISSION									

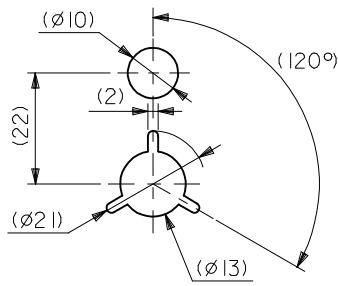
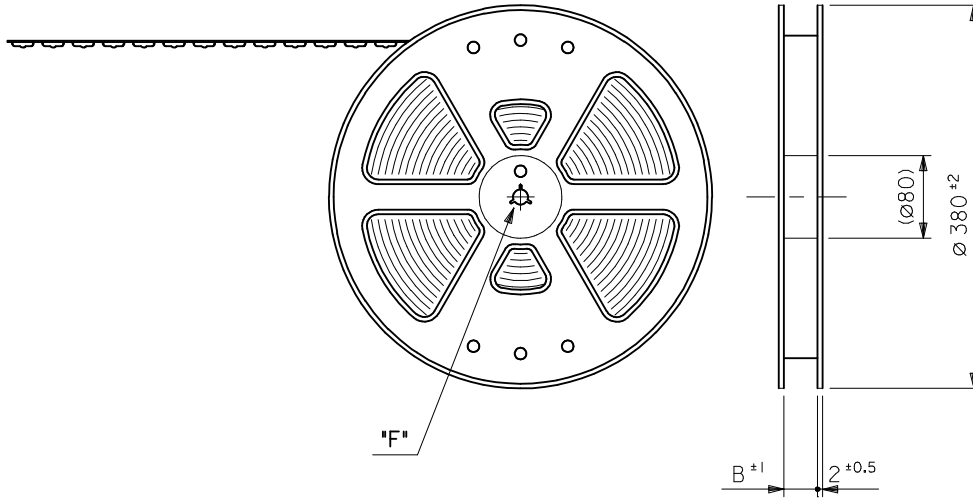


嵌合断面図 (参考)  
MATED DRAWING (REF.)

無鉛  
LEAD FREE

MATERIAL 材料	REVISED EC NO: J2016-0892 DRWN: Y. SHIDA 2016/02/22 CHKD: K. TANAKA 2016/02/22 APPR: K. MORIKAWA 2016/02/29	GENERAL TOLERANCES (UNLESS SPECIFIED)		DIMENSION STYLE MM ONLY		SCALE ---	DESIGN UNITS METRIC	MODEL NO. 55526-***7	
		0.25 UNDER	UNDER	±---	DRAWN BY S. AIHARA	DATE 1999/10/02	TITLE 0.4MM B-TO-B CONN PLUG NO BOSS (HGT=3.5MM)	THIRD ANGLE PROJECTION	
		0.25 OVER	0.5 UNDER	±---	CHECKED BY T. ITO	DATE 2002/03/11	molex	DOCUMENT NO. SD-55526-003	
		0.5 OVER	1.0 UNDER	±---	APPROVED BY T. YAMAGU	DATE 2002/03/11			SHEET NO. 2 OF 2
SHEET 1 OF 2 参照 REFER TO SHEET 1 OF 2		1.0 OVER	10 UNDER	±---	SEE CHART		THIS DRAWING CONTAINS INFORMATION THAT IS PROPRIETARY TO MOLEX ELECTRONIC TECHNOLOGIES, LLC AND SHOULD NOT BE USED WITHOUT WRITTEN PERMISSION		
		30 OVER		±---					
		ANGULAR ±3 °							
		DRAFT WHERE APPLICABLE MUST REMAIN WITHIN DIMENSIONS		SIZE A3					

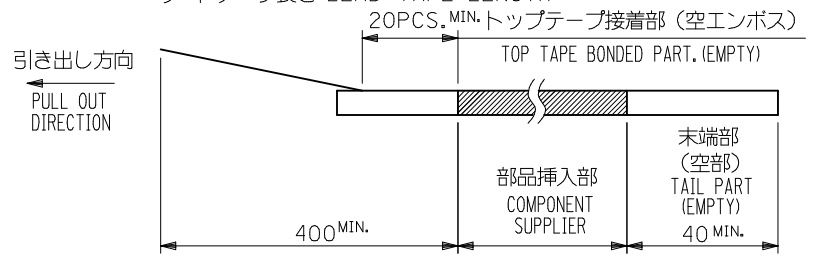
引き出し方向  
PULL OUT  
DIRECTION



DETAIL "F"

NOTES

- 製品詳細寸法については図面 SD-55526-003 を参照下さい。  
RE DETAILED DIMENSION, SEE SD-55526-003
- 梱包数量：1500個/リール  
NUMBER OF CONNECTORS : 1500PCS/REEL
- リードテープ長さ LEAD TAPE LENGTH



- トップテープの剥離強度：0.1N ~ 0.7N(10.2gf ~ 71.4gf)  
(剥離方向は下図参照)  
尚、本規格値は出荷時に適用。(但し、輸送時に剥離が発生しないこと。)  
PEELING OFF FORCE OF TOP TAPE : 0.1N ~ 0.7N(10.2gf ~ 71.4gf)  
(PEELING DIRECTION AS SHOWN IN FOLLOWING FIG,)  
THIS REQUIREMENT SHOULD BE APPLIED AT SHIPMENT.  
PEEL OFF SHOULD NOT BE ALLOWED , DURING TRANSPORTATION.

- 材料(MATERIAL)  
キャリアテープ(CARRIER TAPE)：ポリプロピレン(POLYPROPYLENE)  
トップテープ(TOPTAPE)：PET , PE , PEF  
リール(REEL)：ポリスチレン(P.S) <リサイクル材を含む>  
POLYSTYREN(PS) <RECYCLE MATERIAL CONTAINED>

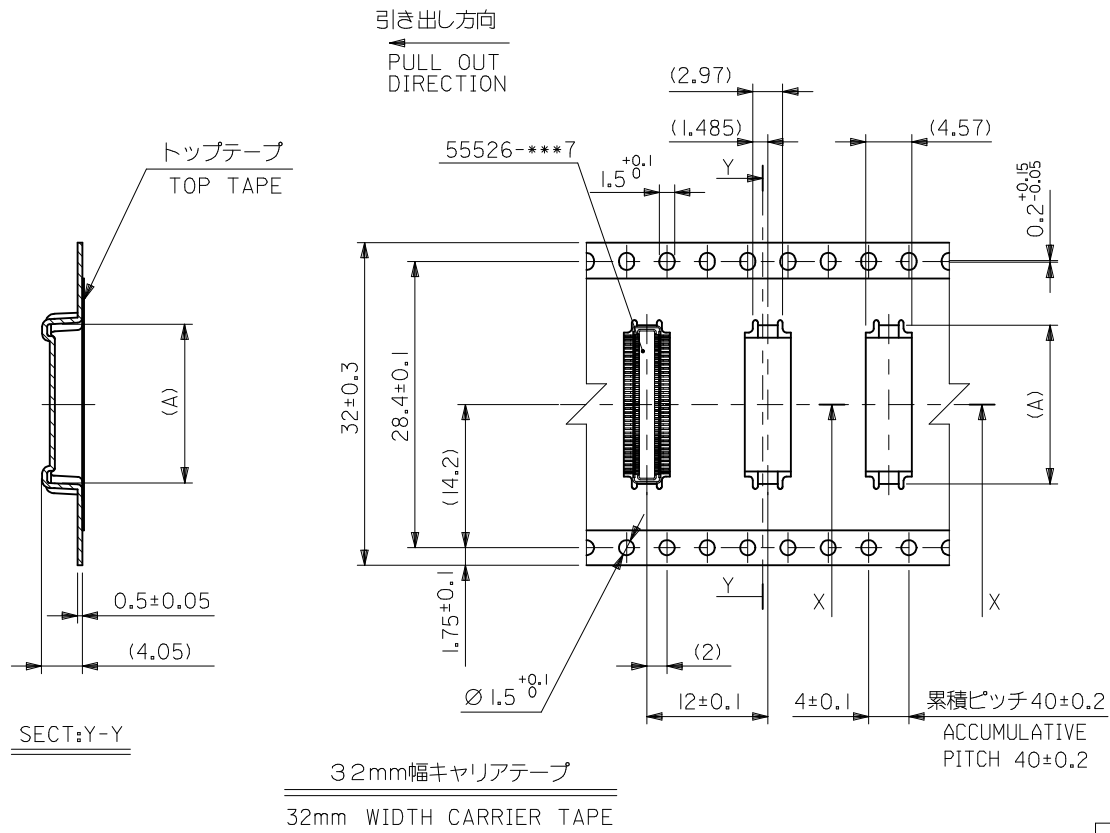
無鉛  
LEAD FREE

MATERIAL 材料	注記参照 SEE NOTES
----------------	-------------------

REVISED	EC NO: J2012-0554	2011/09/08	2011/09/08	2012/07/06
DRWN: YON002	CHKD: TASAKAWA	APPR: MSASAO	DESCRIPTION	
REV	GENERAL TOLERANCES (UNLESS SPECIFIED)			
	10 UNDER	±0.2		
	10 OVER 30 UNDER	±0.25		
	30 OVER	±0.3		
	ANGULAR	±3 °		
	DRAFT WHERE APPLICABLE MUST REMAIN WITHIN DIMENSIONS			

DIMENSION STYLE MM ONLY		SCALE ---	DESIGN UNITS METRIC	MODEL NO. 55526-***8
DRAWN BY S. AIHARA	DATE 1999/10/02	TITLE 0.4MM B-T-O-B CONN PLUG NO BOSS (HGT=3.5MM) EMBSTP PKG		
CHECKED BY T. ITO	DATE 2002/03/11	THIRD ANGLE PROJECTION		
APPROVED BY T. YAMAGU	DATE 2002/03/11	DOCUMENT NO. SD-55526-004		
MATERIAL NO. SEE CHART		SHEET NO. 1 OF 3		

THIS DRAWING CONTAINS INFORMATION THAT IS PROPRIETARY TO MOLEX INCORPORATED AND SHOULD NOT BE USED WITHOUT WRITTEN PERMISSION	
-------------------------------------------------------------------------------------------------------------------------------	--



無鉛  
LEAD FREE

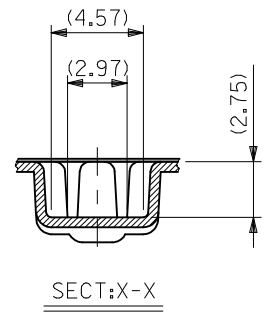
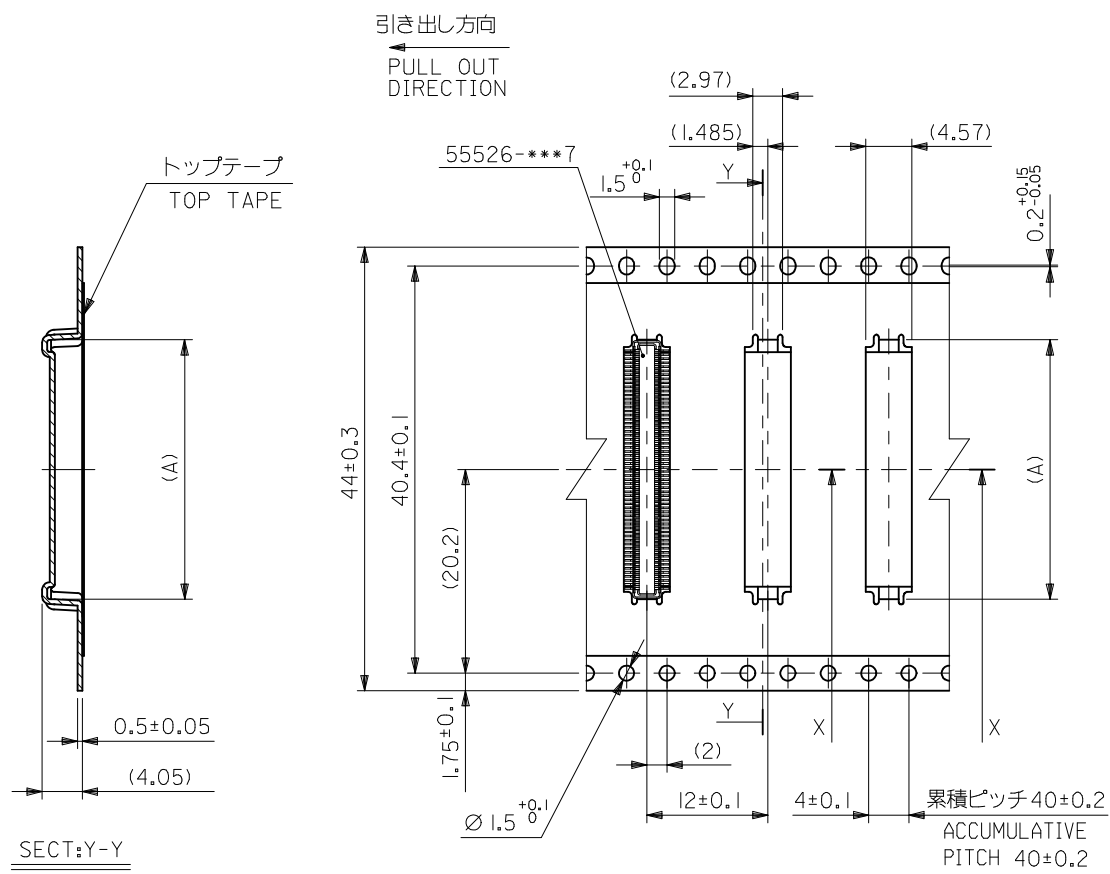
32	33.5	17.75	55526-0808	80
キャリアテープ幅 CARRIER TAPE WIDTH	B	(A)	MATERIAL NO.	極数 CKT.

MATERIAL  
材料

SHEET 1 OF 3 参照  
REFER TO SHEET 1 OF 3

REVISED EC NO: J2012-0554 DRWN: YON002 CHKD: TASAKAWA APPR: MSASAO	2011/09/08	2011/09/08	2012/07/06
	DESCRIPTION	GENERAL TOLERANCES (UNLESS SPECIFIED)	DIMENSION STYLE MM ONLY
	10 UNDER	±0.2	DRAWN BY T. TSUBOI
	10 OVER 30 UNDER	±0.25	DATE 2002/03/11
30 OVER	±0.3	CHECKED BY T. ITO	DATE 2002/03/11
ANGULAR	±3 °	APPROVED BY T. YAMAGU	DATE 2002/03/11
DRAFT WHERE APPLICABLE MUST REMAIN WITHIN DIMENSIONS		MATERIAL NO.	THIRD ANGLE PROJECTION

SCALE ---	DESIGN UNITS METRIC	MODEL NO. 55526-***8
TITLE 0.4MM B-TO-B CONN PLUG NO BOSS (HGT=3.5MM) EMBSTP PKG		
SEE CHART		DOCUMENT NO. SD-55526-004
SHEET NO. 2 OF 3		SHEET NO. 2 OF 3
THIS DRAWING CONTAINS INFORMATION THAT IS PROPRIETARY TO MOLEX INCORPORATED AND SHOULD NOT BE USED WITHOUT WRITTEN PERMISSION		



44mm幅キャリアテープ  
44mm WIDTH CARRIER TAPE

累積ピッチ 40±0.2  
ACCUMULATIVE PITCH 40±0.2

無鉛  
LEAD FREE

44	45.5	25.75	55526-1208	120
キャリアテープ幅 CARRIER TAPE WIDTH	B	(A)	MATERIAL NO.	極数 CKT.

MATERIAL  
材料

SHEET 1 OF 3 参照  
REFER TO SHEET 1 OF 3

REVISED EC NO: J2012-0554 DRWN: YONOO2 CHKD: TASAKAWA APPR: MSASAO	2011/09/08	2011/09/08	2012/07/06
	DESCRIPTION		
	REV		

GENERAL TOLERANCES (UNLESS SPECIFIED)	
10 UNDER	±0.2
10 OVER 30 UNDER	±0.25
30 OVER	±0.3
ANGULAR	±3 °
DRAFT WHERE APPLICABLE MUST REMAIN WITHIN DIMENSIONS	

DIMENSION STYLE MM ONLY	SCALE ---	DESIGN UNITS METRIC	MODEL NO. 55526-***8
DRAWN BY S. AIHARA	DATE 1999/10/02	TITLE 0.4MM B-TO-B CONN PLUG NO BOSS (HGT=3.5MM) EMBSTP PKG	THIRD ANGLE PROJECTION
CHECKED BY T. ITO	DATE 2002/03/11	<b>molex</b>	
APPROVED BY T. YAMAGU	DATE 2002/03/11		
MATERIAL NO.	DOCUMENT NO. SD-55526-004	SHEET NO. 3 OF 3	
SEE CHART			
THIS DRAWING CONTAINS INFORMATION THAT IS PROPRIETARY TO MOLEX INCORPORATED AND SHOULD NOT BE USED WITHOUT WRITTEN PERMISSION			