

MATERIALS AND FINISHES

BODY, CAP: ZINC ALLOY
PLATED NICKEL

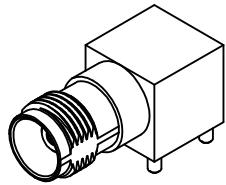
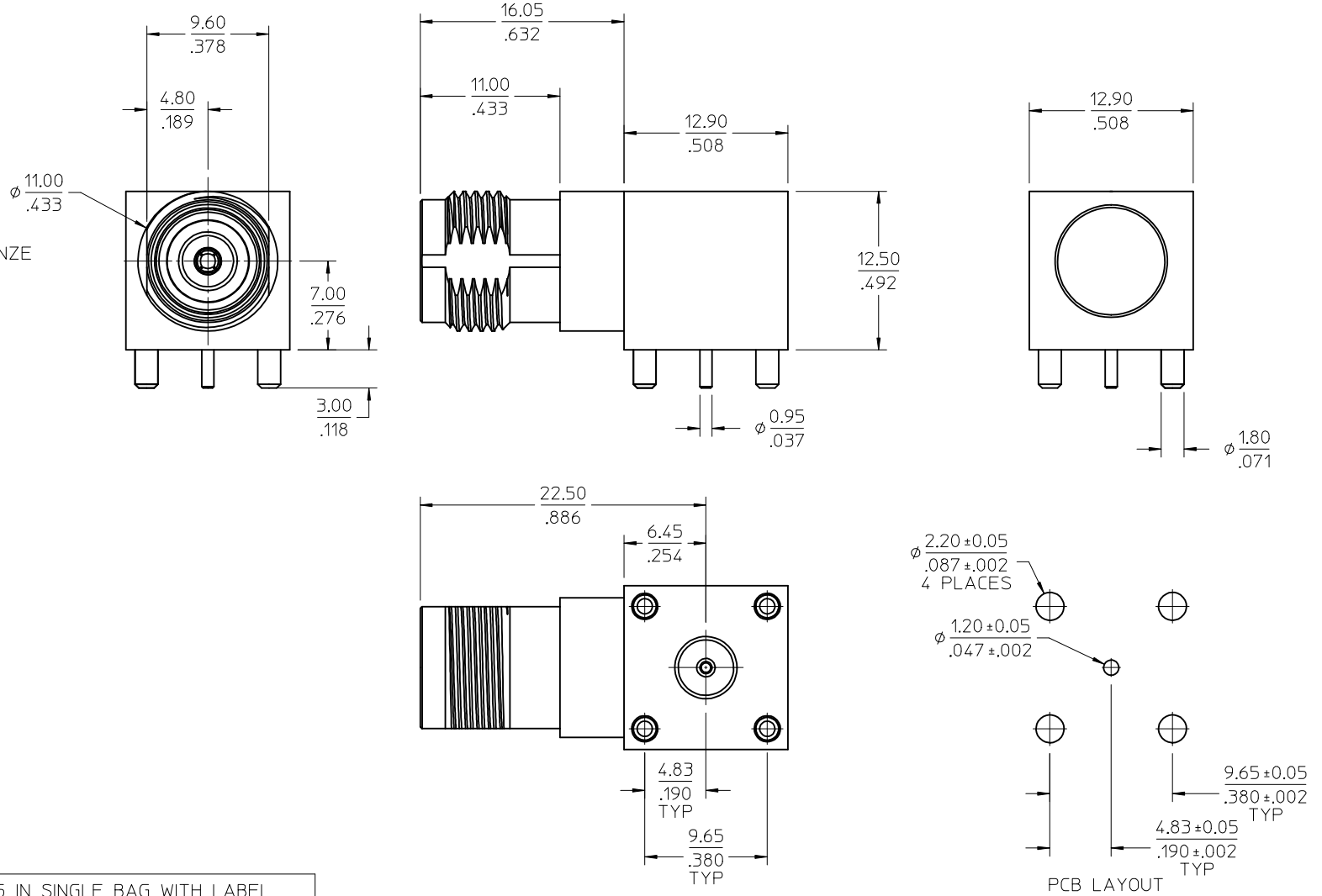
RING: BRASS
PLATED NICKEL

LEGS: BRASS
PLATED TIN

CONTACT FRONT: PHOSPHOR BRONZE
PLATED GOLD

CONTACT REAR: BRASS
PLATED GOLD

INSULATORS: TEFLON



73216-2710	1 PIECE 73100-0135 IN SINGLE BAG WITH LABEL
73100-0135	STANDARD
PART NO.	PACKAGING

PS-89675-1400	PRODUCT SPECIFICATION
MIL-STD-348A, FIG. 313.2	INTERFACE
SPECIFICATION	DESCRIPTION

A	B	C	D	E	F	G	H	I	J	1	2	3	4	5	6	7	8	9	10	11	12	CHG: CAP MATERIAL WAS BRASS. EC NO: URF2015-0552 DRWN: AROBERTSON 2015/04/07 CHKD: SSS 2015/04/07 APPR: AROBERTSON 2015/04/10 A2
																						QUALITY SYMBOLS ▽=0 ▽=0

GENERAL TOLERANCES (UNLESS SPECIFIED)	DIMENSION STYLE		SCALE	DESIGN UNITS	THIRD ANGLE PROJECTION
	mm	INCH	MM/IN	METRIC	
4 PLACES ± --- ± ---	± ---	± ---	DRAWN BY	DATE	TITLE
3 PLACES ± --- ± ---	± ---	± ---	AROBERTSON	2011/03/31	TNC JACK RA PCB TH 50 OHM TNC-J/PCB
2 PLACES ± --- ± ---	± ---	± ---	CHECKED BY	DATE	
1 PLACE ± --- ± ---	± ---	± ---	SSS	2011/03/31	MOLEX INCORPORATED
ANGULAR ± 2 °			APPROVED BY	DATE	
DRAFT WHERE APPLICABLE MUST REMAIN WITHIN DIMENSIONS			JWIENER	2011/04/04	SD-73100-0135
			MATERIAL NO.	DOCUMENT NO.	SHEET NO.
			SEE TABLE		1 OF 1

THIS DRAWING CONTAINS INFORMATION THAT IS PROPRIETARY TO MOLEX INCORPORATED AND SHOULD NOT BE USED WITHOUT WRITTEN PERMISSION					
---	--	--	--	--	--

MATERIALS AND FINISHES

BODY, CAP: ZINC ALLOY
PLATED NICKEL

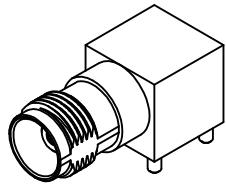
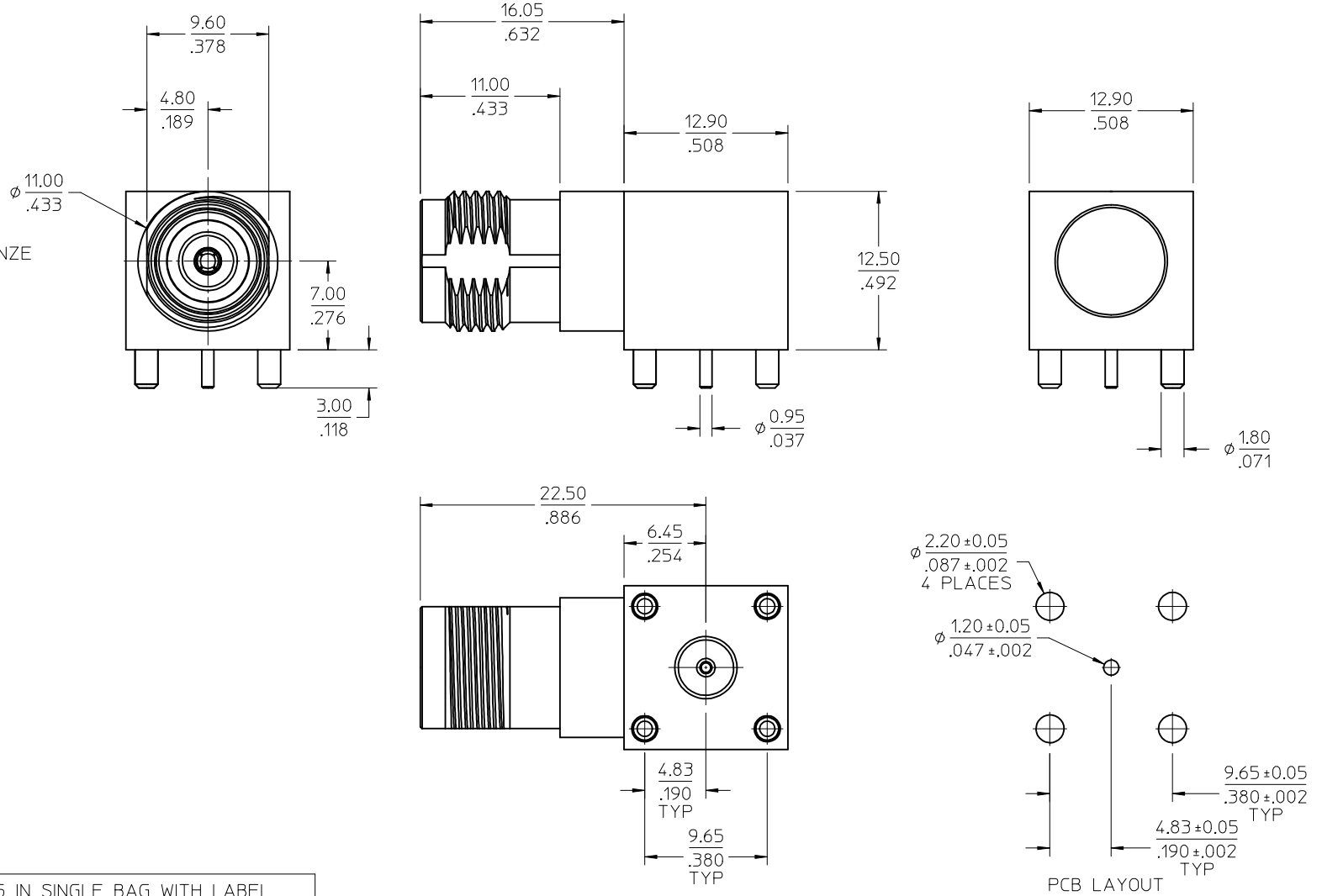
RING: BRASS
PLATED NICKEL

LEGS: BRASS
PLATED TIN

CONTACT FRONT: PHOSPHOR BRONZE
PLATED GOLD

CONTACT REAR: BRASS
PLATED GOLD

INSULATORS: TEFLON



73216-2710	1 PIECE 73100-0135 IN SINGLE BAG WITH LABEL
73100-0135	STANDARD
PART NO.	PACKAGING

PS-89675-1400	PRODUCT SPECIFICATION
MIL-STD-348A, FIG. 313.2	INTERFACE
SPECIFICATION	DESCRIPTION

A	CHG: CAP MATERIAL WAS BRASS.	EC NO: URF2015-0552	DRWN: AROBERTSON 2015/04/07	CHKD: SSS 2015/04/07	APPR: AROBERTSON 2015/04/10	DESCRIPTION
	REV	A1				

QUALITY SYMBOLS	GENERAL TOLERANCES (UNLESS SPECIFIED)
▽=0	mm INCH
▽=0	4 PLACES ± --- ± ---
	3 PLACES ± --- ± ---
	2 PLACES ± --- ± ---
	1 PLACE ± --- ± ---
	ANGULAR ± 2 °

DRAWN BY	DATE	TITLE
AROBERTSON	2011/04/01	TNC JACK RA
CHECKED BY	DATE	PCB TH 50 OHM
SSS	2011/04/01	TNC-J/PCB, EWR-4676
APPROVED BY	DATE	
JWIENER	2011/04/04	
DRAFT WHERE APPLICABLE MUST REMAIN WITHIN DIMENSIONS		

DIMENSION STYLE	SCALE	DESIGN UNITS	THIRD ANGLE PROJECTION
MM/IN		METRIC	
MATERIAL NO.		DOCUMENT NO.	
SEE TABLE		SD-73216-271	
SIZE		SHEET NO.	
C THIS DRAWING CONTAINS INFORMATION THAT IS PROPRIETARY TO MOLEX INCORPORATED AND SHOULD NOT BE USED WITHOUT WRITTEN PERMISSION		1 OF 1	