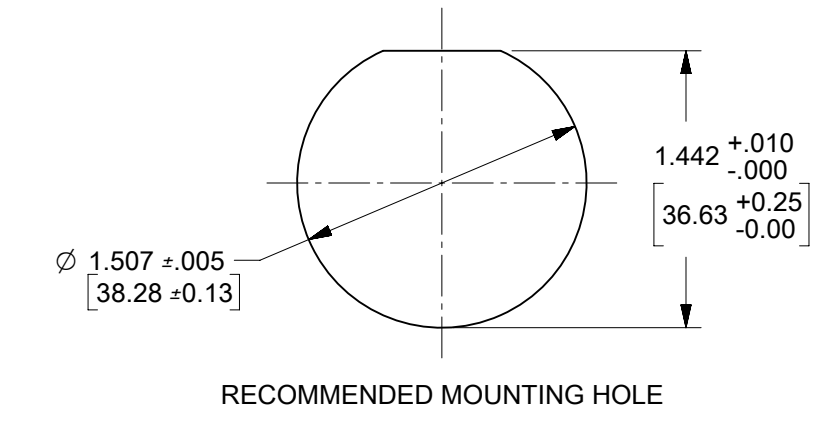
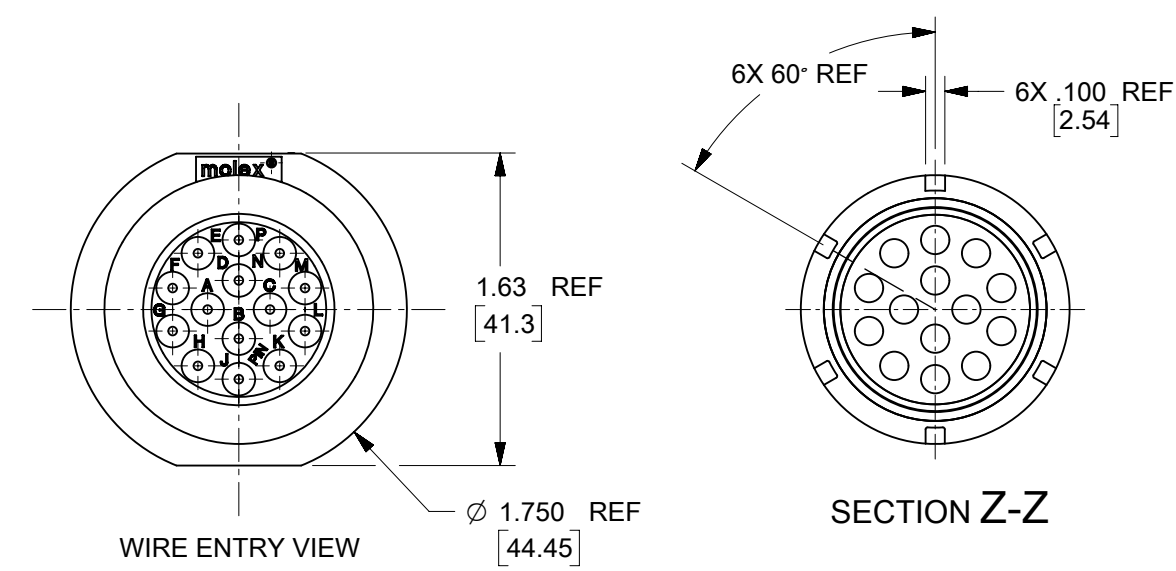
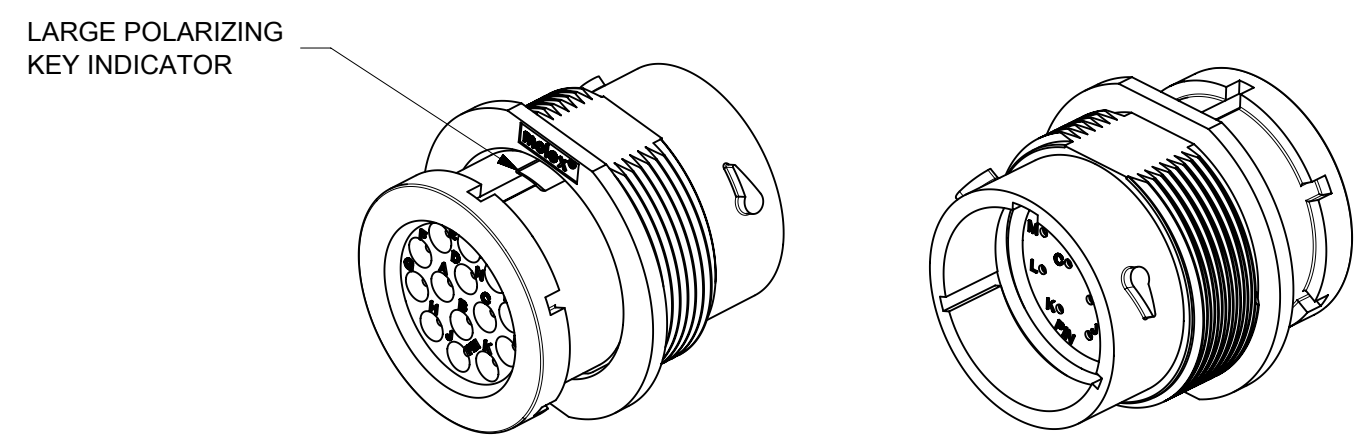
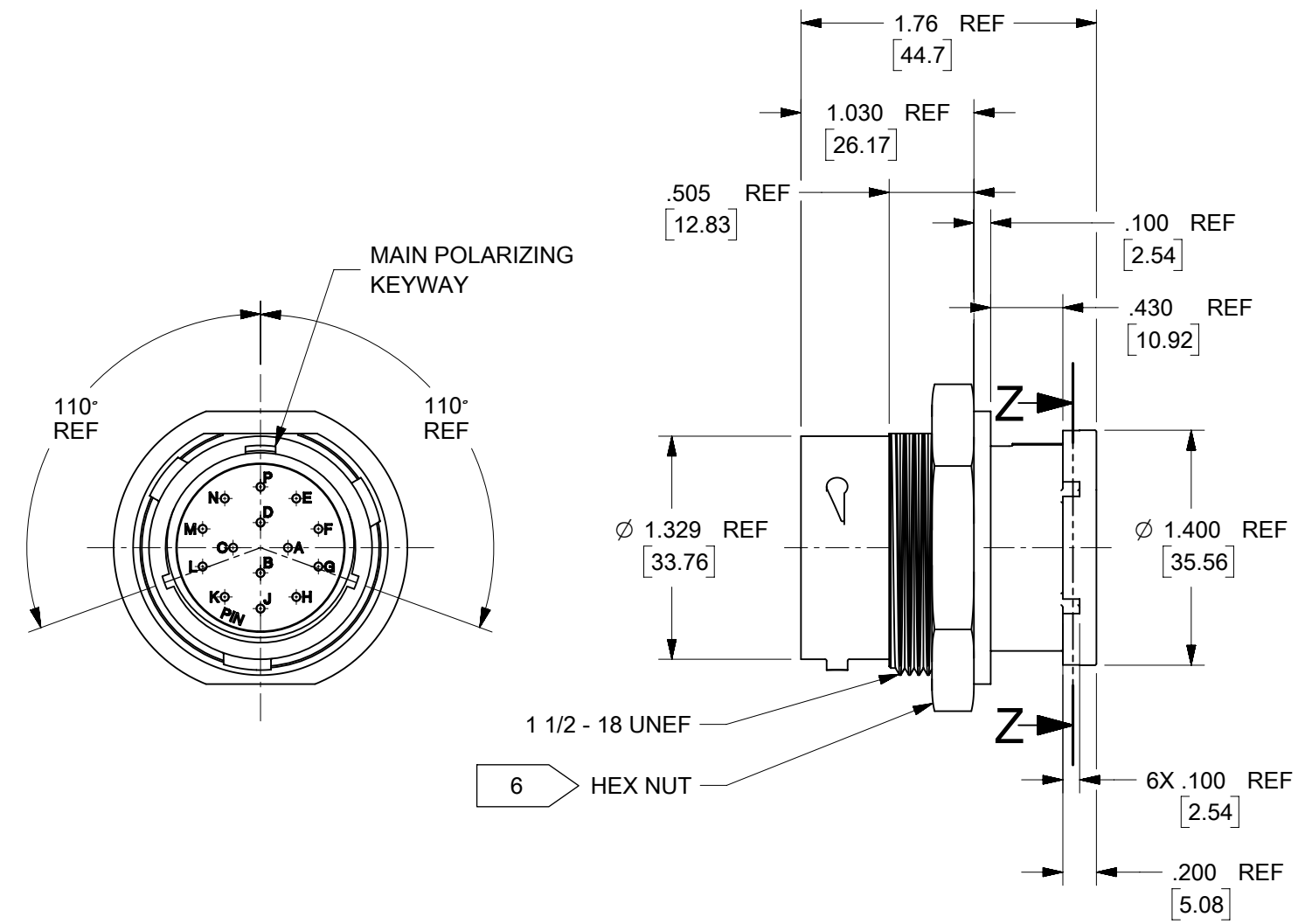


MATERIAL NUMBER	WIRE AWG	INSUL DIA O.D.
845020008	18 - 14	.053[1.35] - .134[3.40]



- NOTES:
- MATERIALS:  
HOUSINGS: POLYESTER (PBT), GLASS FILLED, UL94V-0 & POLYETHERIMIDE (PEI), UNFILLED, UL94V-0.  
COLOR, UNLESS OTHERWISE SPECIFIED: BLACK  
SEALS: SILICONE RUBBER  
COLOR: RUST RED
  - PRODUCT SPECIFICATION: PS-84501-001.
  - MATES WITH: SERIES 84507 PLUG CONNECTOR.
  - USE CONNECTOR WITH MALE CRIMP TERMINAL SERIES 84524.
  - ALL COMPONENTS ARE ROHS COMPLIANT.
  - 6 HEX NUT SOLD SEPARATELY, OPTIONAL FOR PANEL MOUNTING  
MOLEX MATERIAL NUMBER 845020004.
  - RECOMMENDED PANEL THICKNESS .062[1.58] TO .187[4.76]

QUALITY SYMBOLS	THIS DRAWING CONTAINS INFORMATION THAT IS PROPRIETARY TO MOLEX ELECTRONIC TECHNOLOGIES, LLC AND SHOULD NOT BE USED WITHOUT WRITTEN PERMISSION										
		2017/08/16 2017/10/03 2017/10/03  EC NO: 122085 DRWN: CRAODOREMS CHK'D: SMCGREEVY REV APPR: JDWALLACE	GENERAL TOLERANCES (UNLESS SPECIFIED)		DIMENSION UNITS	SCALE					
MM			INCH	IN[MM]	1:1						
			4 PLACES ±	±	DRWN BY	DATE	RECPT. CONNECTOR ASSEMBLY, 18-14 POS PIN TERMINALS				
			3 PLACES ±	± 0.015	BRUPERT	2006/2/8					
			2 PLACES ±	± 0.38 ± 0.02	CHK'D BY	DATE	PRODUCT CUSTOMER DRAWING				
			1 PLACES ±	± 0.5 ±	JPAWLICKI	2006/2/8					
			0 PLACES ±	±	APPR BY	DATE	PRODUCT CUSTOMER DRAWING				
					RDEROSS	2006/2/8					
			ANGULAR TOL ± 1.0		DRAWING SIZE	THIRD ANGLE PROJECTION	SERIES	MATERIAL NUMBER	CUSTOMER		
			DRAFT WHERE APPLICABLE MUST REMAIN WITHIN DIMENSIONS		B		84502	SEE CHART	GENERAL MARKET		
							DOCUMENT NUMBER	DOC TYPE	DOC PART	SHEET NUMBER	
							SD-84502-002	PSD	001	1 OF 1	