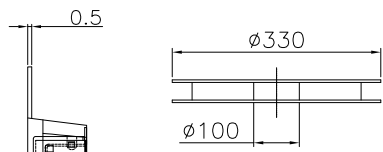
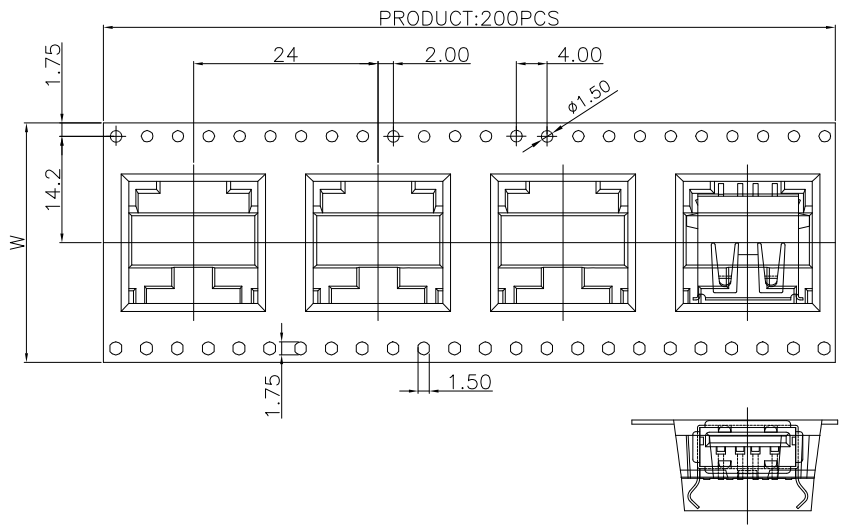


Specifications:  
 Current Rating:1.5A AC/DC  
 Voltage Rating:30V AC/DC  
 Contact Resistance:30m ohm. Max.  
 Insulation Resistance:1,000M ohm. min.  
 Withstanding Voltage:500V AC For One Minute  
 Operating Temperature Range:-40°C ~ +105°C

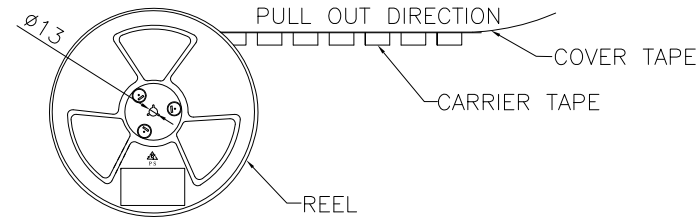
Material and Finish  
 Insulator:LCP (UL94V-0)  
 Insulator Color:Black  
 Contact:Brass  
 Plating:30u" Gold Plated on Contact Area  
 Tin Plated on Solder Tail.  
 Shell:Brass,Nickel Plated

RoHS Compliant

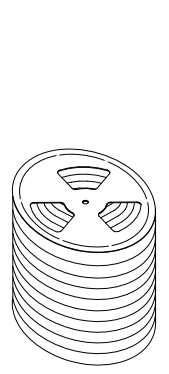
				DRAWN:	GENERAL TOLERANCE: .X=±0.20 X°.=±5° .XX=±0.10 .X°=±3°	<h1 style="color: red; text-align: center;">CnC Tech</h1> <p style="text-align: center;">Industrial Cable and Connector Technology</p>		
				CHECKED:	UNIT: MM SCALE:1:1			DESCRIPTION: <b>USB A TYPE SMD W/KINK TYPE, 30 u"</b>
				APPROVAL:	SHEET: 1 / 2	PART NO:	<b>1002-002-01100-TR</b>	
REV	DATE	FILE	BY		PROJECTION:			



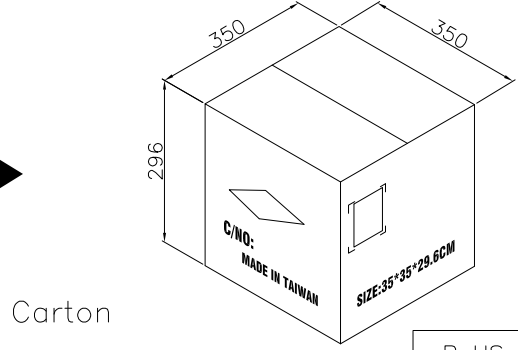
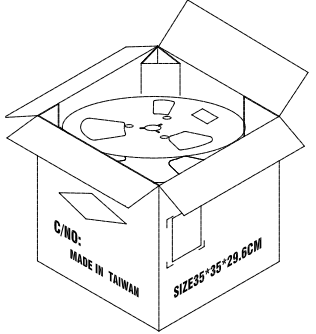
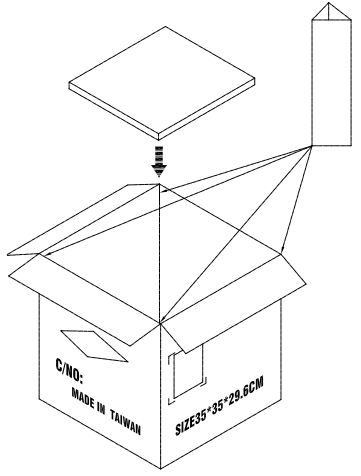
Note:  
 1.Dimension:  
 Carton Size:350X350X296 (mm)  
 2.Qunntity:  
 200 Pcs/R  
 7 R/Carton  
 Q'TY: 1400pcs



Pin. NO	W	Pcs/R	R/Carton	Q'TY
04	32	200	7	1400



7/Reel



Carton

RoHS Compliant

REV	DATE	FILE	BY

DRAWN:  
 CHECKED:  
 APPROVAL:

GENERAL TOLERANCE:  
 .X=±0.20 X°.=±5°  
 .XX=±0.10 .X°.=±3°  
 UNIT: MM  
 SCALE:1:1  
 SHEET: 2 / 2  
 PROJECTION:

**CnC Tech**  
 Industrial Cable and Connector Technology  
 DESCRIPTION:  
**USB A TYPE SMD W/KINK TYPE, 30 u"**  
 PART NO:  
**1002-002-01100-TR**

SIZE  
**A4**

A  
 B  
 C  
 D