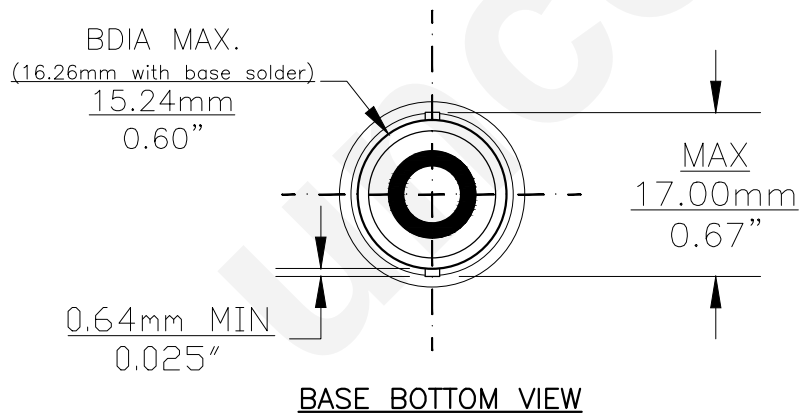
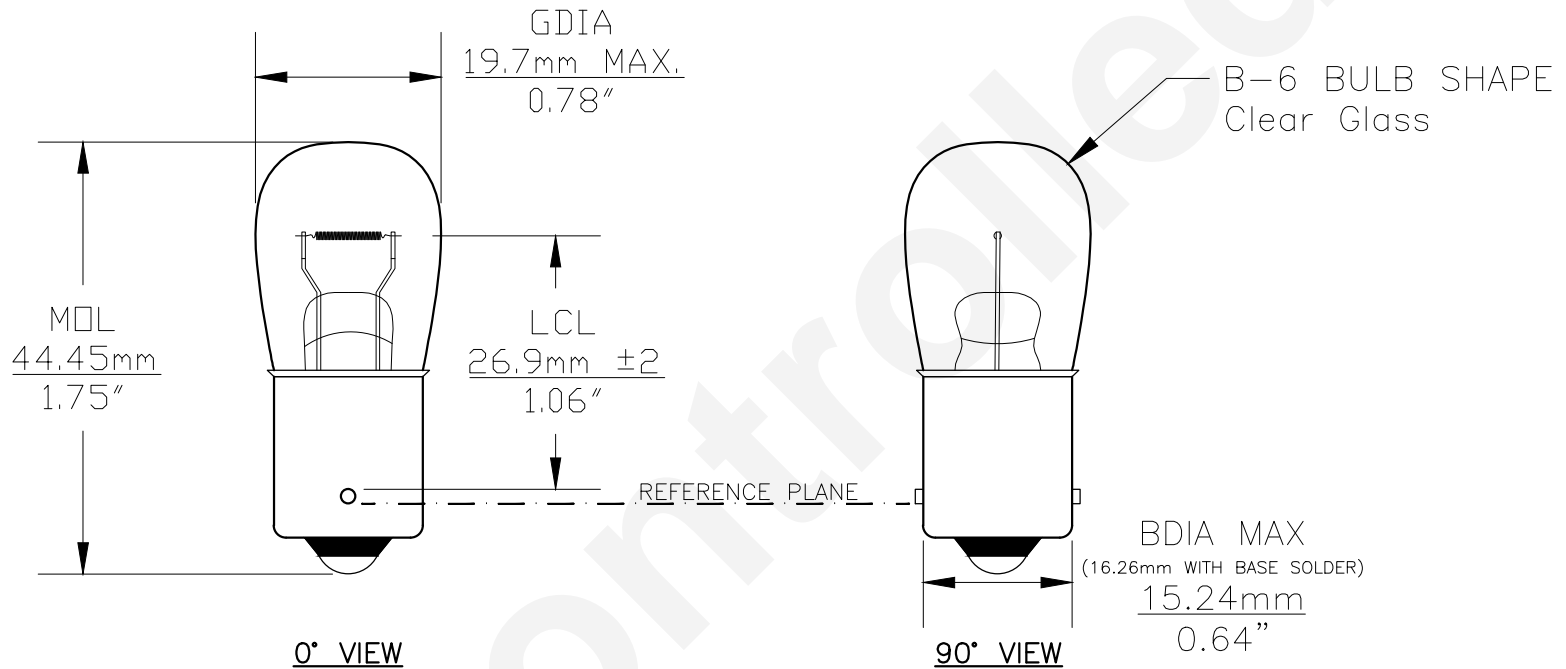




PART NO.	BASE TYPE	DESIGN VOLTS	DESIGN AMPS	MSCD	FILAMENT TYPE	AVERAGE LIFE HOURS	REVISIONS			
							REV #	DESCRIPTION	DATE	APPROVED
105	S.C. Bayonet (BA15s)	12.8V	1 ±10%	12±15%	C-6	500	1	ISSUED	05/30/2013	D.C.



Note: Made according to SAE specifications



UNLESS OTHERWISE SPECIFIED: DIMENSIONS ARE IN INCHES TOLERANCES		CEC INDUSTRIES LTD			
DECIMALS	ANGULAR	599 BOND STREET		LINCOLNSHIRE, IL 60069	
.XX ± .05	± 0.5°	TITLE LIGHT BULB NO. 105			
.XXX ± .010		SIZE A	FSCM NO.	DWG NO. 105	REV 1
FRACTIONAL	± 1/64	DESIGN	SCALE	PLOT SCALE	SHEET 1 OF 1
DRAWN D. C.		DATE 05/30/2013		MATERIAL	
CHECKED		FILE 105.pdf		DRAWING NOT TO SCALE	