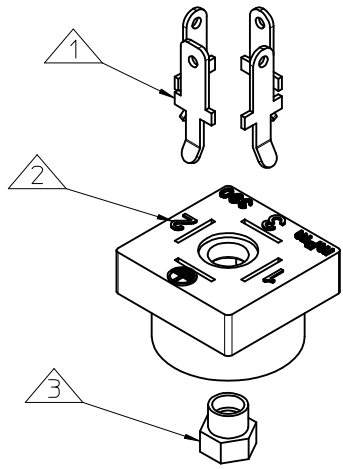
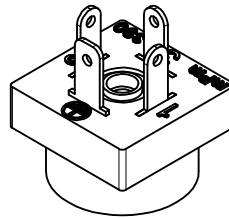


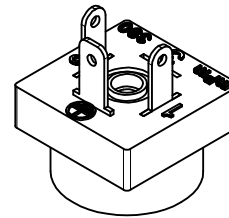
10 9 8 7 6 5 4 3 2 1



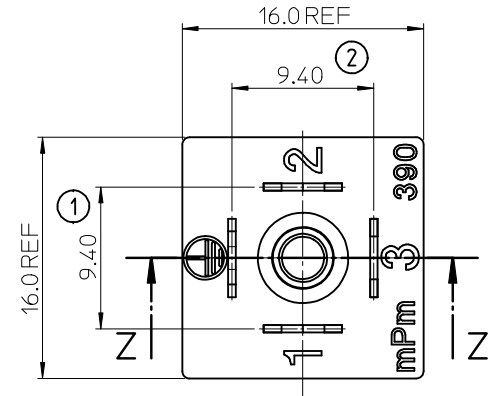
ITEM	DESCRIPTION
1	TERMINALS
2	BASE HOUSING
3	CENTRE SCREW INSERT



3P+T VERSION

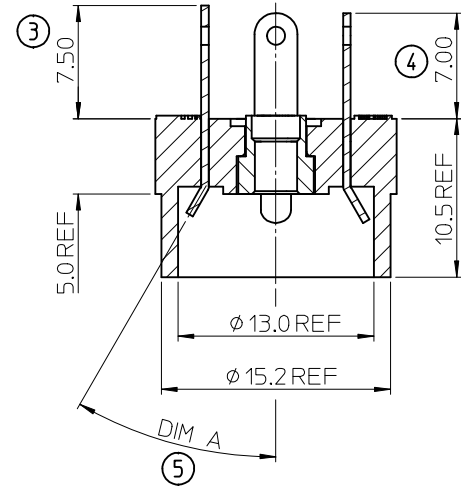


2P+T VERSION



B393000N0

SERIES _____
 B39= FORM C MICRO _____
 POLES _____
 2= 2 POLE & 3= 3 POLE _____
 CURVED BASE DIAMETER _____
 000= FLAT BASE _____
 MATERIAL AND HOUSING COLOUR _____
 N= PA BLACK _____
 SCREW AND GASKET _____
 0= NO GASKET, NO SCREW _____



Z-Z

PART NUMBER	mPm NUMBER	DESCRIPTION	DIM A TERMINAL BEND ANGLE
1210120126	B392000N0	TYPE C MICRO 2P+T BLACK	45°±3°
1210120127	B393000N0	TYPE C MICRO 3P+T BLACK	45°±3°

- NOTES
- PLEASE SEE TABLE FOR CURRENTLY CONFIGURED PART NUMBERS. FOR SPECIFIC PART NUMBERS PLEASE CONTACT SALES OR CONSULT THE INTELLIGENT PART NUMBERS IN THE TABLE ATTACHED.
 - FOR PACKAGING SEE PACKAGING SPEC PK-121013-B39
 - PRODUCT SPEC: SEE PS-121201-001
 - TERMINALS BENT AFTER INSERTION, FOR BEND ANGLE SEE TABLE

LAST INSPECTION NUMBER: 5

ORIGINAL RELEASE EC NO: IPG2013-1282 DRW:DSHEA 2013/02/19 CHKD:SMCGREEVY 2013/02/20 APPR:STGRIFFIN 2013/02/28	DESCRIPTION REV A	QUALITY SYMBOLS	GENERAL TOLERANCES (UNLESS SPECIFIED)	DIMENSION STYLE	SCALE	DESIGN UNITS	THIRD ANGLE PROJECTION	
		▼=0 ∇=0	mm INCH 4 PLACES ± --- ± --- 3 PLACES ± --- ± --- 2 PLACES ± 0.10 ± --- 1 PLACE ± 0.20 ± --- 0 PLACE ± --- ± ---	MM ONLY	3:1	METRIC		
			ANGULAR ± 2 °	DRAWN BY	DATE	TITLE		
			DRAFT WHERE APPLICABLE MUST REMAIN WITHIN DIMENSIONS	DSHEA	2013/02/19	B39 SERIES BASE		
				SMCGREEVY	2013/02/20			
		STGRIFFIN	2013/02/28	MATERIAL NO.	DOCUMENT NO.			
				SEE TABLE		SD-121012-126	1 OF 1	
				THIS DRAWING CONTAINS INFORMATION THAT IS PROPRIETARY TO MOLEX INCORPORATED AND SHOULD NOT BE USED WITHOUT WRITTEN PERMISSION				

9 8 7 6 5 4 3 2 1