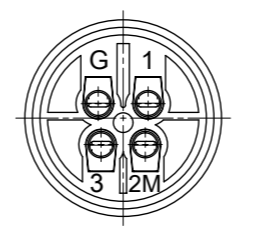
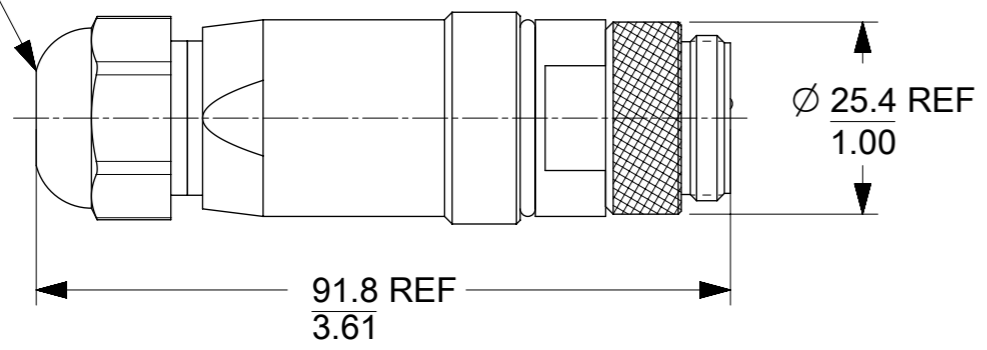
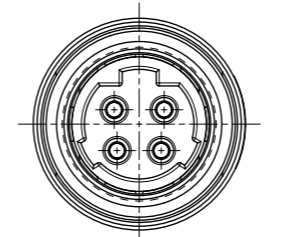
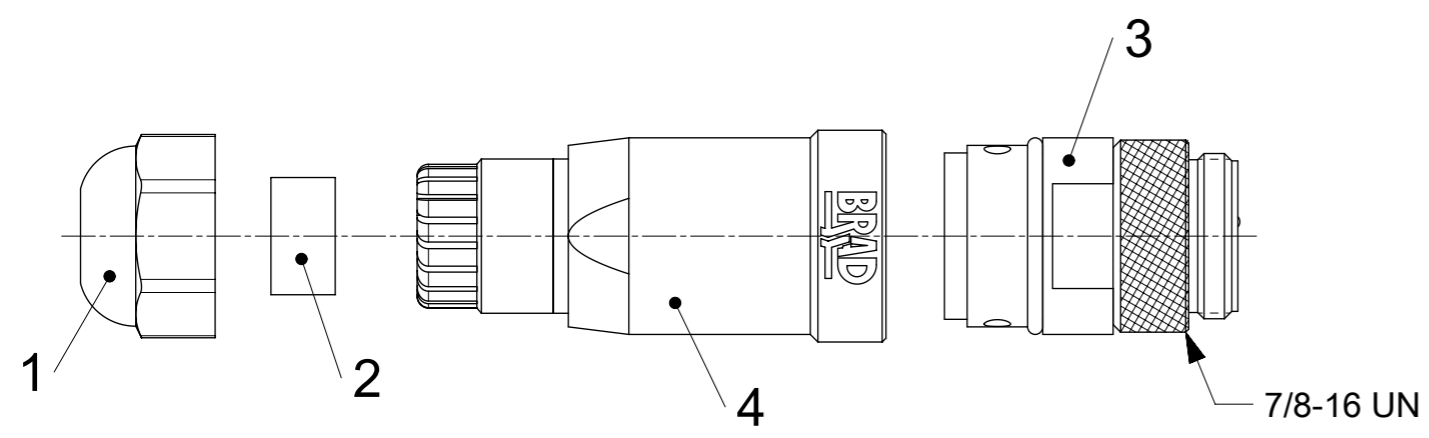
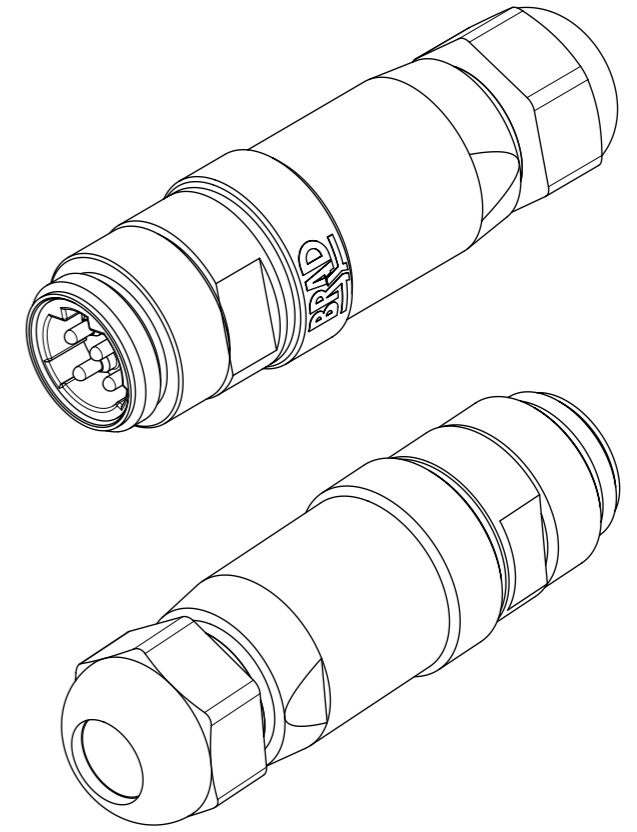


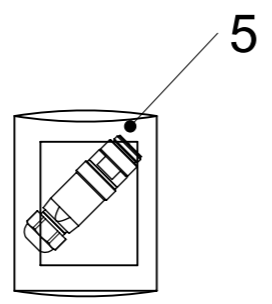
O.D. CABLE RANGE
6.0-12.0/0.24-0.48



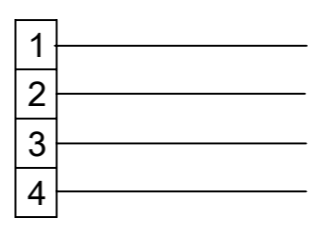
BACK SIDE
INSERT ONLY



MALE FACE VIEW



WIRING CHART



NOTES:

- ELECTRICAL SPECIFICATION
 VOLTAGE RATING: 600VAC
 AMPERAGE RATING: max. 15 AMPS
 PROTECTION: IP67
 OPERATING TEMPERATURE: -20°C TO +80°C
 FINAL OPERATING TEMPERATURE NEEDS TO BE CONFIRMED
- UL CERTIFICATION: UL LISTED AND CULUS LISTED.
 FILE NUMBER E258922
- ENGINEERING NUMBER: 1A4106-34PWR

BOM

ITEM	QTY	COMPONENT	MATERIAL	FINISH
1	1	HUT NUT PG 13.5	PA, BLACK	-
2	1	GASKET MO	NITRILE, BLACK	-
3	1	PLG MC 4P OC MA STR PA	-	-
4	1	SHELL PG13.5	PA, BLACK	-
5	1	POLYBAG 200x200x0.050	PE	-

SYMBOLS ▽ = 0 ▽ = 0 ▽ = 0 ▽ = 0 ▽ = 0 ▽ = 0 ▽ = 0 ▽ = 0 ▽ = 0 ▽ = 0 ▽ = 0 ▽ = 0	THIS DRAWING CONTAINS INFORMATION THAT IS PROPRIETARY TO MOLEX ELECTRONIC TECHNOLOGIES, LLC AND SHOULD NOT BE USED WITHOUT WRITTEN PERMISSION DIMENSION UNITS: MM/INCH SCALE: 1:1 GENERAL TOLERANCES (UNLESS SPECIFIED): ANGULAR TOL ± 1.0° 4 PLACES ± 3 PLACES ± 2 PLACES ± 0.05 1 PLACE ± 0.3 0 PLACES ± 0.5 DRAFT WHERE APPLICABLE MUST REMAIN WITHIN DIMENSIONS	CURRENT REV DESC: BOM UPDATED EC NO: 632285 DRWN: RSCHIEBER 2020/02/12 CHK'D: RSILLER 2020/02/17 APPR: RSILLER 2020/02/17 INITIAL REVISION: DRWN: RSCHIEBER 2016/01/26 APPR: CBRUNS 2016/03/16	molex FA MC 4P 0C MA STR PG13.5 UNSH BK PA AU PRODUCT CUSTOMER DRAWING
	DOCUMENT NUMBER: 1300170064 DOC TYPE: PSD DOC PART: 000 REVISION: A2	MATERIAL NUMBER: 1300170064 CUSTOMER: GENERAL MARKET SHEET NUMBER: 1 OF 1	