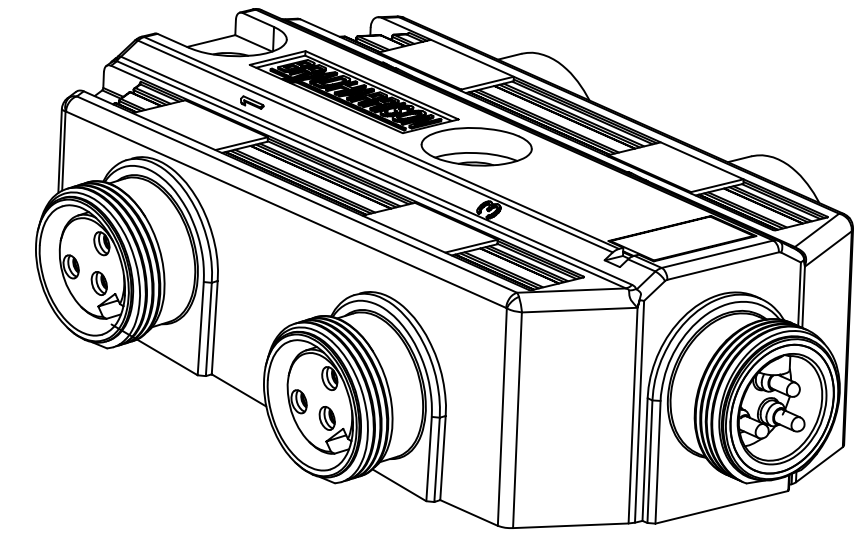
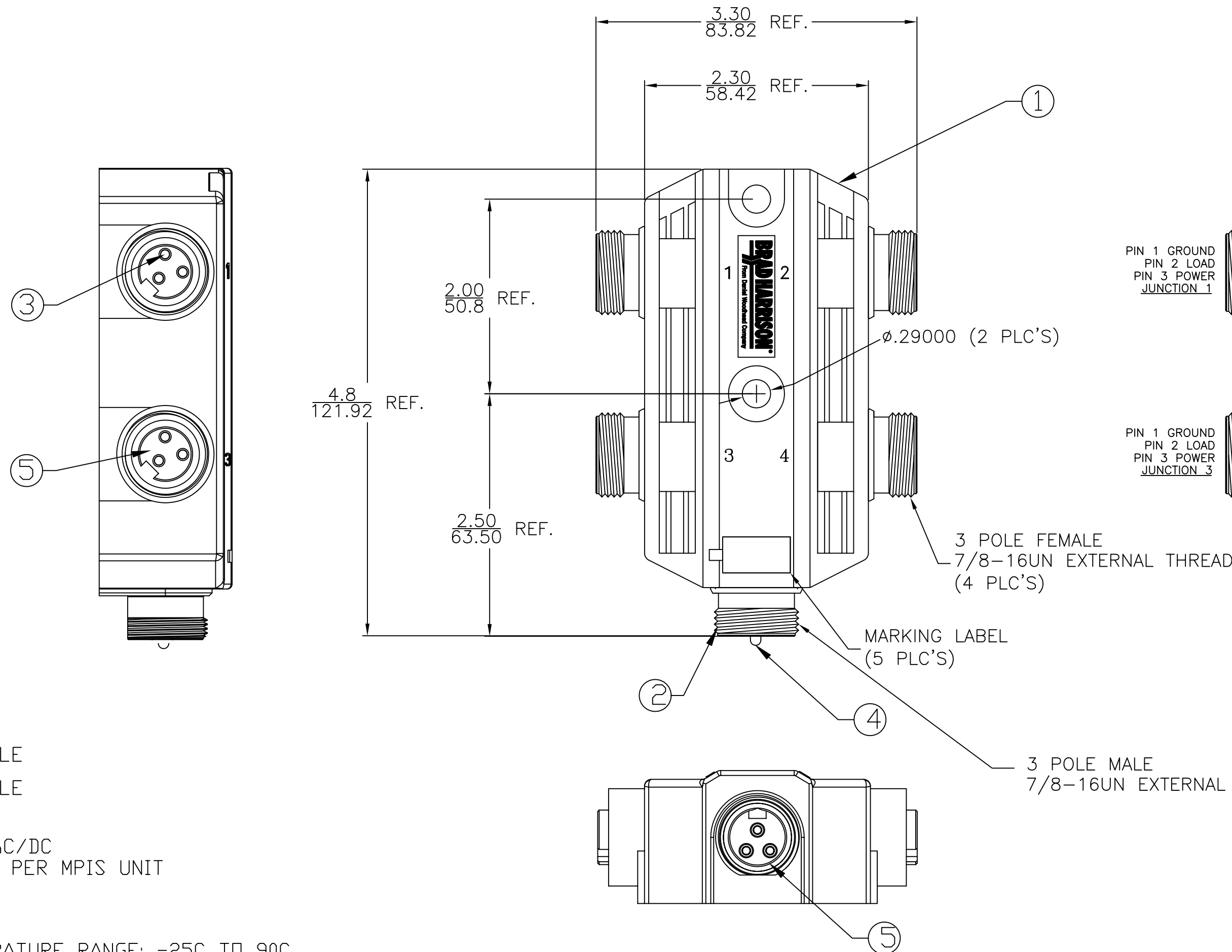


MATERIAL NUMBER ENGINEERING NUMBER

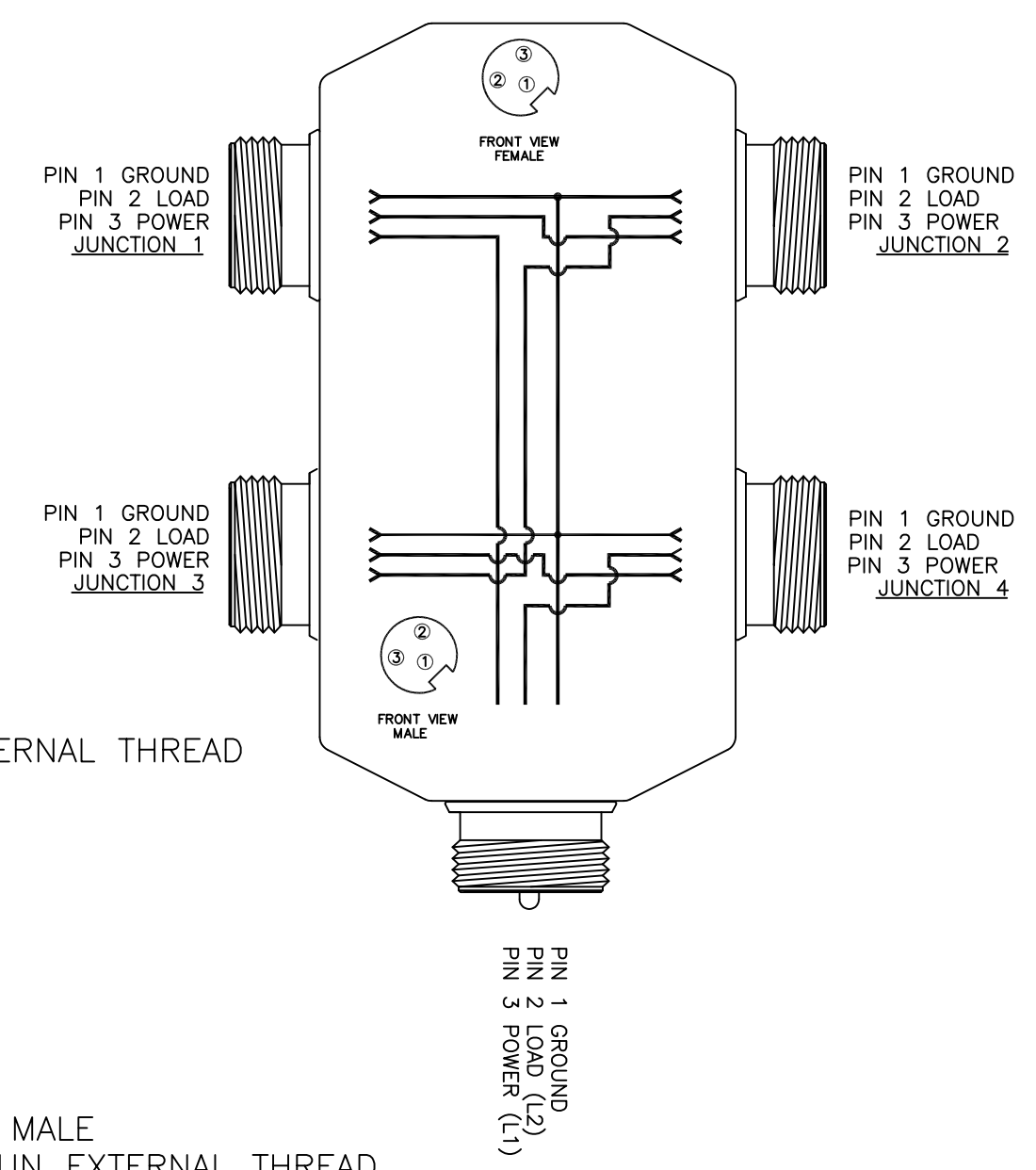
1300600002 409P403



DIMENSIONAL



SCHEMATIC



NOTES:

- 1) MATERIAL: SEE TABLE
- 2) FINISHES: SEE TABLE
- 3) ELECTRICAL DATA:
 VOLTAGE: 600V AC/DC
 AMPERAGE: 7AMPS PER MPIS UNIT
- 4) ENVIRONMENTAL:
 PROTECTION IP67
 OPERATING TEMPERATURE RANGE: -25C TO 90C
- 5) LABEL IS MARKED WITH P/N, DATE CODE, AND SCHEMATIC
- 6) CERTIFICATION:
 UL: UL RECOGNIZED
 CSA: CSA CERTIFIED

ITEM	QTY.	DESCRIPTION	MATERIAL	FINISH
5	5	INSERT	PVC	YELLOW
4	3	PIN CONTACT	COPPER ALLOY	GOLD PLATED
3	12	SOCKET CONTACT	COPPER ALLOY	GOLD PLATED
2	5	RECEPTACLE SHELL	E-COATED ZINC ALLOY	BLACK
1	1	HOUSING	PBT	YELLOW

RELEASE EC NO: WNA2010-0456 DRWN: TWOLDEGE 2010/01/19 CH'KD: BWOODMAN APPR: JFMURPHY 2010/01/29	QUALITY SYMBOL	GENERAL TOLERANCES (UNLESS SPECIFIED)		DIMENSION STYLE		SCALE	DESIGN UNITS	THIRD ANGLE PROJECTION	
	$\nabla = 0$ $\nabla C = 0$	4 PLACES	mm	INCH	DRAWN BY	DATE	1:1	INCH	TITLE
		3 PLACES	±---	±---	CHECKED BY	DATE			4PORT SIDE MOUNT MPIS 4PORT 3-POLE FEMALE W/ 3P MALE HOME RUN CONN.
		2 PLACES	±0.13	±0.10	BWOODMAN	---			
		1 PLACE	±0.25	±0.20	APPROVED BY	DATE			MOLEX INCORPORATED
		ANGULAR ±1/2°		JFMURPHY 2010/01/29		DOCUMENT NO.		SHEET NO.	
		DRAFT WHERE APPLICABLE MUST REMAIN WITHIN DIMENSIONS		SEE CHART		SD-130060-001		1 OF 1	
				MATERIAL NO.		THIS DRAWING CONTAINS INFORMATION THAT IS PROPRIETARY TO MOLEX INCORPORATED AND SHOULD NOT BE USED WITHOUT WRITTEN PERMISSION			