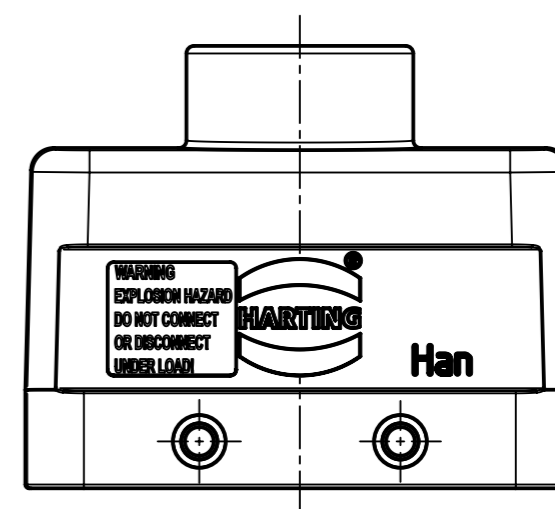
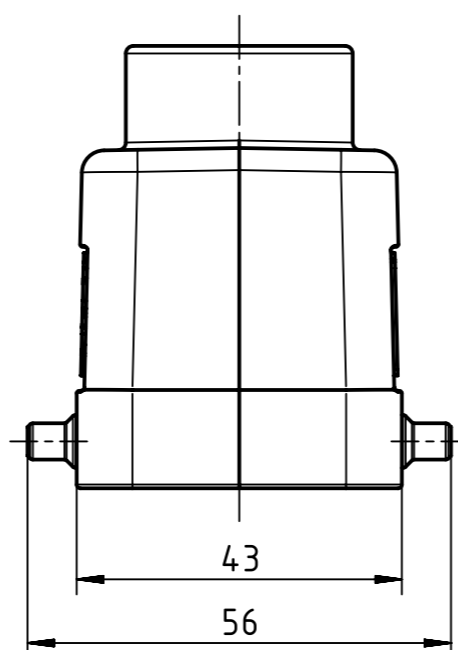
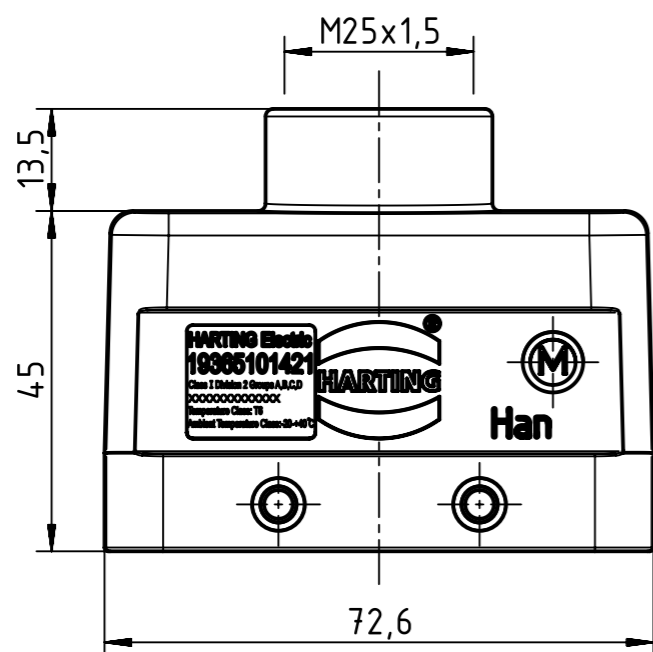
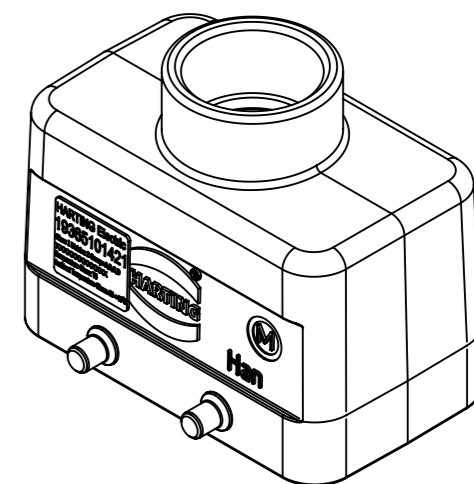


FOR USE WITH AWG 12, 14 AND 16

FOR USE WITH CABLE TYPE:
PLTC, PLTC-ER, ITC, ITC-ER, MC, MV AND TC

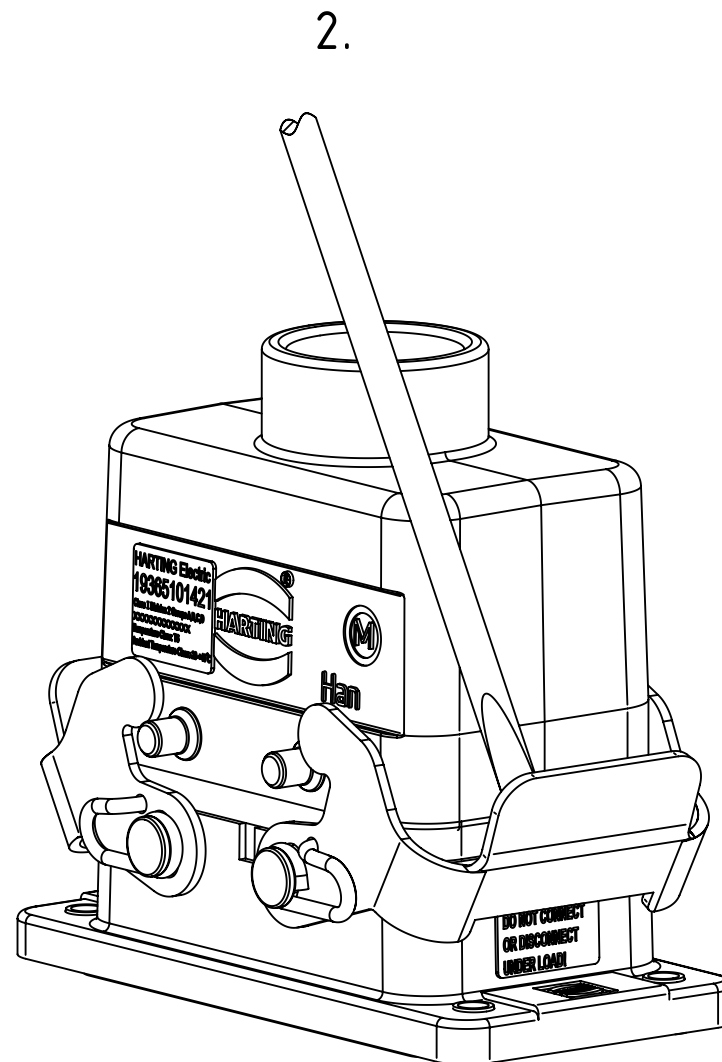
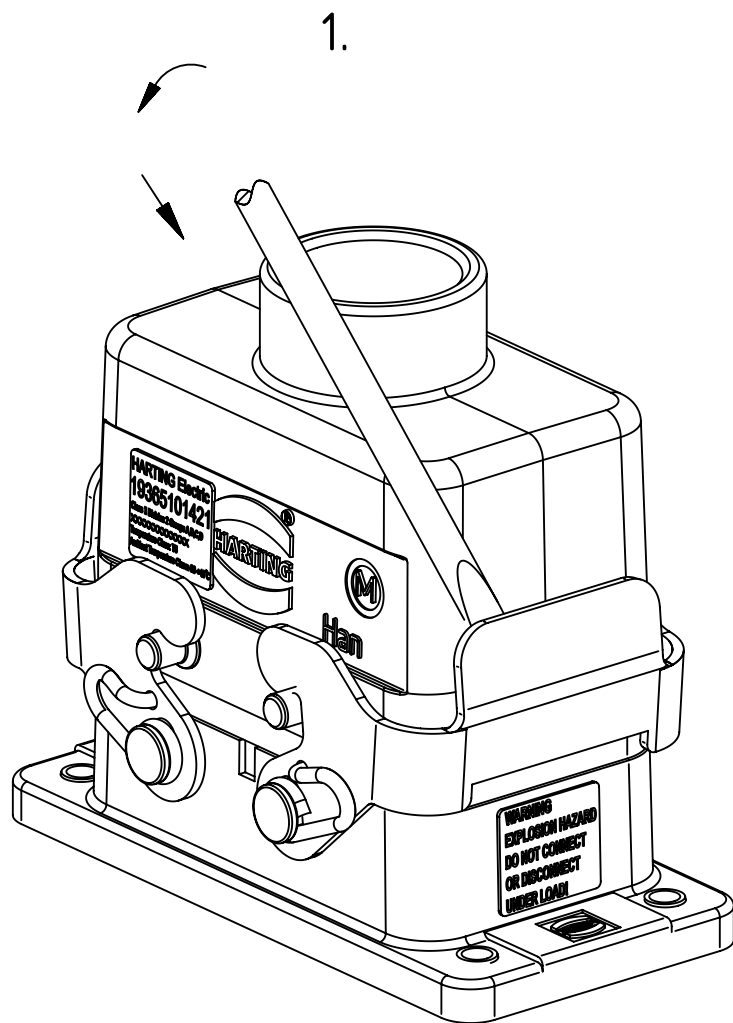
FOR USE IN CLASS I, DIVISION 2 GROUPS A, B, C AND D
HAZARDOUS LOCATIONS OR UNCLASSIFIED LOCATIONS



WARNING
EXPLOSION HAZARD
DO NOT CONNECT
OR DISCONNECT
UNDER LOAD!

THE INSTALLATION MUST BE IN ACCORDANCE WITH THE ASSOCIATED LOCATION RESTRICTIONS OF THE NATIONAL ELECTRIC CODE OR CANADIAN ELECTRICAL CODE AS APPLICABLE, INCLUDING ISSUES SUCH AS THE ROUTING, SUPPORT AND LENGTH OF THE INVOLVED CORD OR CABLE.

| | | | | | | | |
|--|---|--|--------------------------|----------------------|----------------------------|--|------------------------|
| | All rights reserved Department EL PD | All Dimensions in mm Original Size DIN A3 | | | Scale 1:1 | Free size tol. | Ref. |
| | | Created by LONGL | | Inspected by WENE | Standardisation RUETERA | Date 2018-06-27 | State Final Release |
| HARTING (Zhuhai) Manufacturing Co., Ltd. 519085 Zhuhai, China | | Title Han 10Ex UL-HTE-M25 | | | | Doc-Key / ECM-Nr. 100670080/UGD/000/C 500000136858 | |
| | | Type TB | Number 19 36 510 1421 | | | Rev. C | Page 1/2 |



To separate connectors, insert small flat head tool or screwdriver between metal lever and housing as shown in the diagram,. Press screwdriver in a downward direction until the metal lever releases.

To secure the hood and housing assembly together, press the metal levers in the upward direction until metal lever latches into housing pins.