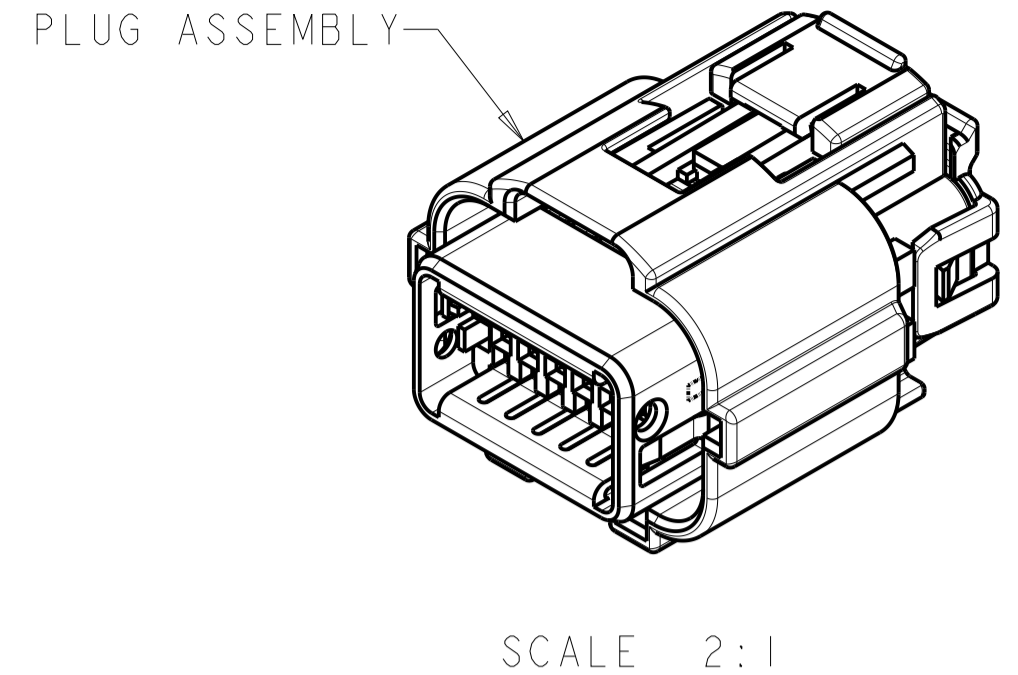
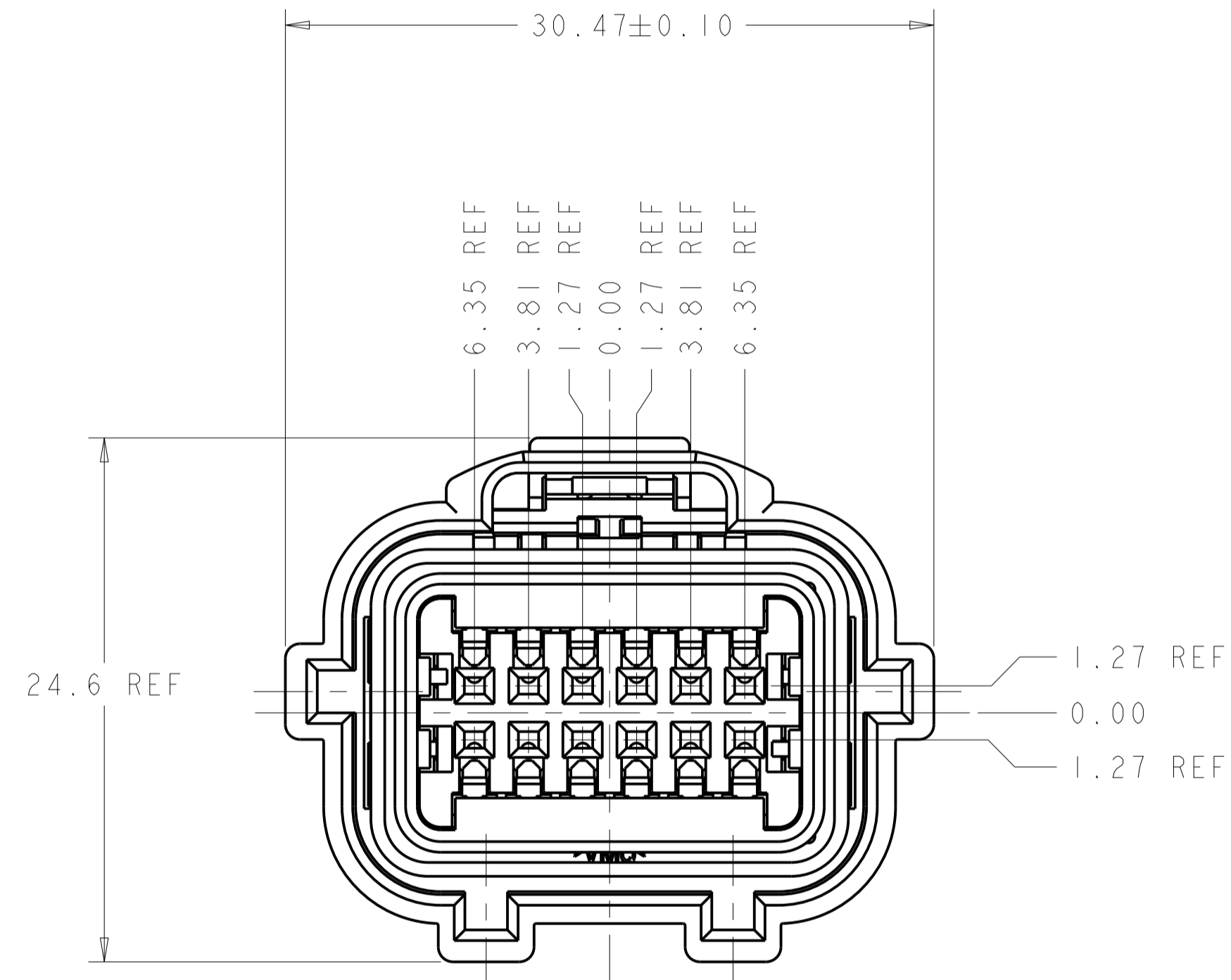
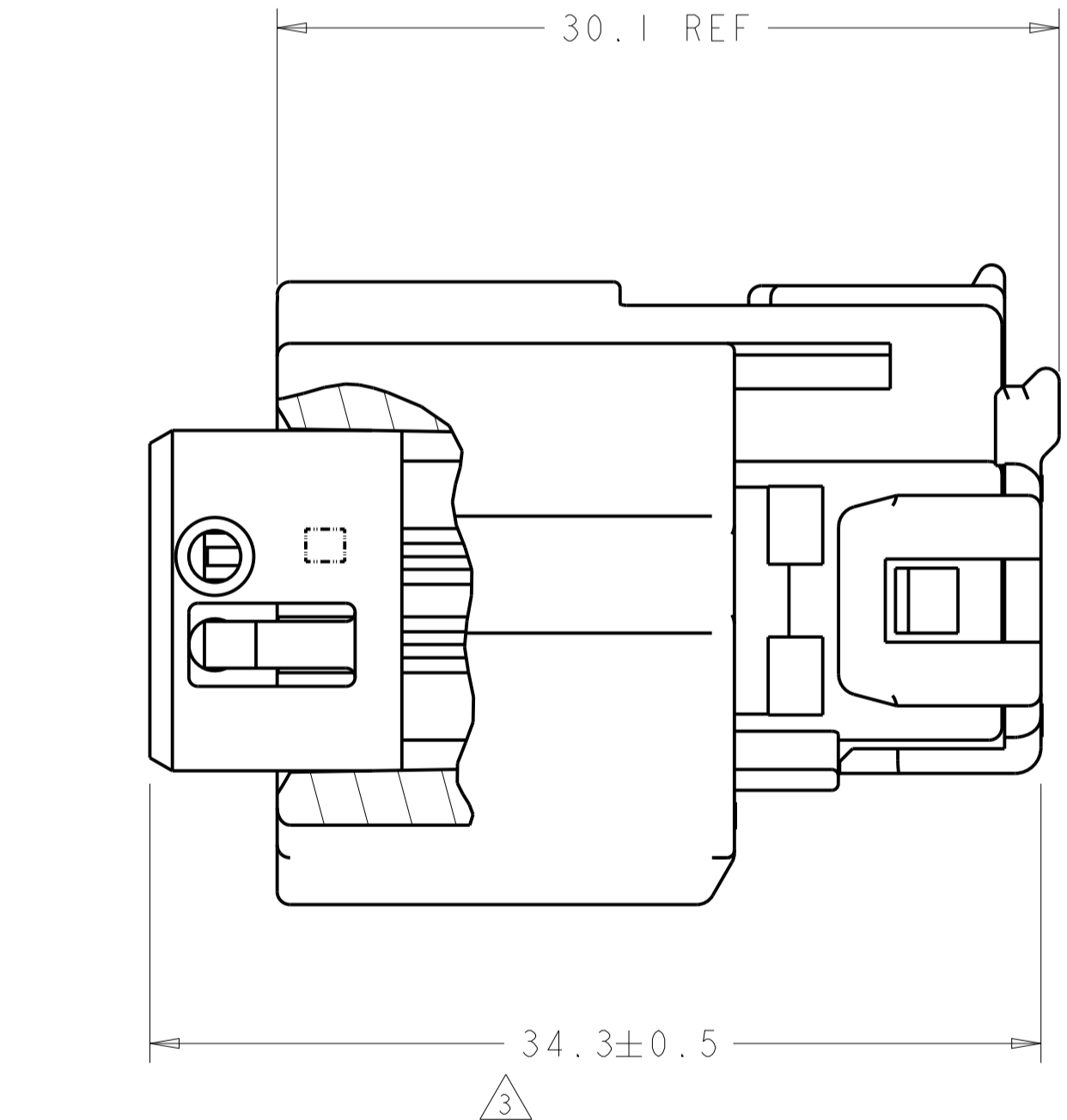
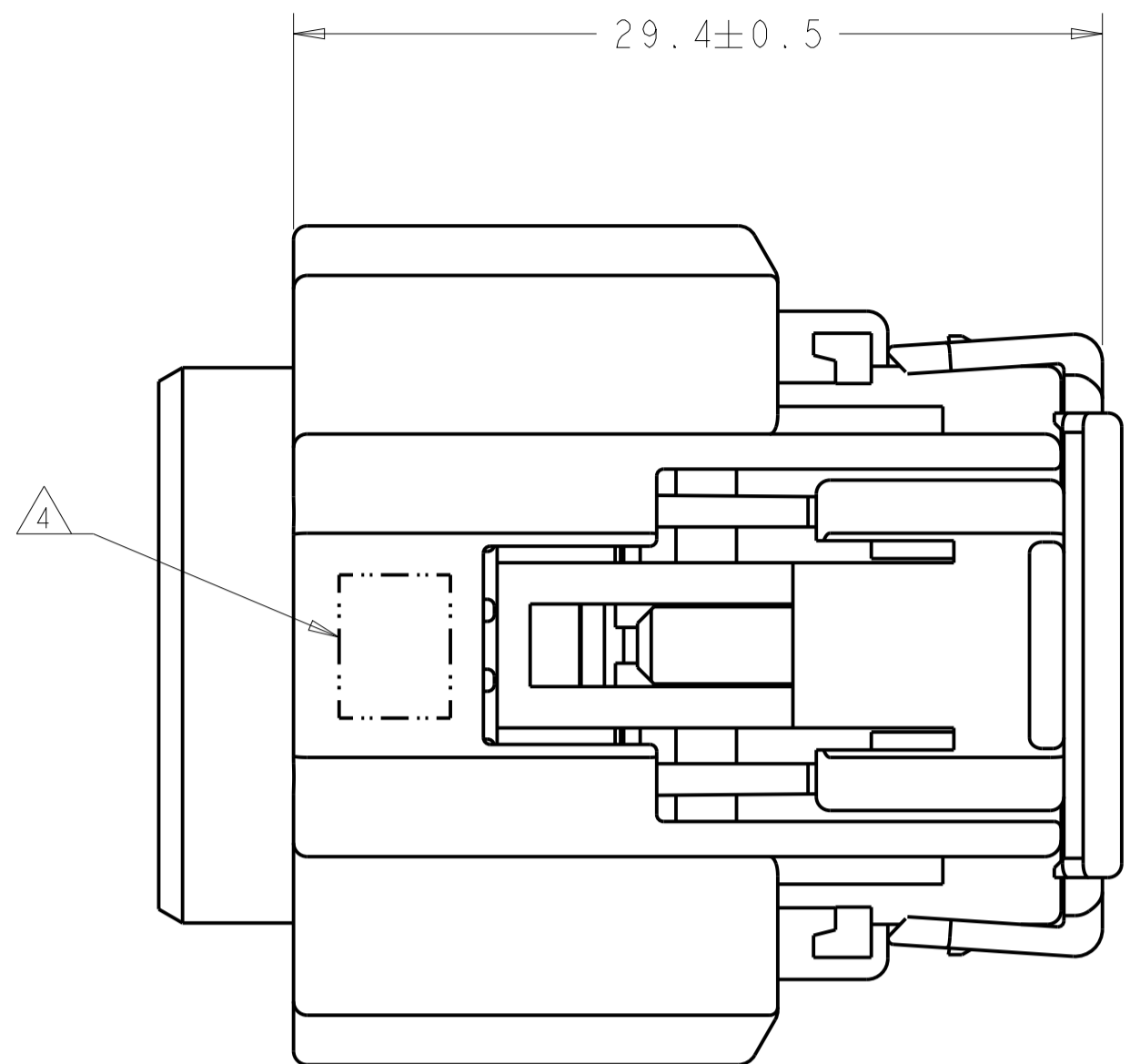
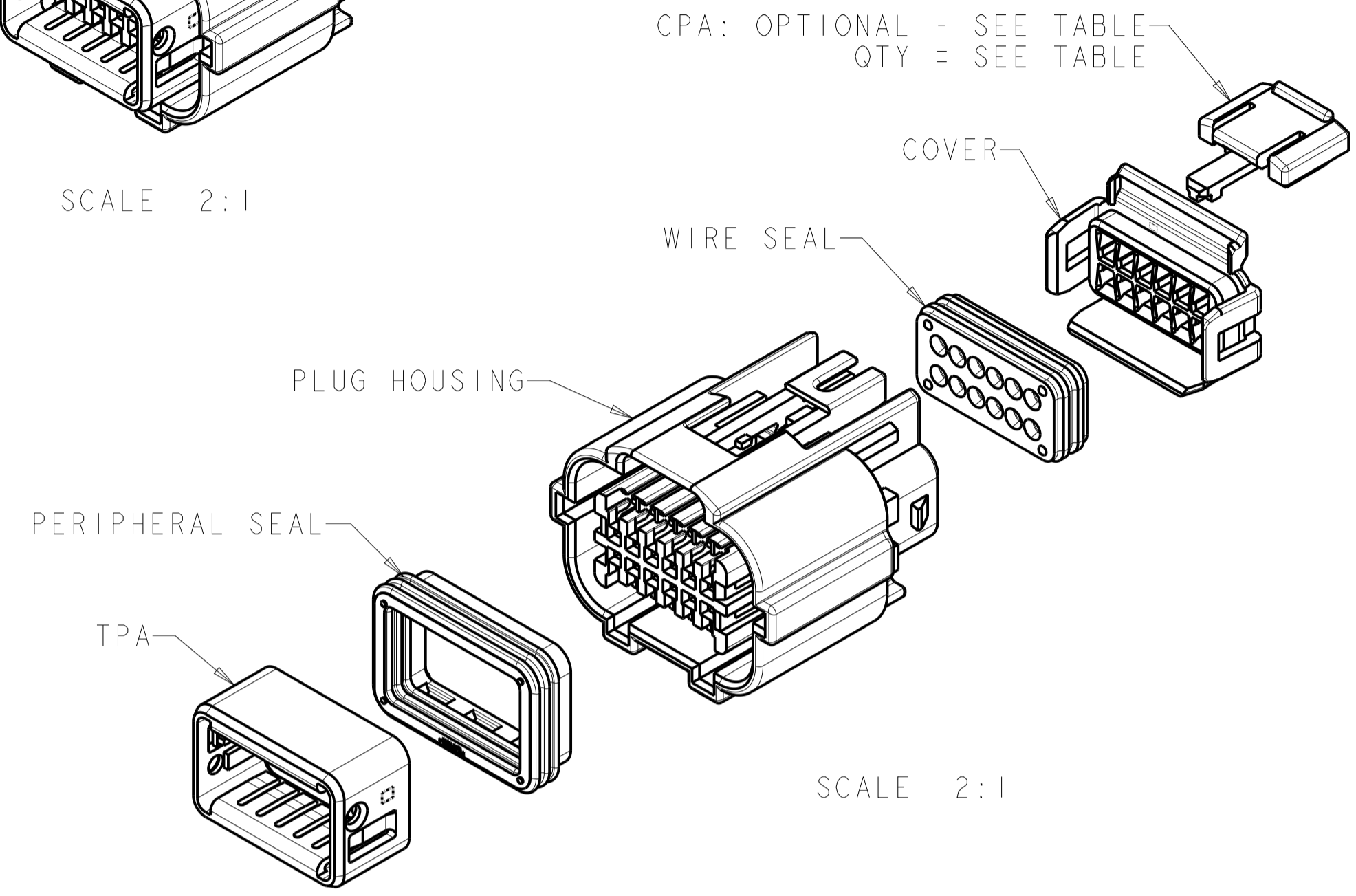


REVISIONS				
P	LTN	DESCRIPTION	DATE	APPROV
K		ADDED: -52 PER EC 0K80-0046-04	02MAR2004	DLD TMS
L		OBSOLETE: -1 THRU -4; EC 0K80-0053-04	09MAR2004	DLD TMS
M		REVISED PER EC 0K80-0331-04	02SEP2004	AH CS
M1		REVISED PER ECO-20-012414	23APR2021	AP JRV

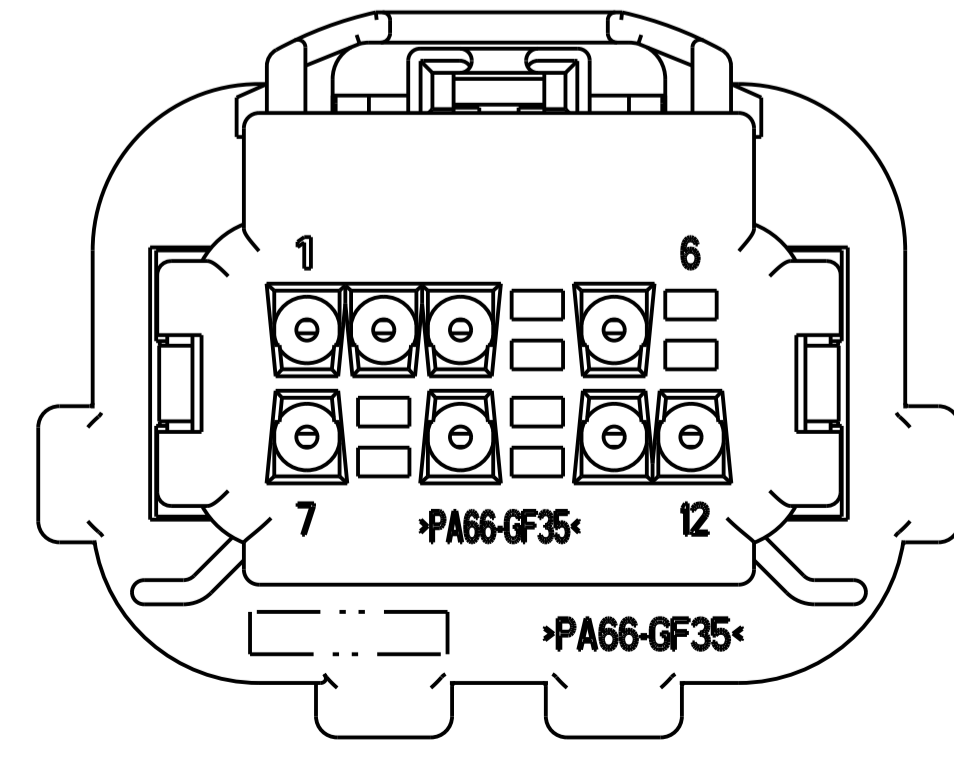


SCALE 2:1

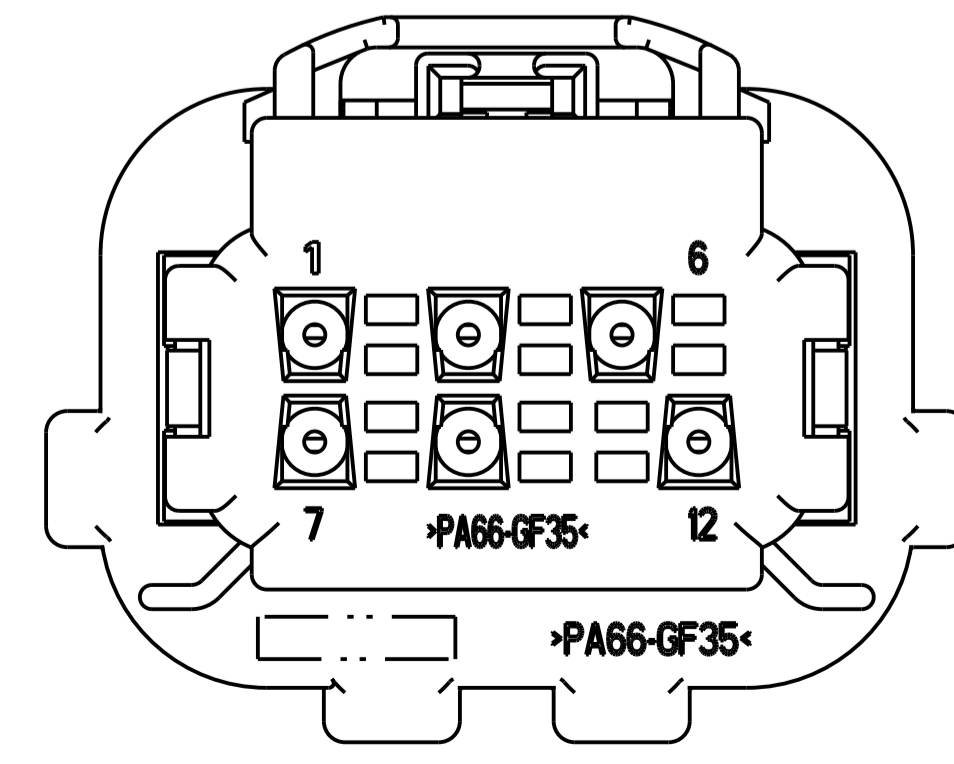


SCALE 2:1

- 1. 638518-5 SHOWN.
- 2. PLUG HOUSING: NYLON 6/6, 35% GLASS FILLED, 25% MAX REGRIND. COLOR: SEE TABLE.  
COVER: NYLON 6/6, 35% GLASS FILLED, BLACK, 25% MAX REGRIND.  
TPA: NYLON 6/6, 35% GLASS FILLED, RED, 25% MAX REGRIND.  
PERIPHERAL SEAL AND WIRE SEAL: SILICONE RUBBER, LIGHT GREEN.  
CPA: PBT 15% GLASS FILLED, RED
- 3. TPA SHOWN IN PRE-LATCHED POSITION.
- 4. MARK FOUR DIGIT JULIAN DATE CODE (DDDD), PLUS AN IDENTIFIER MARK FOR THE BLOCKED CIRCUIT CONFIGURATION ACCORDING TO THE BLOCKED CIRCUIT VERSION PART NUMBER SUFFIX, I.E., DDDD 1 IS PART NUMBER 2-638518-1.
- 5. TERMINALS SOLD SEPARATELY, SEE AMP RECOMMENDED P/N 1326028 (GOLD) OR 638551 (TIN) FOR TERMINATION AND REELING OPTIONS.



2-638518-1



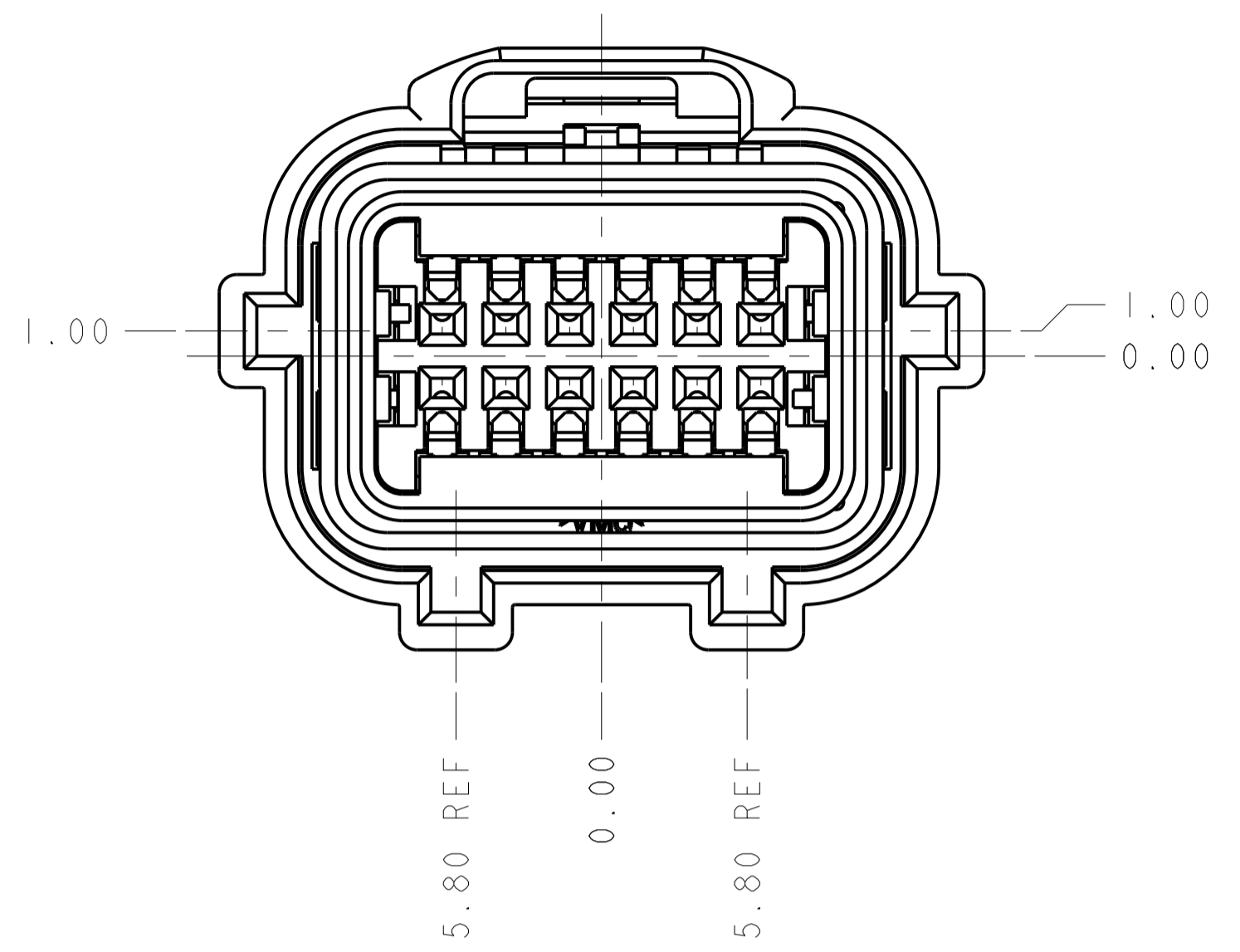
2-638518-2 AND 5-638518-2

PLUG HOUSING COLOR	CPA QTY	KEYING ARRANGEMENT (SEE SHEET 2)	PART NUMBER
OBSOLETE YELLOW	1	"D"	5-638518-2
BLACK	1	"D"	2-638518-2
BLACK	1	"D"	2-638518-1
BLACK	1	"D"	638518-8
TBD	1	"C"	638518-7
TBD	1	"B"	638518-6
BLACK	1	"A"	638518-5
OBSOLETE TBD	N/A	"D"	638518-4
OBSOLETE TBD	N/A	"C"	638518-3
OBSOLETE TBD	N/A	"D"	638518-2
OBSOLETE BLACK	N/A	"A"	638518-1

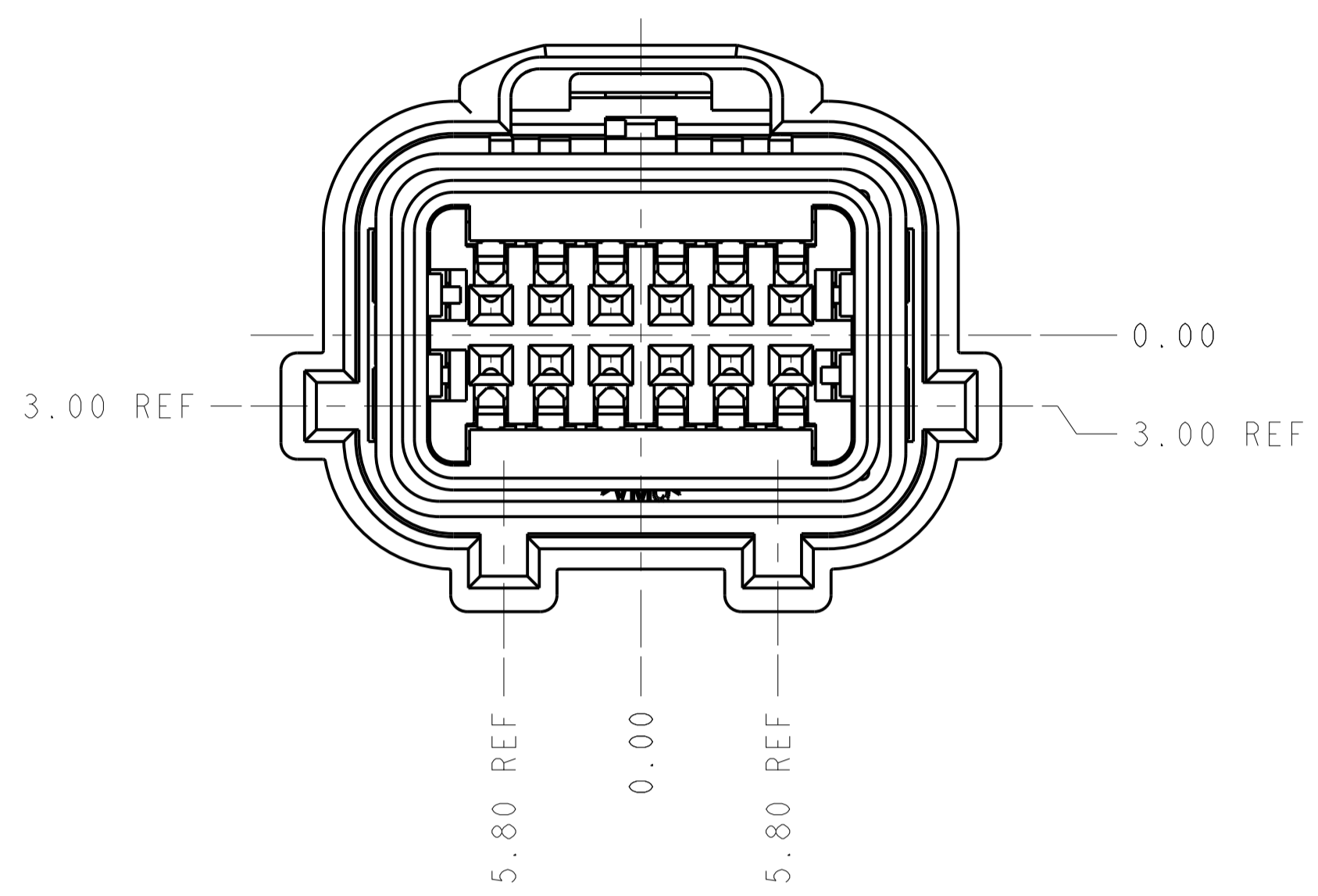
THIS DRAWING IS A CONTROLLED DOCUMENT.

DIMENSIONS:	TOLERANCES UNLESS OTHERWISE SPECIFIED:	OWN: M. SHORE 4MAY01	TE Connectivity
mm	0 PLC ±0.2	CHK: M. SHORE 4MAY01	NAME: PLUG ASSEMBLY, 12 POSITION 2X6, SEALED, 0.64mm CONNECTOR
	1 PLC ±0.10	APP'D: G. BALON 4MAY01	
	2 PLC ±0.10	PRODUCT SPEC: SAE/JUSCAR-2 8/97	SIZE: CAGE CODE DRAWING NO. RESTRICTED TO
	3 PLC ±0.10	APPLICATION SPEC:	A100779C=638518
MATERIAL:	FINISH:	WEIGHT:	SCALE: 4:1 SHEET 1 OF 2 REV: M1
		CUSTOMER DRAWING	

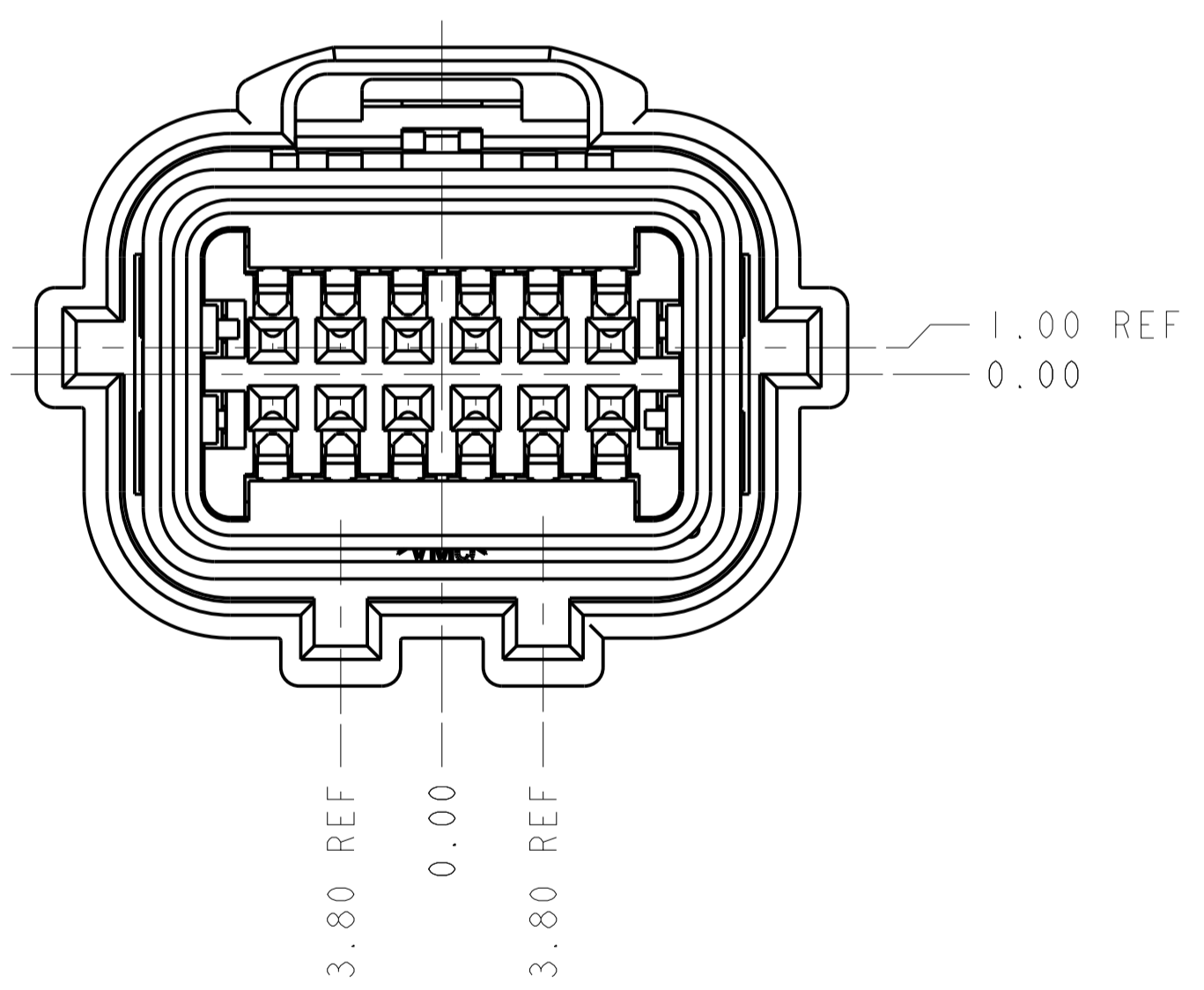
REVISIONS				
P.	LTN	DESCRIPTION	DATE	APVD
-	-	SEE SHEET 1	-	-



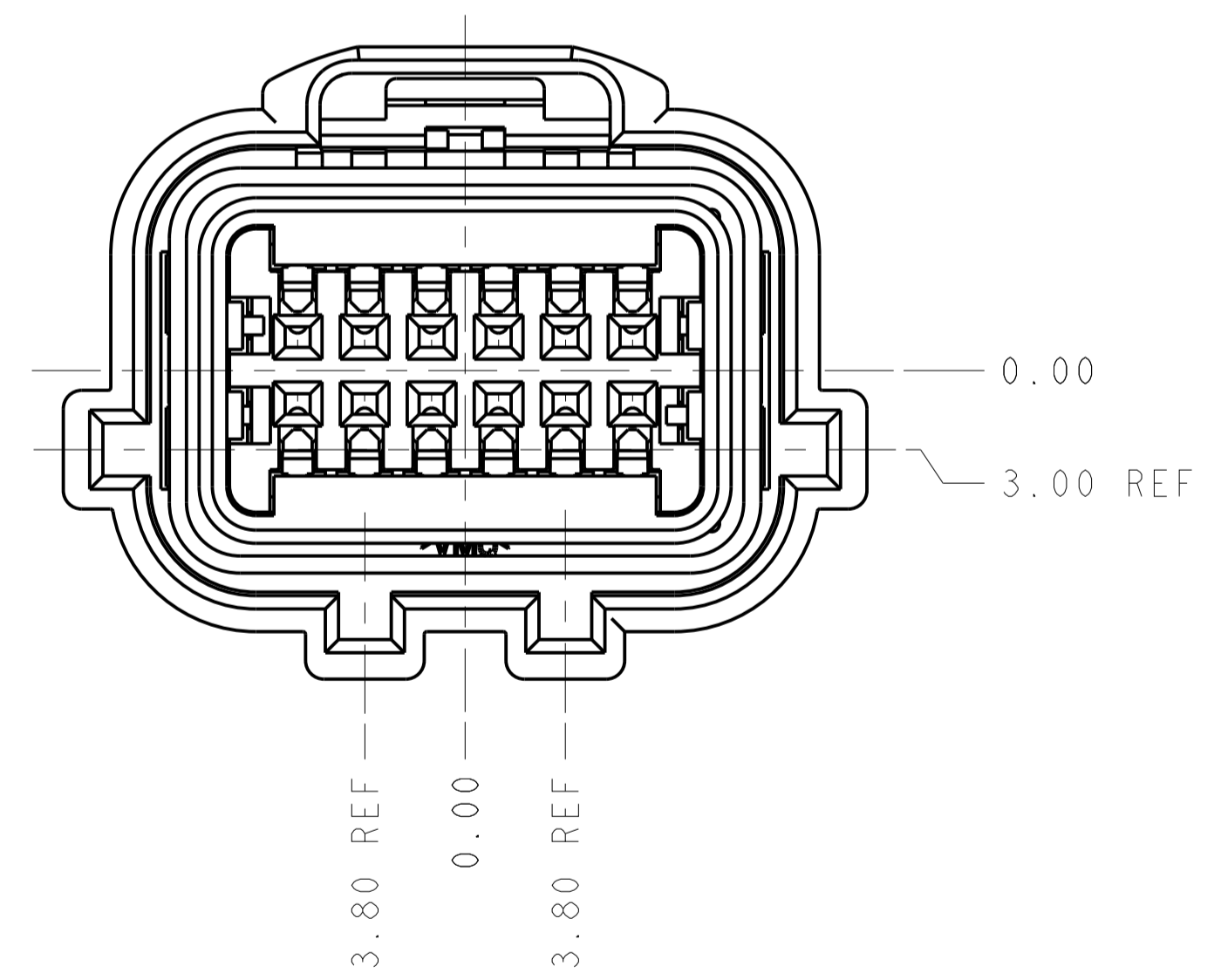
KEY CODE "A"  
(APPLIES TO -1 AND -5 ONLY)  
SCALE 4:1



KEY CODE "B"  
(APPLIES TO -2 AND -6 ONLY)  
SCALE 4:1



KEY CODE "C"  
(APPLIES TO -3 AND -7 ONLY)  
SCALE 4:1



KEY CODE "D"  
(APPLIES TO -4, -8, -21, -22 AND -52)  
SCALE 4:1

THIS DRAWING IS A CONTROLLED DOCUMENT.		OWN	M. SHORE	4MAY01		NAME PLUG ASSEMBLY, 12 POSITION 2X6, SEALED, 0.64mm CONNECTOR	
DIMENSIONS:		CHK	M. SHORE	4MAY01			
TOLERANCES UNLESS OTHERWISE SPECIFIED:		APVD	G. BALON	4MAY01			
mm		PRODUCT SPEC		SAE/JUSCAR-2 8/97			
0 PLC	±	APPLICATION SPEC		SIZE	CAGE CODE	DRAWING NO	RESTRICTED TO
1 PLC	±0.2	MATERIAL		WEIGHT	A100779	C=638518	-
2 PLC	±0.10	FINISH		CUSTOMER DRAWING	SCALE	4:1	SHEET 2 OF 2
3 PLC	±	MATERIAL					REV. M
4 PLC	±	FINISH					
ANGLES	±						