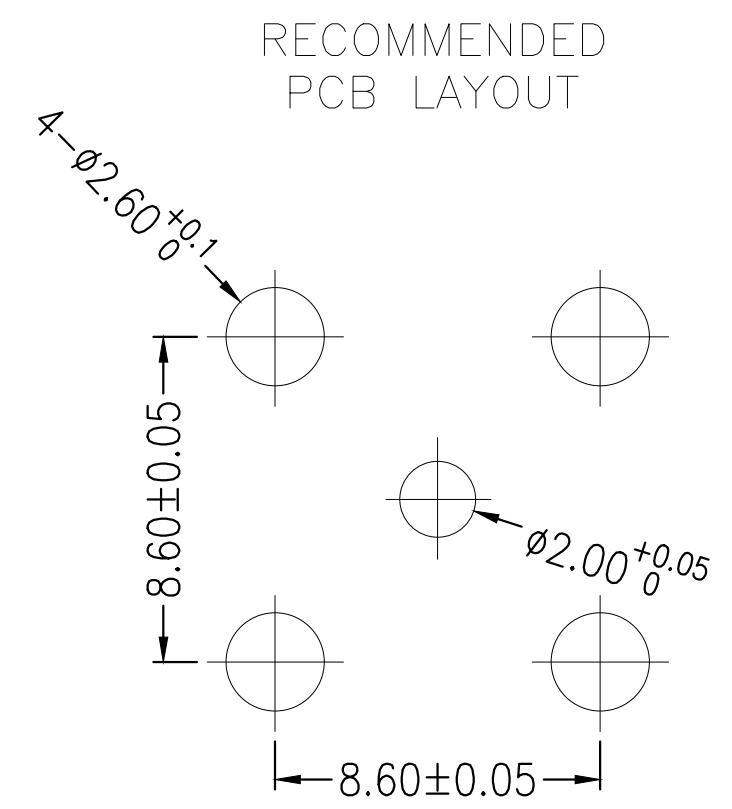
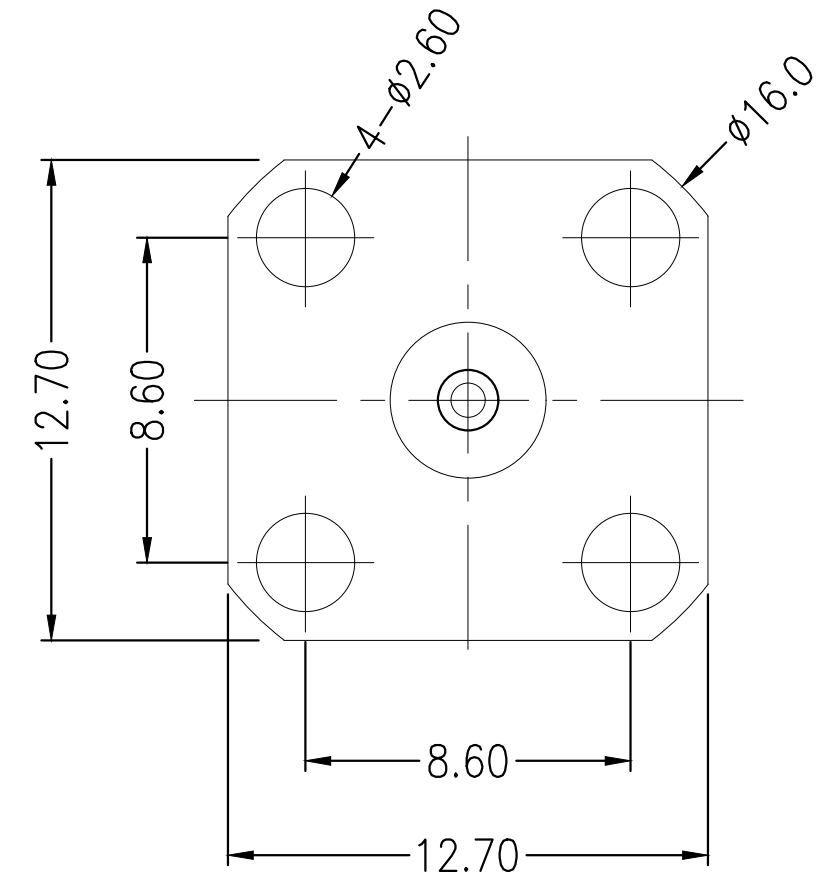
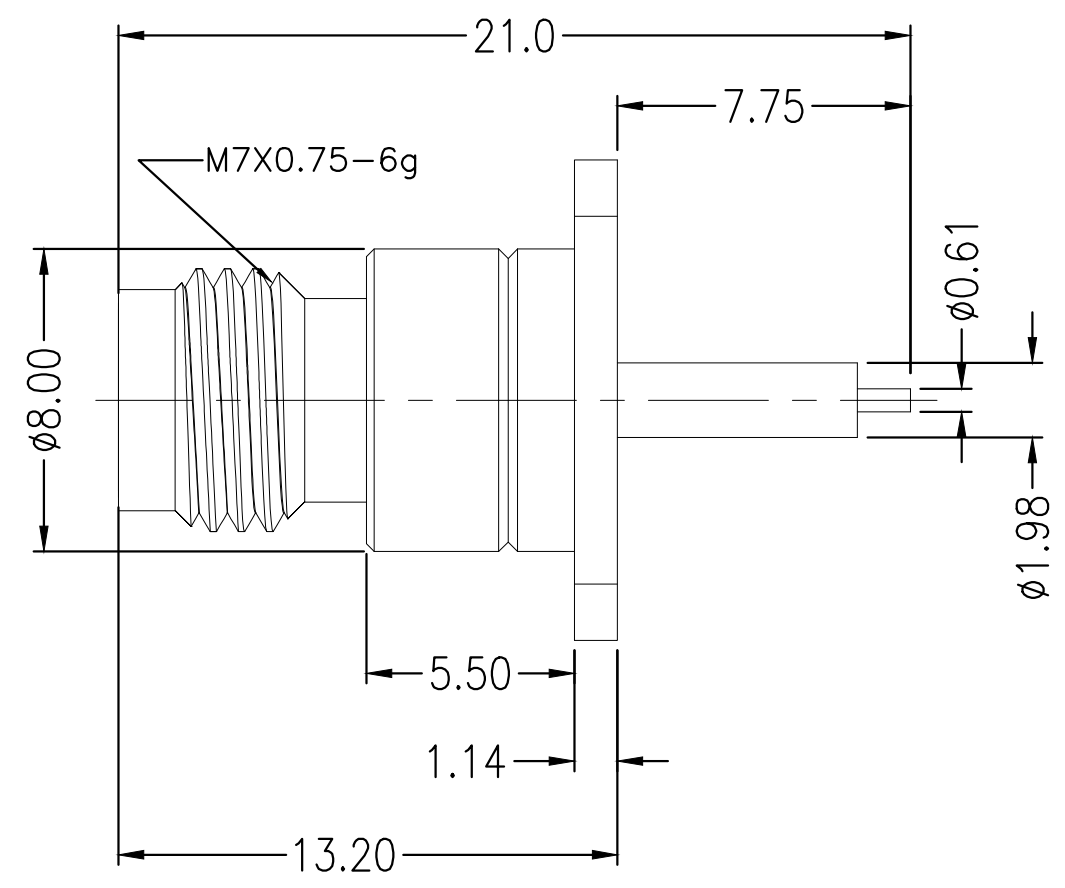


THIS DRAWING IS UNPUBLISHED. RELEASED FOR PUBLICATION
 © COPYRIGHT - TE Connectivity Ltd. ALL RIGHTS RESERVED.

REVISIONS					
P	LTR	DESCRIPTION	DATE	DWN	APVD
	A1	REVISE PER ECR-19-014902	24SEP2019	RZ	RS



- NOTES:
- 1 PACK IN ACCORDANCE WITH TE SPEC 107-3275
 - 2 ALL DIMENSIONS ARE NOMINAL FOR REFERENCE ONLY UNLESS OTHERWISE STATED

ELECTRICAL	MECHANICAL	ENVIRONMENTAL
Impedance (Ohm) <u>50</u>	Interface Dimension MIL-STD-348B Fig. <u>324-2</u>	TEMPERATURE RANGE <u>-65°C TO + 165°C</u>
Frequency Range (GHz) <u>DC to 50GHz</u>	Recommended Coupling Torque <u>7 to 10 In-Lbs</u>	THERMAL SHOCK <u>MIL-STD-202, METH.107, COND.B</u>
Voltage Rating (Peak) <u>@ Sea Level 335 V RMS</u>	Force to Engage and Disengage (In/lbs) <u>2.0 MAX</u>	CORROSION <u>MIL-STD-202, METH.101, COND.B</u>
Insulation Resistance (MIN.) <u>5000 M. ohms</u>	Center Contact Captivation Axial (Lbs) <u>6.0</u> Radial (In/Oz) <u>N/A</u>	VIBRATION <u>MIL-STD-202, METH.204, COND.D</u>
Contact Resistance (Milliohms MAX) Center Contact <u>3.0</u> Outer Contact <u>2.0</u>	Cable Retention Axial (Lbs) <u>N/A</u>	SHOCK <u>MIL-STD-202, METH.213, COND.I</u>
Dielectric Withstand Voltage: <u>1000 V RMS Max</u>	Mating cycles <u>500 cycles</u>	MOISTURE RESISTANCE <u>MIL-STD-202, METH.106</u>
Insertion Loss : <u>0.05*SQRT(F) dB</u>		ROHS <u>COMPLIANT</u>
VSWR: <u>1.3 MAX (GHz)</u>		
RF leakage: <u>N/A</u>		
3rd Intermodulation: <u>N/A</u>		

QUANTITY PER ASSY	PARTS LIST
1	PVC (BLACK) DUST CAP 4
1	PASSIVATE STAINLESS STEEL OUTER CONTACT 3
1	PTFE INSULATION 2
1	Au BeCu CENTER CONTACT 1
-1	PLATING MATERIAL DESCRIPTION ITEM

THIS DRAWING IS A CONTROLLED DOCUMENT.

DWN RZ	06MAY2019	 TE Connectivity	NAME 2.4mm JACK 4-HOLE FLANGE RECEPTACLE			
CHK ED	06MAY2019					
APVD RS	06MAY2019					
PRODUCT SPEC						
APPLICATION SPEC		SIZE	CAGE CODE	DRAWING NO	RESTRICTED TO	
		A3	00779	C-2081935		
MATERIAL	FINISH	CUSTOMER DRAWING		SCALE	SHEET	REV
				1:1	1 OF 1	A1