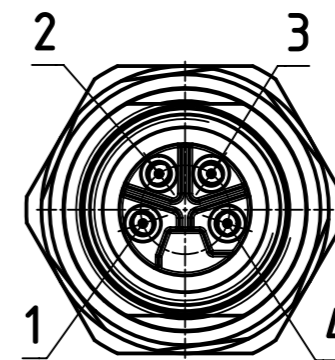
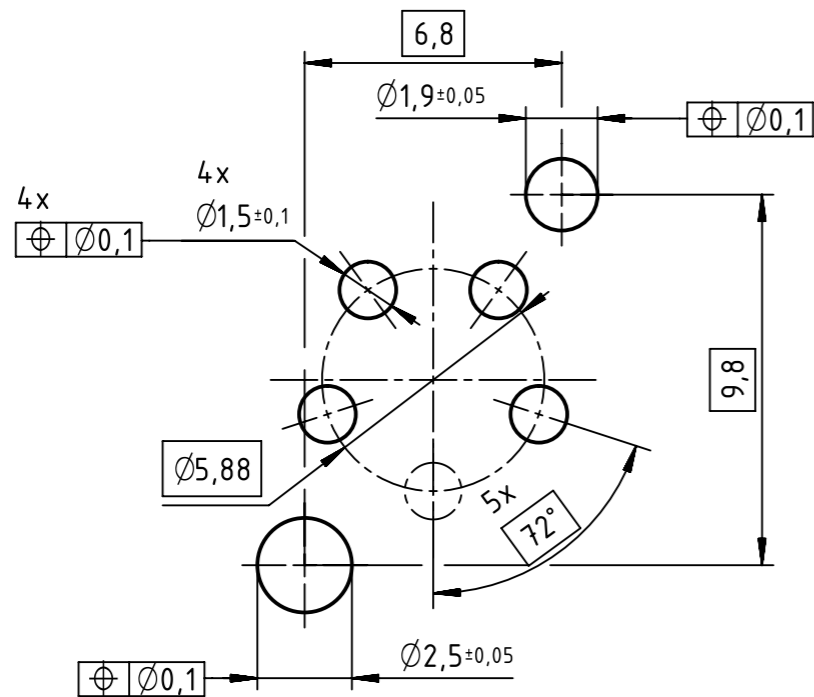


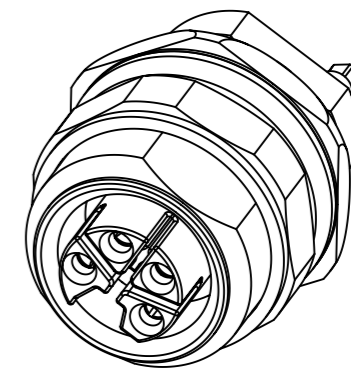
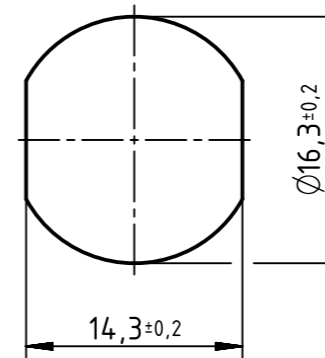
contact face based on IEC 61076-2-111



A (5:1)
recommended PCB-layout



panel cut out
(2:1)



	All rights reserved Department EL PD HARTING Electronics GmbH D-32339 Espelkamp	All Dimensions in mm Original Size DIN A3		Scale 2:1	Free size tol.	Ref. Sub.	
		Created by SERBANA	Inspected by DRAGHICI	Standardisation HOFFMANN	Date 2018-10-30	State Final Release	Doc-Key / ECM-Nr. 100756809/UGD/000/F 500000141541
		Title M12 Power PCB receptacle female L-coded w/o FE rear				Rev. F	Page 1/1
		Type TB	Number 21033962533				