

THIS DRAWING IS UNPUBLISHED.

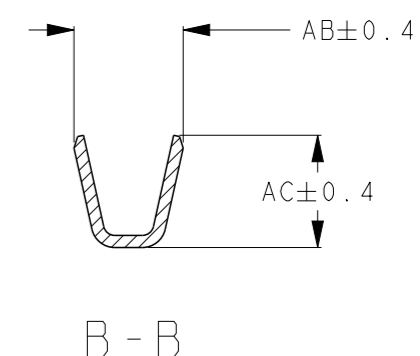
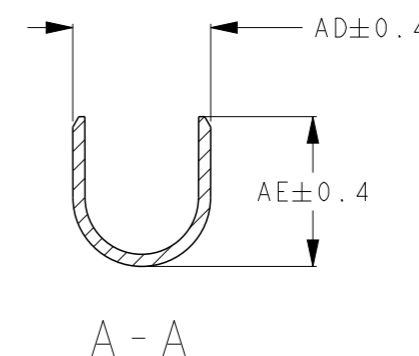
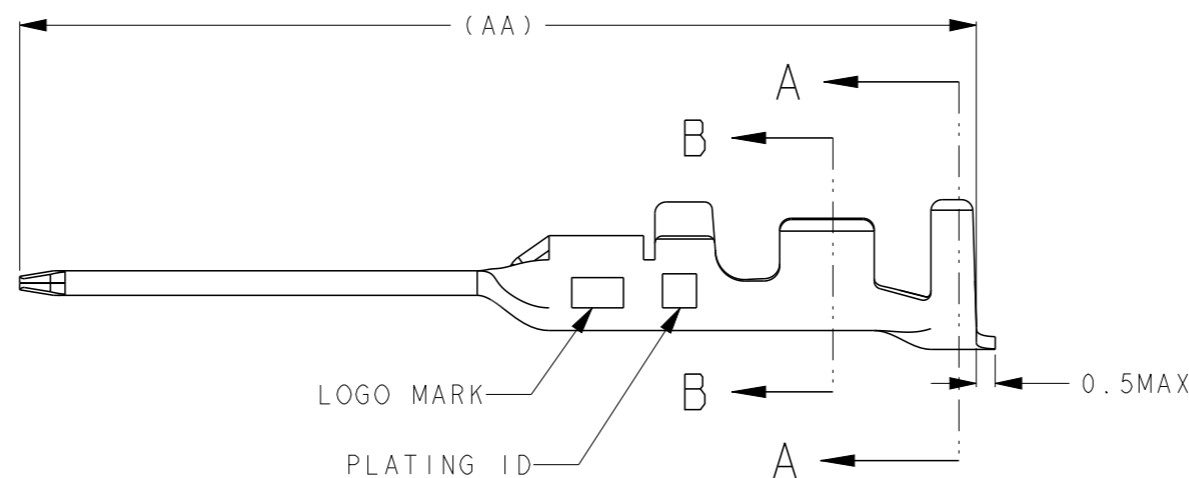
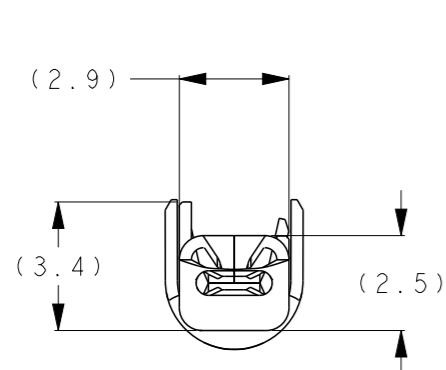
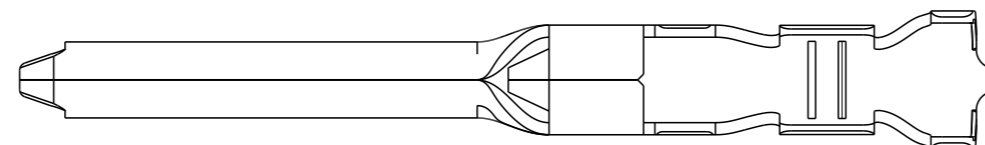
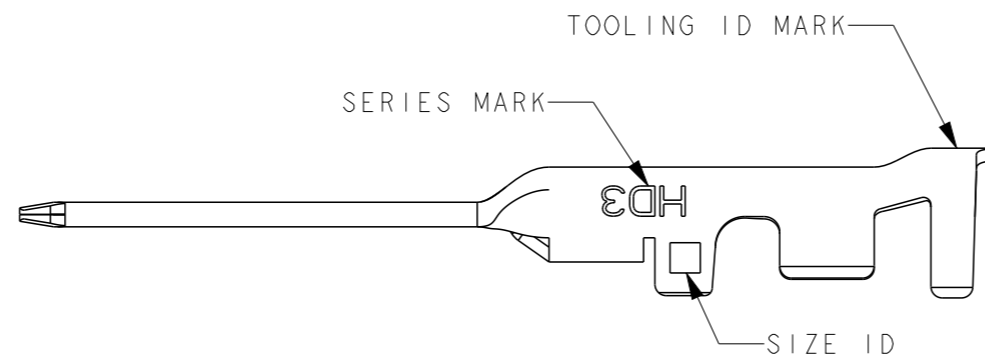
RELEASED FOR PUBLICATION

2017

© COPYRIGHT 2017 BY Tyco Electronics Japan G.K. ALL RIGHTS RESERVED.

REVISIONS

P	LTR	DESCRIPTION	DATE	DWN	APVD
	A	RELEASE	17NOV2017	TS	EI
	AI	REVISED PER ECR-18-010487	05JUL2018	RI	EI



3.9	4.8	3.09	3.2	25.8	3.1-3.8	3L	AWG16-14 1.25-2.2SQmm	2	AU 0.38umMIN	2316817-5
3.96	3.64	3.09	3.2	25.8	2.2-2.8	2L	AWG16-14 1.25-2.2SQmm	2	AU 0.38umMIN	2316817-4
3.96	3.64	2.9	2.9	25.3	1.8-2.8	L	AWG20-16 0.5-1.42SQmm	2	AU 0.38umMIN	2316817-3
3.64	3.6	2.15	2.3	25.3	1.2-2.6	M	AWG24-20 0.2-0.5SQmm	2	AU 0.38umMIN	2316817-2
2.5	2.6	1.81	1.8	25.3	0.8-1.4	S	AWG28-24 0.08-0.2SQmm	2	AU 0.38umMIN	2316817-1
AE	AD	AC	AB	AA	INSUL. RANGE	SIZE ID	WIRE RANGE	PLATING ID	CONTACT POINT PLATING	PART NUMBER

THIS DRAWING IS A CONTROLLED DOCUMENT.

DWN T. SHIMOYASU 17NOV2017  
 CHK E. IKEMATSU 17NOV2017  
 APVD E. IKEMATSU 17NOV2017

**STE** TE Connectivity

NAME CONTACT, LOOSE PIECE, TAB, HD3  
HDC DYNAMIC

PRODUCT SPEC 108-140158  
 APPLICATION SPEC 114-78024

MATERIAL COPPER ALLOY  
 FINISH AU OVER NI AT CONTACT AREA

WEIGHT -

SIZE A300779 CAGE CODE C-2316817 DRAWING NO 2316817

RESTRICTED TO -

CUSTOMER DRAWING SCALE 5:1 SHEET 1 OF 1 REV AI