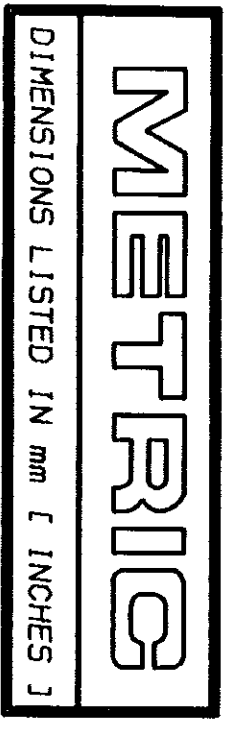
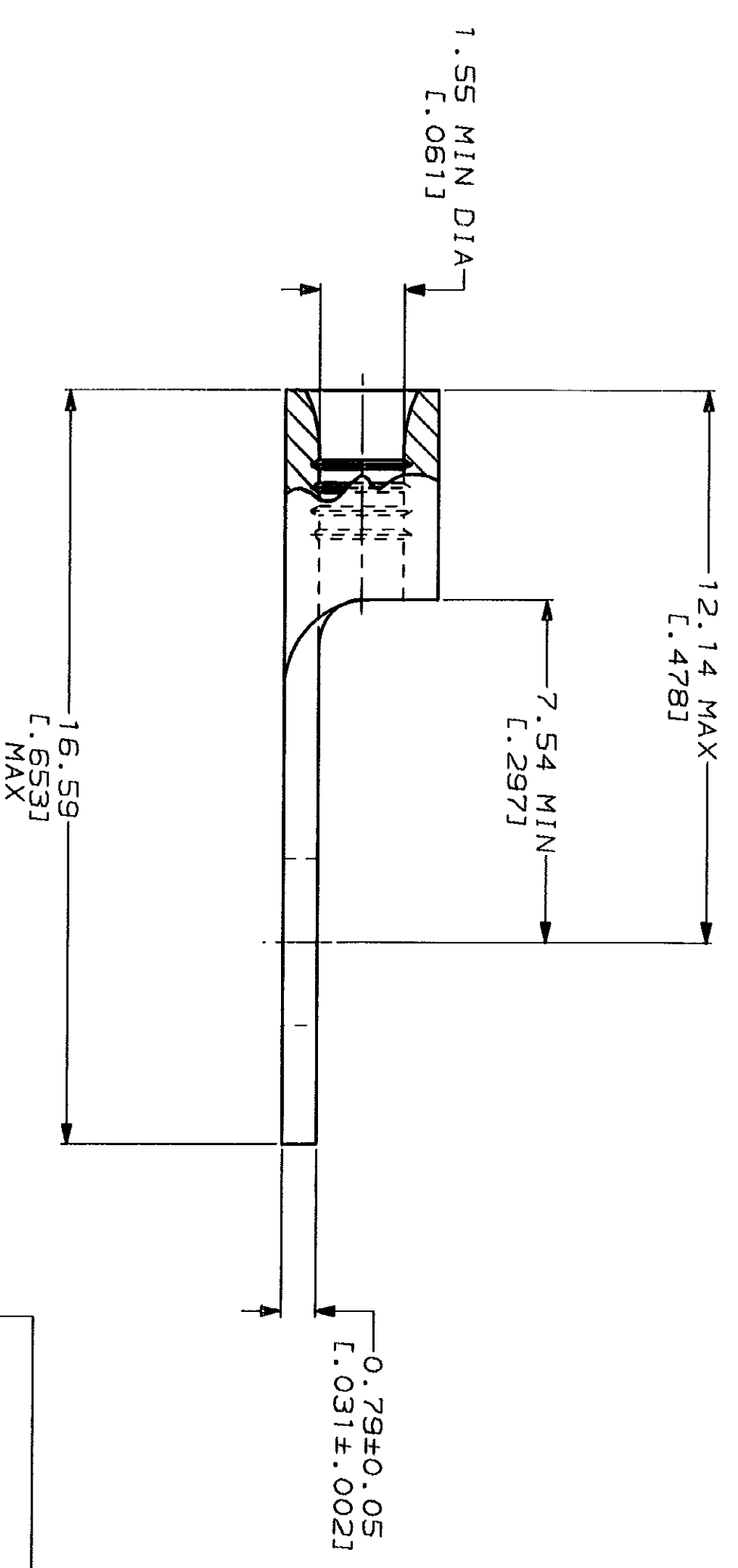
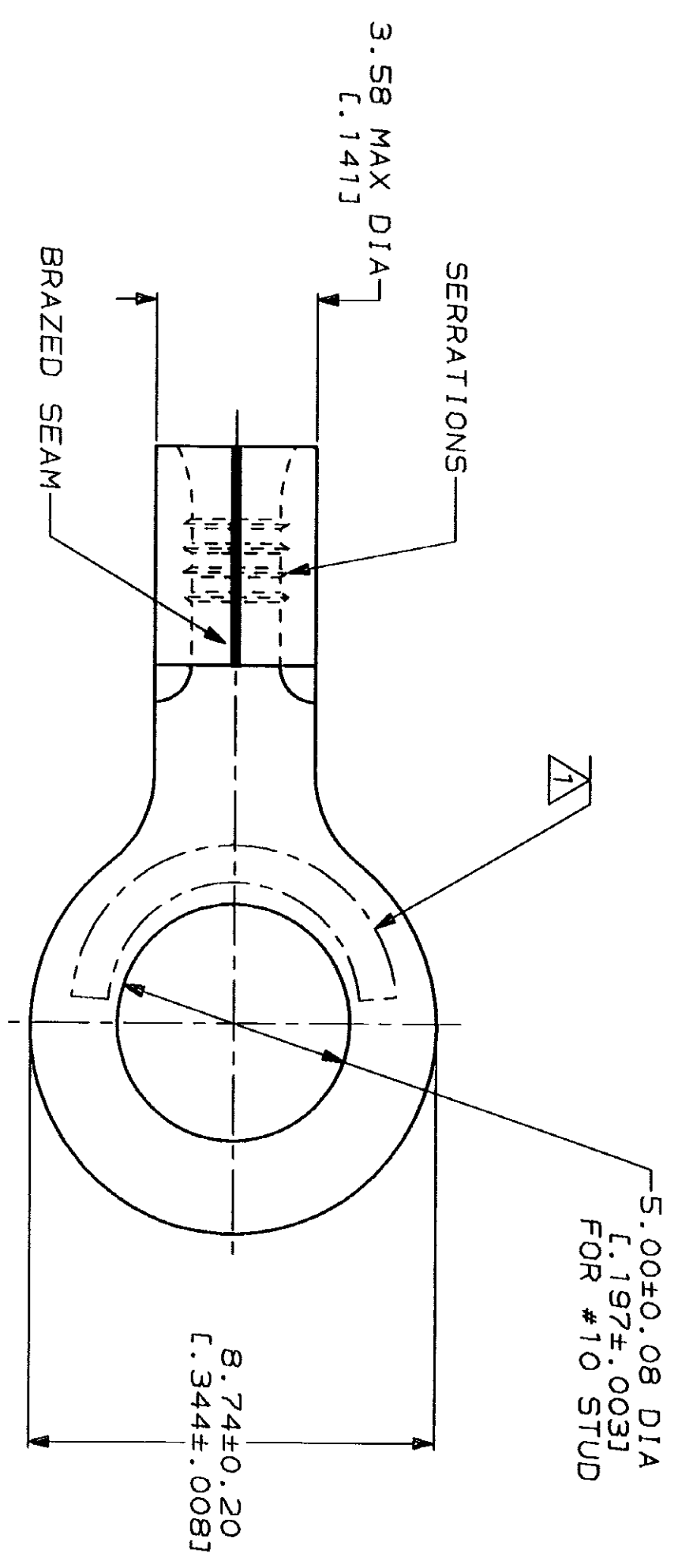


LOC	DIST	P	F	ZONE	LTR	REVISIONS	DESCRIPTION	DATE	APPD
G	14			B		REV. RDRW, 8 SM PKG PER 0720-0040-93		3-10-93	1 st DAP



AMP WIRE RANGE	UL E13288 Listed
22-16 AWG SOLID OR STRANDED	22-16 AWG SOLID OR STRANDED
LR7189 Certified	MILITARY P/N AND CLASS
22-16 AWG SOLID OR STRANDED	NOT APPLICABLE

STAMP AMP 22-18* APPROX AS SHOWN
 22-16 TERMINALS ARE STAMPED 22-18 IN
 ACCORDANCE WITH MILITARY SPECIFICATION
 MIL-T-7928, COMMERCIAL WIRE RANGE IS 22-16



**AMP INCORPORATED
 CUSTOMER SERVICE SYSTEMS**

FOR ADDITIONAL PRODUCT INFORMATION OR COPIES OF DRAWINGS AND TECHNICAL DOCUMENTS	PRODUCT INFORMATION CENTER 1-800-522-6752
FOR APPLICATION TOOLING INFORMATION	TOOLING ASSISTANCE CENTER 1-800-722-1111
FOR ORDER ENTRY	1-800-526-5142

MAX RECOMMENDED OPERATING
 TEMPERATURE: 170°C MAX

VOLTAGE RATING:
 NOT APPLICABLE

WIRE CROSS SECTIONAL AREA RANGE:
 0.26-1.65mm² (509-3,260) CIR MILS
 SOLID OR STRANDED

THIS DRAWING IS A CONTROLLED DOCUMENT FOR
 AMP INCORPORATED. IT IS SUBJECT TO CHANGE
 WITHOUT NOTICE. THE USER'S RESPONSIBILITY
 SHOULD BE CONSULTED FOR THE LATEST REVISION.

DO NOT SCALE PRINT.
 UNLESS SPECIFIED
 DIMENSIONS IN mm FINISHES
 TOLERANCES ON:
 1 DIMENSIONS IN mm
 2 PLC DEC ±
 3 PLC DEC ±
 ANGLES

MATERIAL
 COPPER PER
 ASTM B-152
 ANNEALED

FINISH
 TIN PLATE
 0.00254 [0.00100] MIN
 THK PER MIL-T-10727

DR 3-10-93 TA BRINKMAN
CHK 3-10-93 DA PATTERSON
APPD 3-10-93 DE MILLER
APPD 3-10-93 JL MECKLEY
PRODUCT SPEC
APPLICATION SPEC
WEIGHT

QUANTITY	PACKAGE TYPE	PART NO
100	LOOSE PIECE, BOX	8-323087-1
---	LOOSE PIECE	323087

AMP
 AMP Incorporated
 Harrisburg, PA 17105-3608

TERMINAL, RING
 TONGUE, SOLI STRAND™

SIZE	CAGE CODE	DRAWING NO
8:1	00779	323087
SCALE		SHEET
		1 OF 1