

Würth Elektronik eiSos GmbH & Co. KG

EMC & Inductive Solutions

Max-Eyth-Straße 1 · 74638 Waldenburg · Germany

Tel. +49 (0) 79 42 945-0 · Fax +49 (0) 79 42 945-400

eiSos@we-online.de · www.we-online.de



Product / Process Change Notification (PCN)

- Major change
 Minor change

PCN #: PCN_ConMJ_20190503
Affected Series: WR-ConMJ 63410x149621- 634108185321
PCN Date: February 01, 2019
Effective Date: May 03, 2019

Change Category:

- Equipment / Location
 General Data
 Material
 Process
 Product Design
 Shipping / Packaging
 Supplier

Contact: Product Management
Phone: +49 (0) 7942 - 945 5001
Fax: +49 (0) 7942 - 945 5179
E-Mail: pcn.eican@we-online.com

Data Sheet Change:

- Yes No

Attachment:

- Yes No

DESCRIPTION AND PURPOSE OF CHANGE:

To improve the pick and place processability, Würth Elektronik will change the Mylar design of P/N:
 634 108 149 621
 634 106 149 621
 634 104 149 621
 634 108 185 321

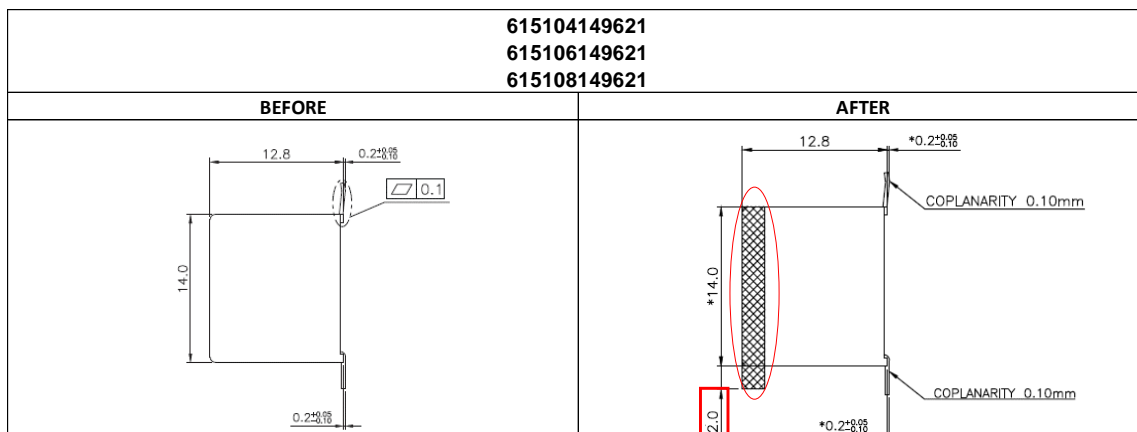
All products with date code 2019-01-14 or later, will be affected by this change.

There will be no change in fit, function, quality or reliability of the product.

DETAIL OF CHANGE:

The new Mylar design will include:

- 2mm Mylar overhang for easy peel off
- Folded design on the sides for sturdy pick & place performances
- 0.06mm Mylar thickness



Würth Elektronik eiSos GmbH & Co. KG

EMC & Inductive Solutions

Max-Eyth-Straße 1 · 74638 Waldenburg · Germany

Tel. +49 (0) 79 42 945-0 · Fax +49 (0) 79 42 945-400

eiSos@we-online.de · www.we-online.de

