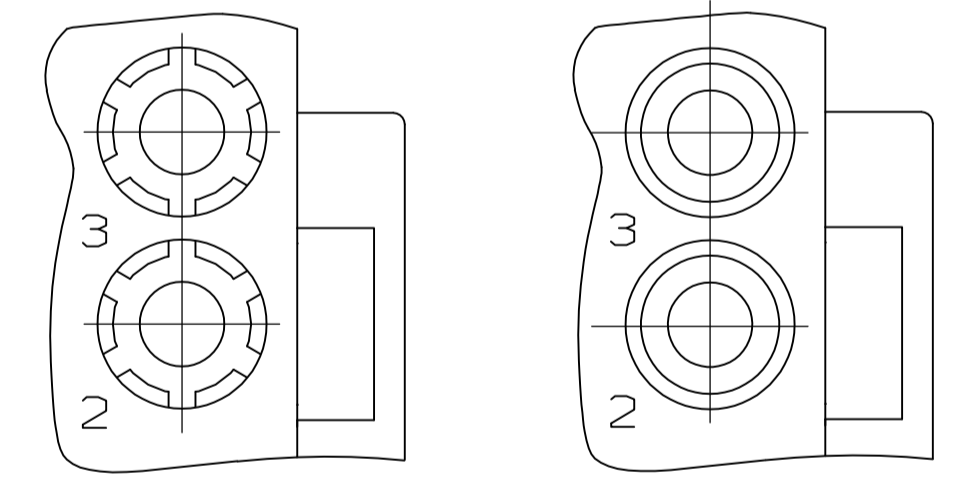
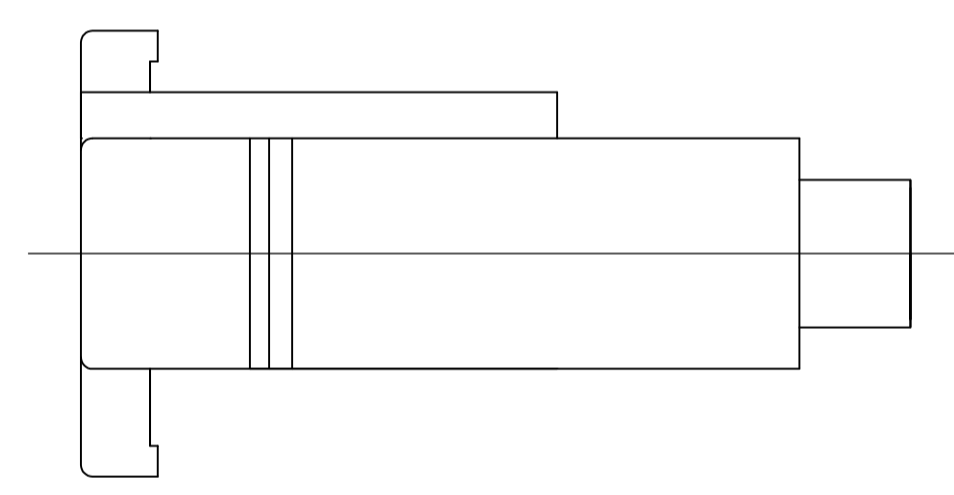
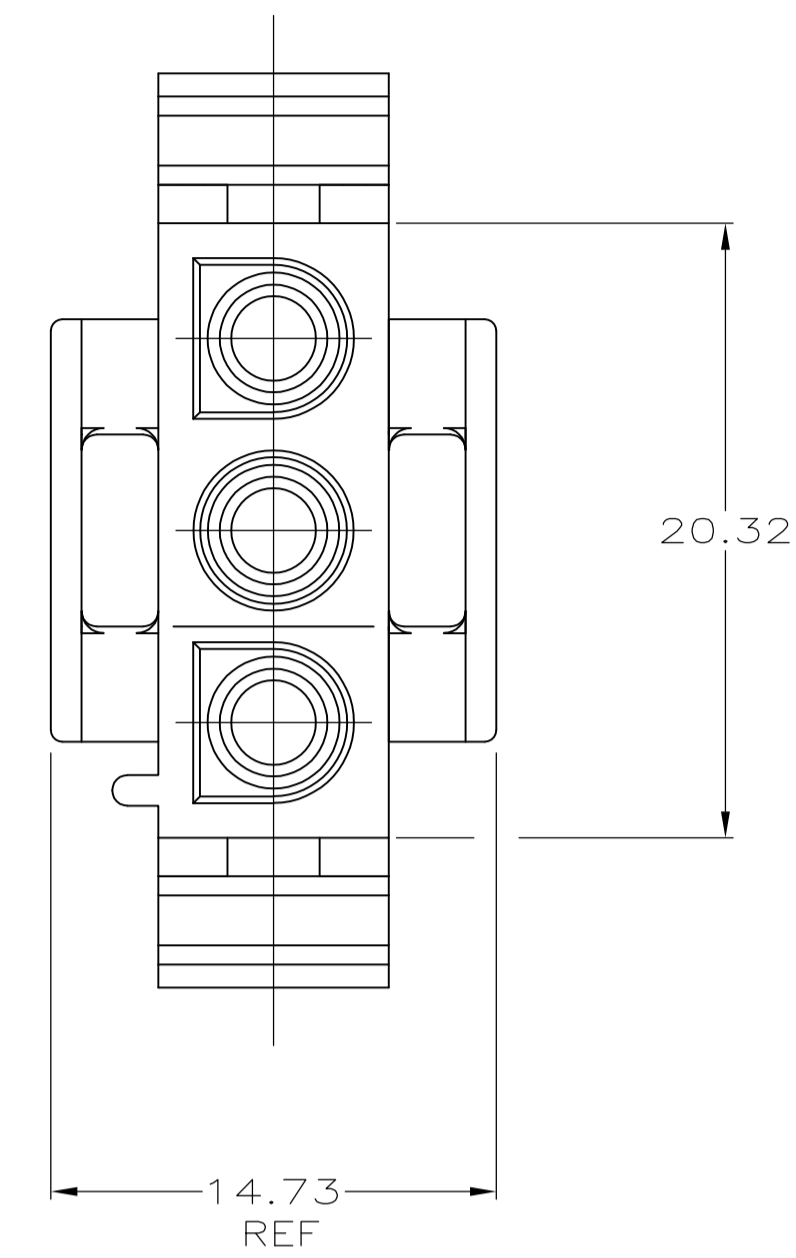
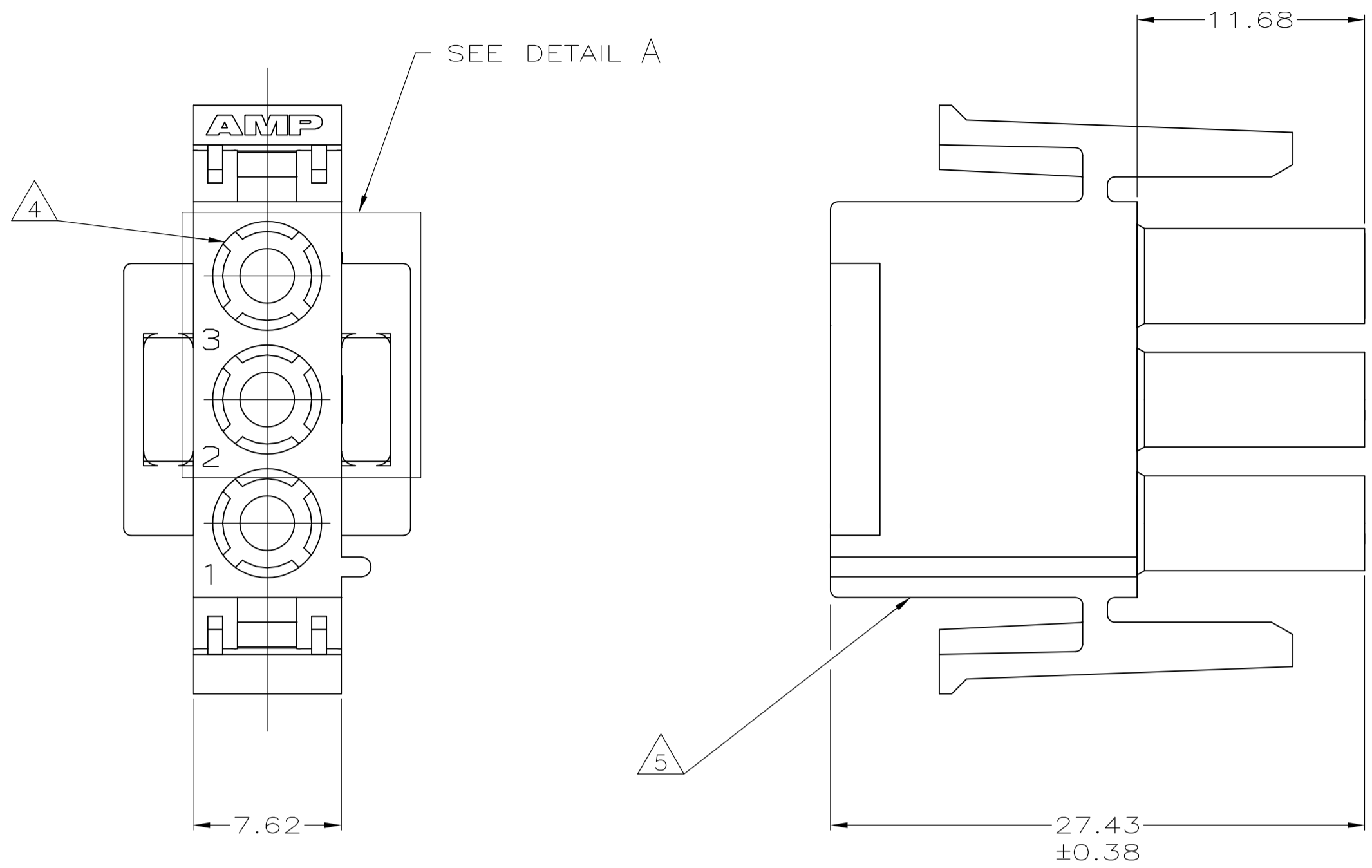


REVISIONS					
P	LTR	DESCRIPTION	DATE	DMN	APVD
A2		REVISED PER ECO-17-011927	23AUG2017	RS	KR

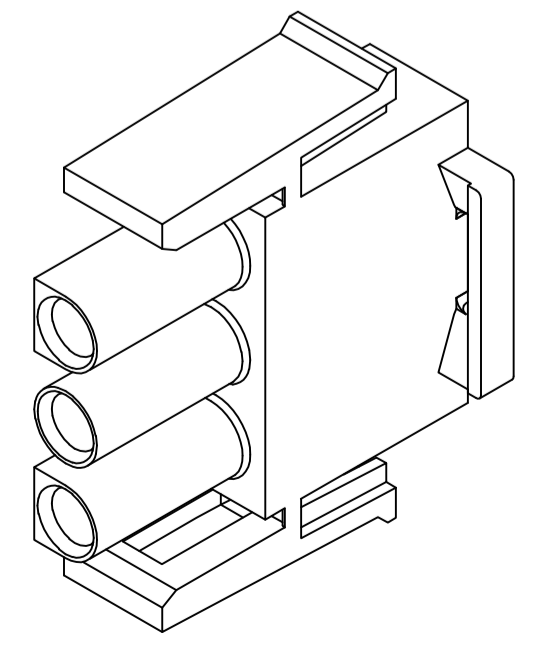


DETAIL A
OPTIONAL CONSTRUCTION

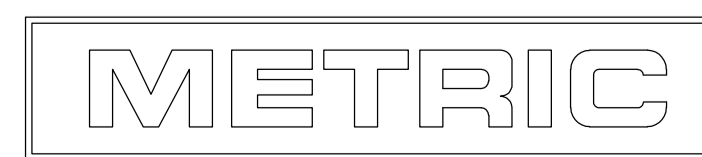
- 1 MATES WITH APPROPRIATE UNIVERSAL MATE-N-LOK™ CAP OR HEADER.
- 2 SMALL NICKS ARE PERMITTED ON THE CIRCUIT TOWERS WHICH COULD INCREASE THE INITIAL HOUSING MATING FORCE BY UP TO 4.4 NEWTONS [1.0 LBS]. NO INDIVIDUAL NICKED TOWER SHALL INCREASE THIS FORCE BY OVER 2.2 NEWTONS [.5 LBS].
- 3 DIMENSIONS SHOWN REPRESENT PRODUCT IN DRY, AS MOLDED CONDITION ADDITIONAL 2% GROWTH DUE TO SUBSEQUENT MOISTURE ABSORPTION MAY OCCUR AND SHOULD BE ACCOUNTED FOR.
- 4 FOUR RIBS EQUALLY SPACED, NO SPECIFIC ORIENTATION. NO RIBS OR SIX RIBS EQUALLY SPACED, NO SPECIFIC ORIENTATION, OPTIONAL.
- 5 UNDERWRITERS RECOGNIZED COMPONENT LOGO AND CSA CERTIFICATION LOGO TO BE LOCATED ONCE EACH ON SIDE OF HOUSING.
- 6 150° C TEMPERATURE RATING FOR THIS HOUSING IS FOR SHORT TERM DURATION. MAX OPERATING TEMPERATURE REMAINS 125° C.
- 7 PHOSPHOR BRONZE CONTACTS SHOULD ALWAYS BE USED WITH THIS HOUSING.

MM	IN
27.43	1.080
20.32	.800
14.73	.580
11.68	.460
7.62	.300
0.38	.015
0.13	.005

CONVERSION TABLE



3-DIMENSIONAL MODEL
NTS



THIS DRAWING IS A CONTROLLED DOCUMENT.		DWG: K. WHITAKER 15-MAY-2001	REVISED PER ECO-17-011927
DIMENSIONS: mm [INCHES]		CHK: S. RIDGILL 15-MAY-2001	APVD: S. RIDGILL 15-MAY-2001
TOLERANCES UNLESS OTHERWISE SPECIFIED:		NAME: PLUG, 3 CIRCUIT, UNIVERSAL MATE-N-LOK™	
0. PLC ± -	1. PLC ± -	PRODUCT SPEC	
2. PLC ± 0.13[.005]	3. PLC ± -	APPLICATION SPEC	
4. PLC ± -	ANGLES ± 0° 30'	SIZE: A1	
MATERIAL: NYLON, UL 94V-2, HIGH TEMP	FINISH: -	WEIGHT: 0.000000	DRAWING NO: 794901
CUSTOMER DRAWING		SCALE: 4:1	SHEET 1 OF 1 REV A2

BLACK	794901-1
COLOR	PART NUMBER



TE Connectivity