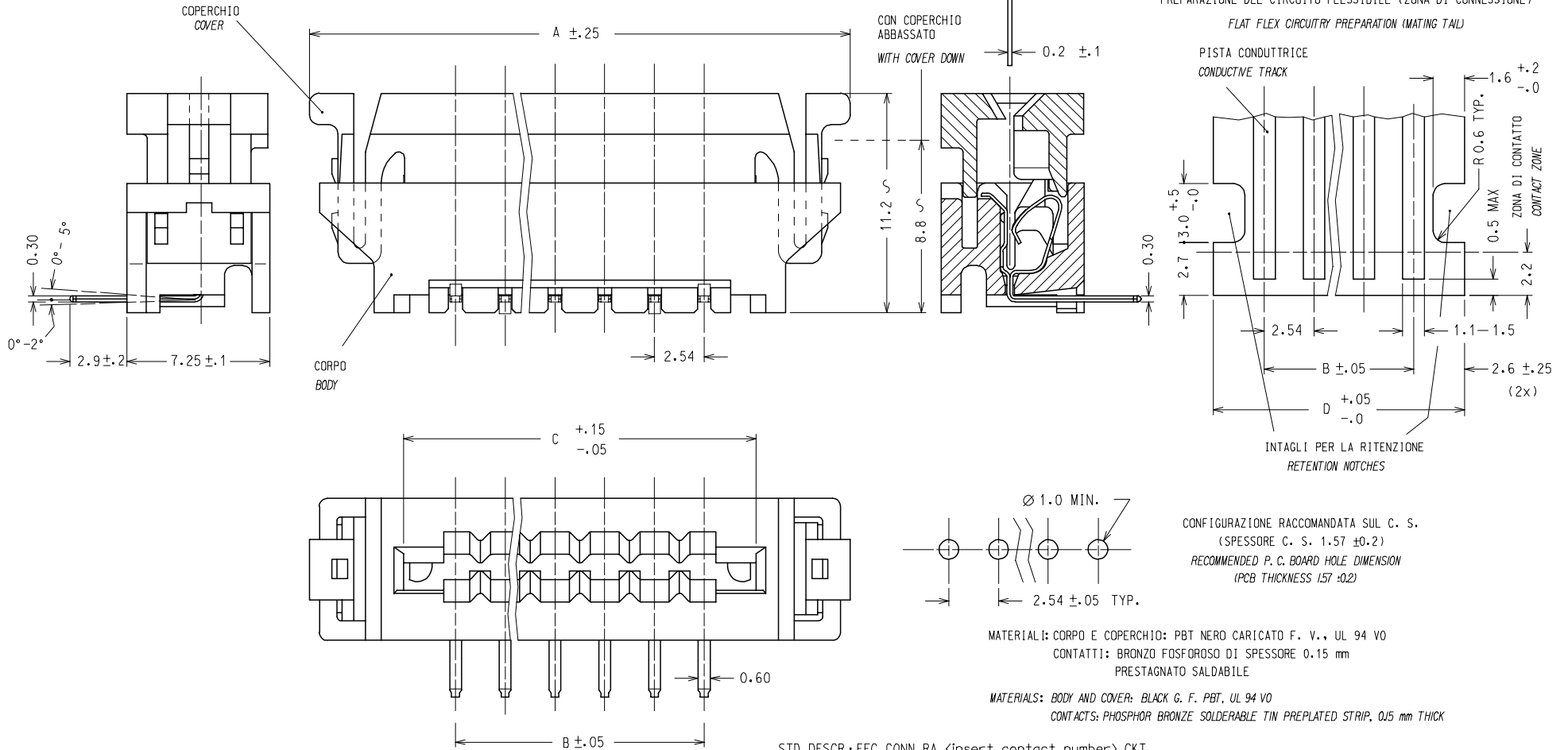


10 9 8 7 6 5 4 3 2 1

COPERCHIO ALZATO: I CONTATTI SONO APERTI PER UN AGEVOLE INSERIMENTO DEL CIRCUITO FLESSIBILE
 COVER UP: CONTACTS ARE OPEN FOR AN EASY INSERTION OF THE FLEX CIRCUITRY
 COPERCHIO ABBASSATO: I CONTATTI SONO PREMUTI CONTRO LE PISTE
 COVER DOWN: CONTACTS ARE CLOSED ON THE TRACKS

CIRCUITO FLESSIBILE (SPESSORE TIPICO)
 FLEX CIRCUITRY (TYPICAL THICKNESS)

PREPARAZIONE DEL CIRCUITO FLESSIBILE (ZONA DI CONNESSIONE)
 FLAT FLEX CIRCUITRY PREPARATION (MATING TAIL)



CONFIGURAZIONE RACCOMANDATA SUL C. S.
 (SPESSORE C. S. 1.57 ±0.2)
 RECOMMENDED P. C. BOARD HOLE DIMENSION
 (PCB THICKNESS 157 ±0.2)

MATERIALI: CORPO E COPERCHIO: PBT NERO CARICATO F. V., UL 94 VO
 CONTATTI: BRONZO FOSFOROSO DI SPESSORE 0.15 mm
 PRESTAGNATO SALDABILE

MATERIALS: BODY AND COVER: BLACK G. F. PBT, UL 94 VO
 CONTACTS: PHOSPHOR BRONZE SOLDERABLE TIN PREPLATED STRIP, 0.15 mm THICK

STD. DESCR.: FFC CONN RA <insert contact number> CKT

NOTE: 1) IL PRODOTTO VIENE FORNITO IN TUBI (VEDI FOGLIO 2/2)
 2) CARATTERISTICHE TECNICHE E FUNZIONALI COME DA PS 90500.
 3) LUNGHEZZA MINIMA DI ESPOSIZIONE DELLE PISTE

NOTE: 1) PRODUCT WILL BE SUPPLIED PACKAGED IN A TUBE (SEE SHEET 2/2)
 2) TECHNICAL CHARACTERISTICS AS INDICATED IN PS90500.
 3) MINIMUM EXPOSED LENGTH OF TRACKS

| | | |
|-------------------|-------------|------------|
| EC NO: Z2005-0177 | 2005/05/19 | 2005/05/20 |
| DRWN: SBARBIER | 2005/05/20 | 2005/05/20 |
| CHKD: RSANDANO | 2005/05/20 | 2005/05/20 |
| APPR: FBISSELLO | 2005/05/20 | 2005/05/20 |
| REV | DESCRIPTION | |
| C1 | | |

| | |
|-----------------|-----|
| QUALITY SYMBOLS | ▽=0 |
| | ▽=0 |

| | |
|--|--------------|
| GENERAL TOLERANCES (UNLESS SPECIFIED) | |
| | mm INCH |
| 4 PLACES | ± --- ± --- |
| 3 PLACES | ± --- ± --- |
| 2 PLACES | ± 0.05 ± --- |
| 1 PLACE | ± 0.10 ± --- |
| ANGULAR ± 2 ° | |
| DRAFT WHERE APPLICABLE MUST REMAIN WITHIN DIMENSIONS | |

| | | | | | | | |
|---|--|------------|--|-----------------------------------|--|------------------------|--|
| DIMENSION STYLE | | SCALE | | DESIGN UNITS | | FIRST ANGLE PROJECTION | |
| MM ONLY | | 5:1 | | METRIC | | | |
| DRAWN BY | | DATE | | TITLE | | | |
| SBARBIERI | | 1993/09/09 | | FFC CONNECTOR RIGHT ANGLE VERSION | | | |
| CHECKED BY | | DATE | | MOLEX INCORPORATED | | | |
| APPROVED BY | | DATE | | | | | |
| MPREVIATO | | 1993/09/09 | | DOCUMENT NO. | | SHEET NO. | |
| MATERIAL NO. | | SEE SHT 2 | | SD-90500-006 | | 1 OF 2 | |
| THIS DRAWING CONTAINS INFORMATION THAT IS PROPRIETARY TO MOLEX INCORPORATED AND SHOULD NOT BE USED WITHOUT WRITTEN PERMISSION | | | | | | | |

9 8 7 6 5 4 3 2 1

10 9 8 7 6 5 4 3 2 1

| N° . DI CODICE PART. NO. | ATTREZZAGGIO TOOLING | N° . VIE CCT NO. | DIM "A" | DIM "B" | DIM "C" | DIM "D" | N° . CONN./TUBO CONN. NO./TUBE | N° . CONN./SCATOLA CONN. NO./BOX (SPQ) |
|-----------------------------|------------------------------|---------------------|---------|---------|---------|---------|-----------------------------------|---|
| 90500-4002 | NON ATTREZZATO NOT TOOLED | 2 | | | | | | |
| 90500-4003 | " | 3 | | | | | | |
| 90500-4004 | ATTREZZATO TOOLED | 4 | 22.52 | 7.62 | 12.92 | 12.82 | 24 | 3456 |
| 90500-4005 | " | 5 | 25.06 | 10.16 | 15.46 | 15.36 | 21 | 3024 |
| 90500-4006 | " | 6 | 27.60 | 12.70 | 18.00 | 17.90 | 19 | 2736 |
| 90500-4007 | " | 7 | 30.14 | 15.24 | 20.54 | 20.44 | 17 | 2448 |
| 90500-4008 | " | 8 | 32.68 | 17.78 | 23.08 | 22.98 | 16 | 2304 |
| 90500-4009 | " | 9 | 35.22 | 20.32 | 25.62 | 25.52 | 15 | 2160 |
| 90500-4010 | " | 10 | 37.76 | 22.86 | 28.16 | 28.06 | 14 | 2016 |
| 90500-4011 | " | 11 | 40.30 | 25.40 | 30.70 | 30.60 | 13 | 1872 |
| 90500-4012 | " | 12 | 42.84 | 27.94 | 33.24 | 33.14 | 12 | 1728 |
| 90500-4013 | " | 13 | 45.38 | 30.48 | 35.78 | 35.68 | 11 | 1584 |
| 90500-4014 | " | 14 | 47.92 | 33.02 | 38.32 | 38.22 | 11 | 1584 |
| 90500-4015 | " | 15 | 50.46 | 35.56 | 40.86 | 40.76 | 10 | 1440 |
| 90500-4016 | " | 16 | 53.00 | 38.10 | 43.40 | 43.30 | 10 | 1440 |
| 90500-4017 | " | 17 | 55.54 | 40.64 | 45.94 | 45.84 | 9 | 1296 |
| 90500-4018 | " | 18 | 58.08 | 43.18 | 48.48 | 48.38 | 9 | 1296 |
| 90500-4019 | " | 19 | 60.62 | 45.72 | 51.02 | 50.92 | 8 | 1152 |
| 90500-4020 | " | 20 | 63.16 | 48.26 | 53.56 | 53.46 | 8 | 1152 |

| EC NO: Z2005-0177 DRWNS:SBARBIER 2005/05/19 CHKD:RSANDANO 2005/05/20 APPR:FBISELLO 2005/05/20 REV DESCRIPTION | QUALITY SYMBOLS | GENERAL TOLERANCES (UNLESS SPECIFIED) | DIMENSION STYLE MM ONLY | SCALE 5:1 | DESIGN UNITS METRIC | FIRST ANGLE PROJECTION | | | | | | | | | | | | | | | |
|---|-----------------------------------|---|----------------------------|--------------|------------------------|------------------------|-------|-------|----------|-------|-------|----------|--------|-------|---------|--------|-------|---|--|---|---------------------|
| | $\nabla=0$ $\sphericalangle=0$ | <table border="1"> <tr><th></th><th>mm</th><th>INCH</th></tr> <tr><td>4 PLACES</td><td>± ---</td><td>± ---</td></tr> <tr><td>3 PLACES</td><td>± ---</td><td>± ---</td></tr> <tr><td>2 PLACES</td><td>± 0.05</td><td>± ---</td></tr> <tr><td>1 PLACE</td><td>± 0.10</td><td>± ---</td></tr> </table> ANGULAR ± 2 ° | | mm | INCH | 4 PLACES | ± --- | ± --- | 3 PLACES | ± --- | ± --- | 2 PLACES | ± 0.05 | ± --- | 1 PLACE | ± 0.10 | ± --- | DRAWN BY SBARBIER I DATE 1993/09/09 CHECKED BY DATE APPROVED BY MPREVIATO DATE 1993/09/09 MATERIAL NO. | TITLE FFC CONNECTOR RIGHT ANGLE VERSION | MOLEX INCORPORATED DOCUMENT NO. SD-90500-006 | SHEET NO. 2 OF 2 |
| | | mm | INCH | | | | | | | | | | | | | | | | | | |
| | 4 PLACES | ± --- | ± --- | | | | | | | | | | | | | | | | | | |
| 3 PLACES | ± --- | ± --- | | | | | | | | | | | | | | | | | | | |
| 2 PLACES | ± 0.05 | ± --- | | | | | | | | | | | | | | | | | | | |
| 1 PLACE | ± 0.10 | ± --- | | | | | | | | | | | | | | | | | | | |
| DRAFT WHERE APPLICABLE MUST REMAIN WITHIN DIMENSIONS | SEE TABLE | THIS DRAWING CONTAINS INFORMATION THAT IS PROPRIETARY TO MOLEX INCORPORATED AND SHOULD NOT BE USED WITHOUT WRITTEN PERMISSION | | | | | | | | | | | | | | | | | | | |
| C1 | | | | | | | | | | | | | | | | | | | | | |

9 8 7 6 5 4 3 2 1