



ANATECH ELECTRONICS INC
RF & Microwave Filters & Products

31.5 MHz LC Band Pass Filter

Part Number: AE31.5B6357



Electrical Specifications

Center Frequency: 31.5 MHz

1.0dB Passband: 3-66 MHz

Insertion Loss: 1.0dB Max.

Return Loss: 10dB Min.

Rejection: $\geq 40\text{dB}$ @ 0-1 MHz

Rejection2: $\geq 40\text{dB}$ @ 85-300 MHz

Mechanical

Mounting Method: Tapped Holes

Connector Type: SMA(F)

Dimensions: 2.38" X 1.0" x 1.0" .

Environmental

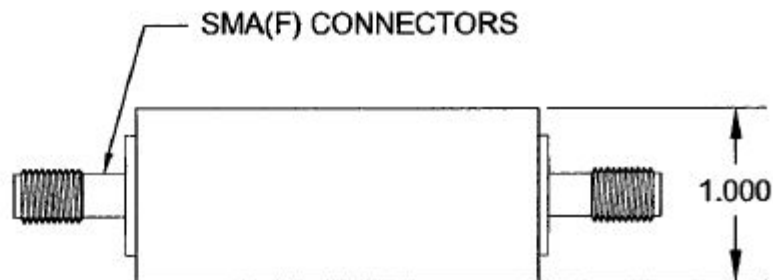
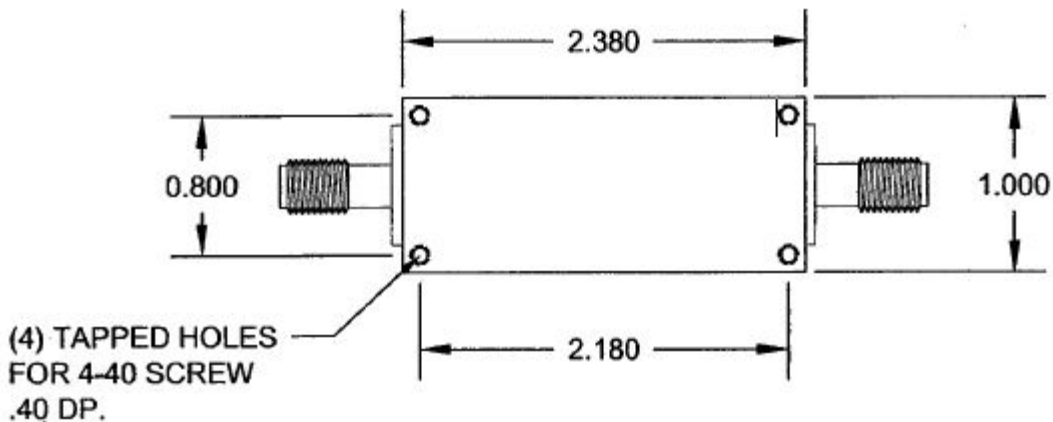
Operating Temperature: -25°C to +70°C

Storage Temperature: -40°C to +90°C

Shock: 10 G. 11ms

Vibration: 10 G. 5 to 200Hz

Outline Drawing:





ANATECH ELECTRONICS INC
RF & Microwave Filters & Products

31.5 MHz LC Band Pass Filter

Part Number: AE31.5B6357



Response Plot:

