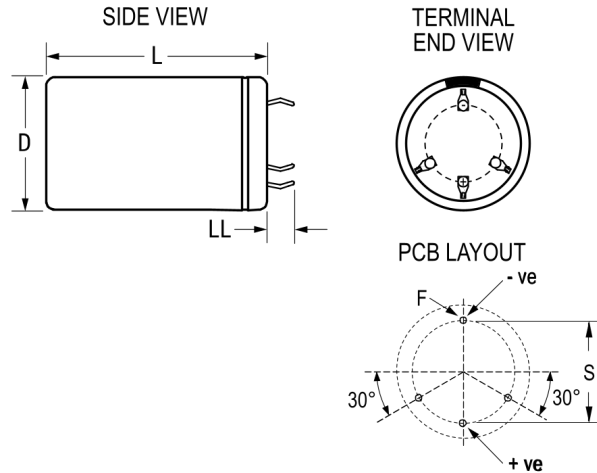


ALC70C122EH400

Aliases (A546HK122M400C)

ALC70, Aluminum Electrolytic, 1,200 uF, 20%, 400 VDC, -40/+85°C



Click [here](#) for the 3D model.

Dimensions

| | |
|----|-----------------|
| D | 40mm +1mm |
| L | 60mm +/-2mm |
| S | 22.5mm +/-0.1mm |
| LL | 6.3mm +/-1mm |
| F | 2mm +/-0.1mm |

Packaging Specifications

| | |
|-----------|-----------|
| Sleeving | Yes |
| Packaging | Bulk, Bag |

General Information

| | |
|------------------|--------------------------------------|
| Series | ALC70 |
| Dielectric | Aluminum Electrolytic |
| Description | Snap-In, Aluminum Electrolytic |
| RoHS | Yes |
| Lead | 4 Pin |
| AEC-Q200 | No |
| Halogen Free | Yes |
| Component Weight | 125 g |
| Notes | Dimensions D And L Include Sleeving. |
| Shelf Life | 156 Weeks |

Specifications

| | |
|-----------------------|---|
| Capacitance | 1,200 uF |
| Capacitance Tolerance | 20% |
| Voltage DC | 400 VDC, 440 VDC (Surge) |
| Temperature Range | -40/+85°C |
| Rated Temperature | 85°C |
| Life | 18000 Hrs (Rated Voltage and Ripple Current at 85C), 29000 Hrs (Rated Voltage at 85C) |
| Resistance | 122.1 mOhms (100Hz 20C), 66.63 mOhms (10kHz 20C) |
| Ripple Current | 4.353 Amps (100Hz 85C), 8.971 Amps (10kHz 85C) |
| Leakage Current | 2880 uA (5min 20°C) |