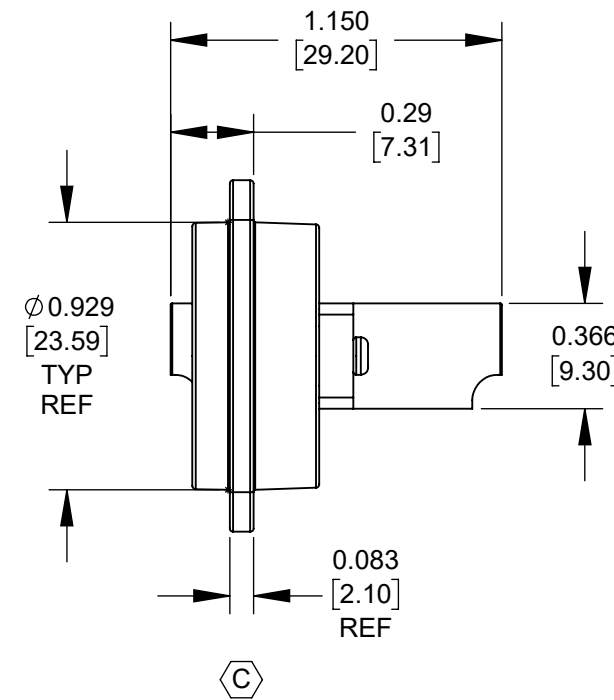
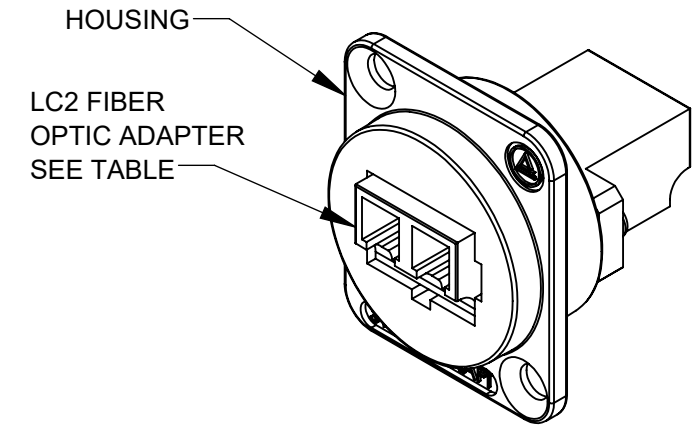
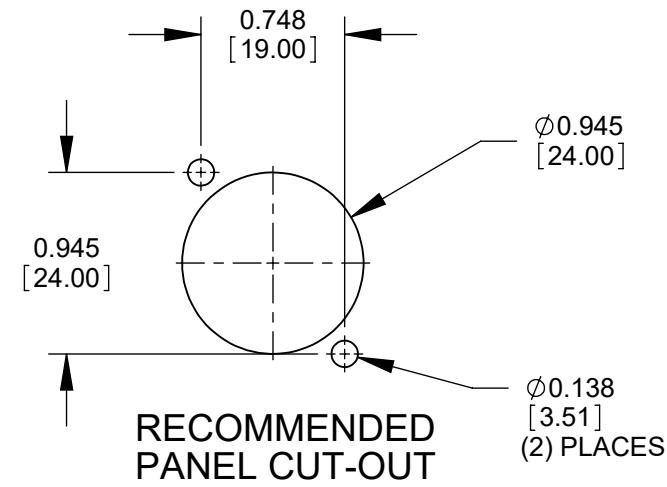
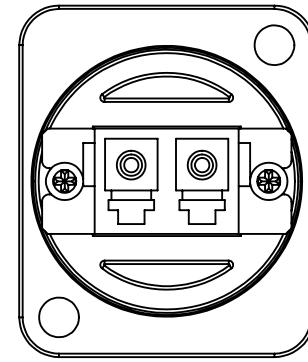
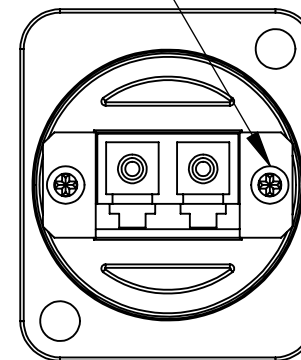


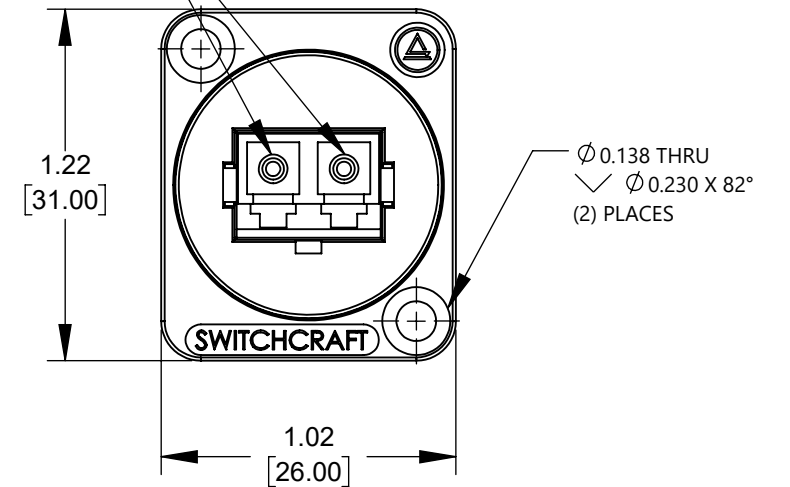
ALTERNATIVE DESIGN



ADAPTER MOUNTING SCREWS (2) PLACES



SLEEVES SEE NOTE 4



PART NUMBER	LC2 ADAPTER	ADAPTER COLOR
EHLC2	SINGLE-MODE	BLUE
EHLC2M	MULTI-MODE	BEIGE

NOTES:

- INSERTION LOSS: 0.75 dB MAX.
- OPERATION TEMP: -20°C TO +70°C.
- PRODUCT COMES WITH DUST CAPS. (NOT SHOWN)
- MATERIALS:
SLEEVE:
SINGLE-MODE - CERAMIC (ZIRCONIA)
MULTI-MODE - PHOSPHORUS BRONZE
HOUSING - DELRIN, BLACK
ADAPTER - THERMOPLASTIC
SCREWS - STEEL, NICKEL PLATED
ADAPTER MOUNTING CLIPS - STAINLESS STEEL
- FOR MOUNTING SCREWS TO BE SHIPPED WITH ASSEMBLY AND INDIVIDUALING PACKAGING, ADD SUFFIX -PKG TO PART NUMBER.
- WHEN MOUNTING ASSEMBLY, USE A SCREW TORQUE OF 10 INCH-POUNDS MAXIMUM.
- THIS PRODUCT IS RoHS COMPLIANT.

CUSTOMER DRAWING

REV	ECO NUMBER	DATE	BY	APVD
C	PRELIMINARY	5/10/22	CC	-
B	27239	1/3/14	TO	TJK
A	26348	2/27/09	RS	TJK

UNLESS OTHERWISE SPECIFIED
1. ALL DIMENSIONS IN INCHES
- TWO PLACE DECIMALS ±0.02
- THREE PLACE DECIMALS ±0.005

DO NOT SCALE DRAWING

THIS DRAWING DESCRIBES A DESIGN CONSIDERED PROPRIETARY IN NATURE, DEVELOPED AND MANUFACTURED BY SWITCHCRAFT INC. AND IS RELEASED ON A CONFIDENTIAL BASIS FOR IDENTIFICATION PURPOSES ONLY.									
SIZE *	WIDTH *	MULT *	LBS/M *	TEMPER *					
FINISH *					MATERIAL *				
SPEC No. *					SPEC No. *				
FIRST USED ON *			SCALE 1.5:1						
DATE DRAWN	BY	CHKD	APVD						
11/07/07	JGK	RS	TJK	5/21/09	7/16/09	SHEET 1 OF 1			
NAME E SERIES LC TO LC FIBER OPTIC ADAPTER, RoHS					PART No. EHC2 SERIES			REV C	