

# Customer Information Sheet

DRAWING No.: M20-787XXXXR

SHEET 3 OF 4

IF IN DOUBT - ASK

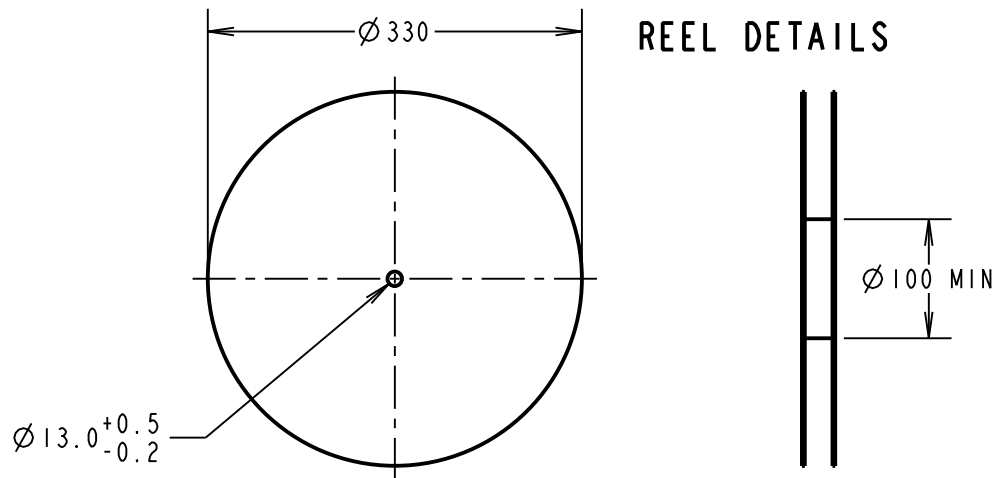
©

NOT TO SCALE

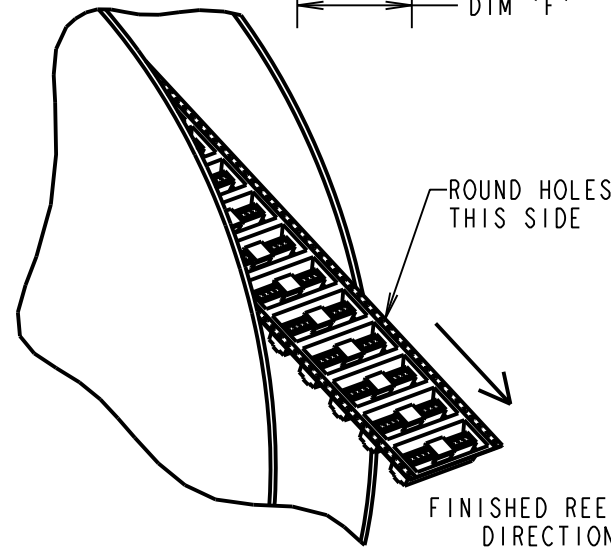
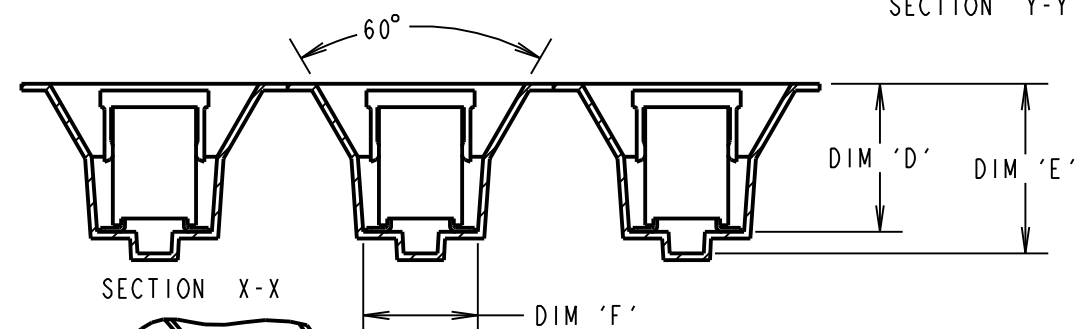
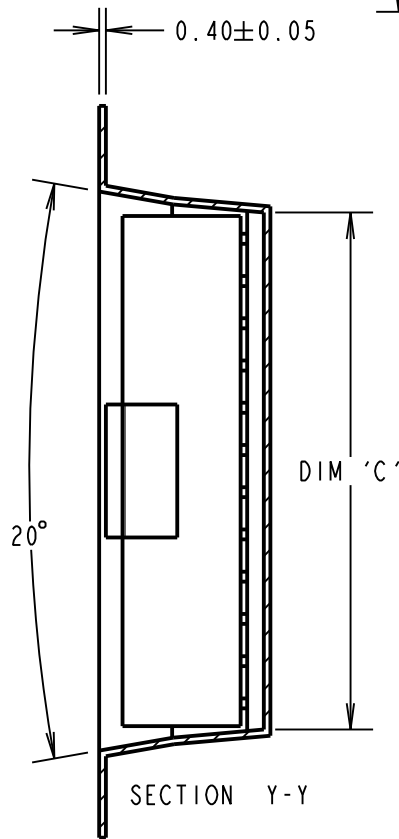
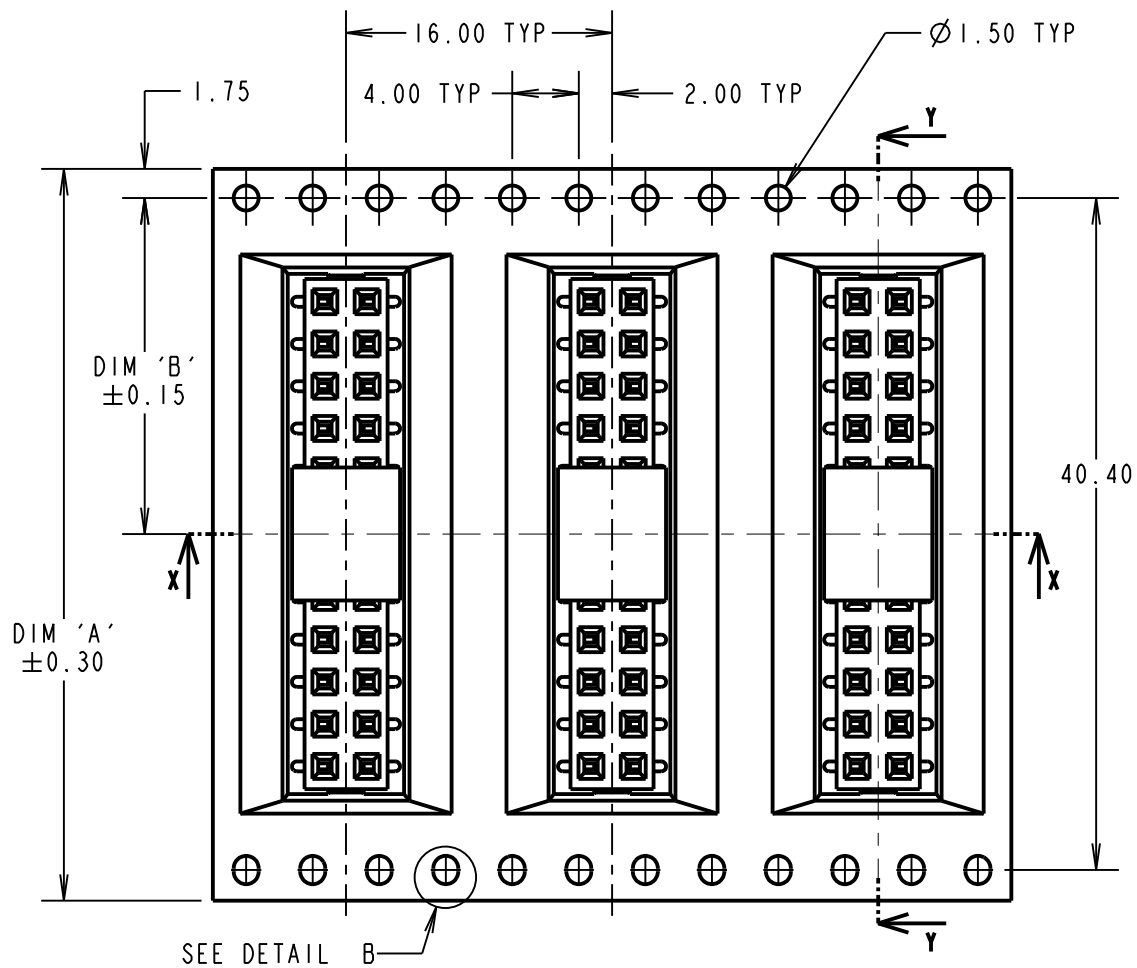
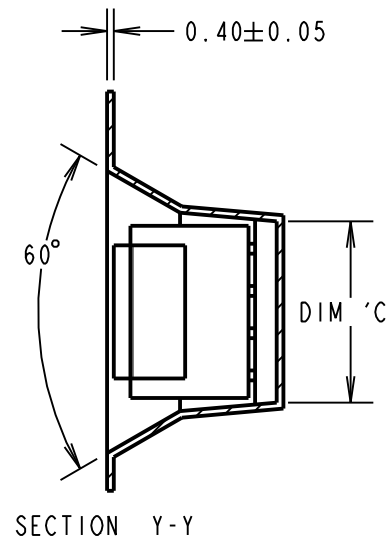
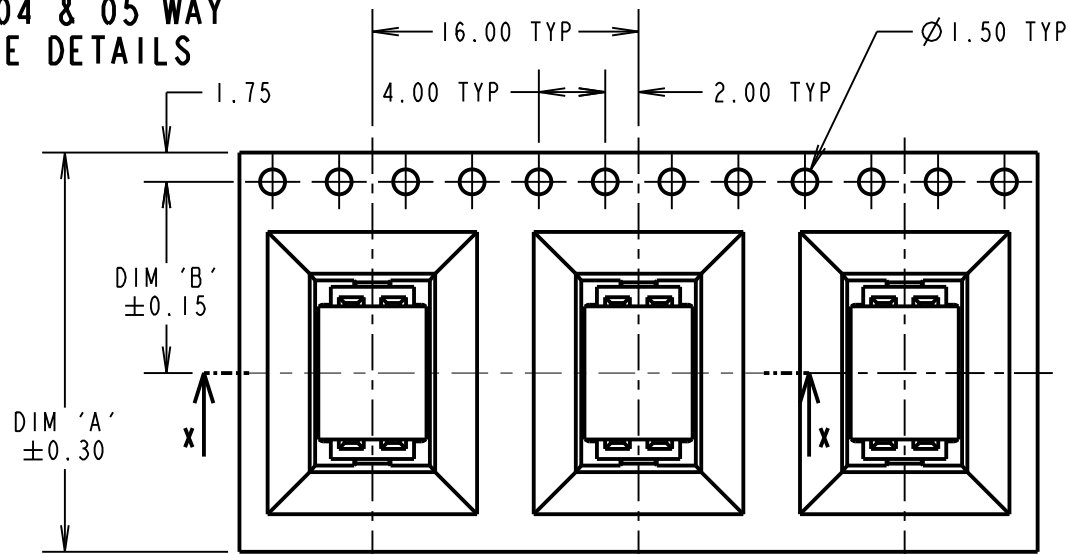
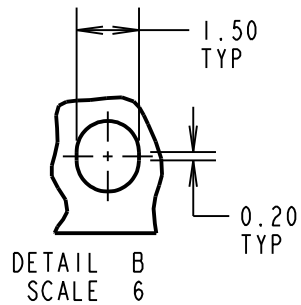
THIRD ANGLE PROJECTION

ALL DIMENSIONS IN mm

## REEL DETAILS



## 02, 04 & 05 WAY TAPE DETAILS



ORDER CODE:

**M20-787XXXXR**

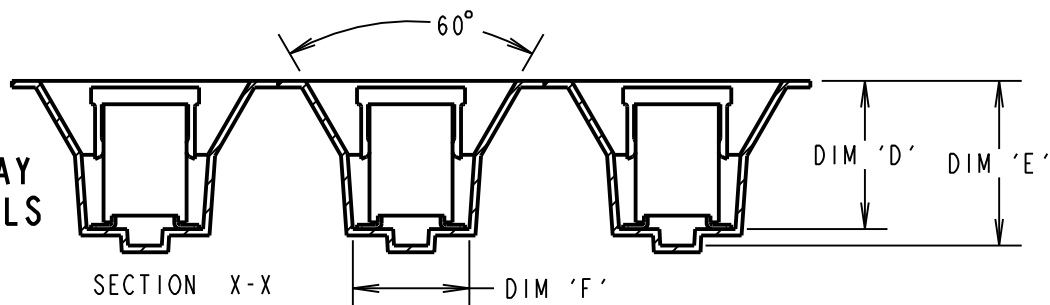
No. OF CONTACTS PER ROW:  
**02, 04, 05, 12**

FINISH:  
42 = 100% TIN WITH GOLD FLASH ON CONTACT  
46 = 100% TIN ALL OVER

**OBSOLETE**

No. of contacts per row = 08

## 08 & 12 WAY TAPE DETAILS



- NOTES:
- FOR CONNECTOR DIMENSIONS, SEE SHEET 4.
  - QUANTITY OF COMPONENTS PER REEL = 400.
  - PRODUCT IS TAPE AND REELED IN GENERAL ACCORDANCE WITH EIA-481 (ELECTRONIC INDUSTRIES ASSOCIATION).
  - M20-78705XXXR HAS FLAT BOTTOM TAPE POCKET.
  - FOR CONNECTOR DETAILS & SPECIFICATIONS, SEE SHEET 4.

PART NO.	DIM 'A'	DIM 'B'	DIM 'C'	DIM 'D'	DIM 'E'	DIM 'F'
<b>M20-7870246R</b>	16.00	7.50	5.70	9.00	9.80	8.40
<b>M20-7870442R</b>	24.00	11.50	10.90	8.90	10.20	6.90
<b>M20-7870546R</b>			13.15	9.00	SEE NOTE 4	6.70
<del>M20-78708XXXR</del>	44.00	20.20	<del>20.80</del>	<del>8.85</del>	<del>9.95</del>	<del>7.12</del>
<b>M20-7871242R</b>			31.10	8.90	9.90	7.00

SB	ISS.	DATE	C/NOTE
9		03.11.17	20901
APPROVED: S.BENNETT			
CHECKED: M.PLESTED			
DRAWN: R.ADDE			
CUSTOMER REF.:			
ASSEMBLY DRG:			

**HARWIN**

www.harwin.com  
technical@harwin.com

THIS DRAWING AND ANY INFORMATION OR DESCRIPTIVE MATTER SET OUT HEREON ARE CONFIDENTIAL AND COPYRIGHT PROPERTY OF THE HARWIN GROUP AND MUST NOT BE DISCLOSED, LOANED, COPIED OR USED FOR MANUFACTURING, TENDERING OR FOR ANY OTHER PURPOSE WITHOUT THEIR WRITTEN PERMISSION.

### TOLERANCES

X. = ±1mm  
X.X = ±0.50mm  
X.XX = ±0.10mm  
X.XXX = ±0.01mm  
ANGLES = ±5°  
UNLESS STATED

### MATERIAL:

SEE SHEET 1

FINISH: SEE SHEET 1

S/AREA: mm<sup>2</sup>

TITLE: 2.54mm PITCH DIL VERTICAL SKT ASSY DUAL ENTRY (PICK & PLACE, TAPE & REEL)

DRAWING NUMBER:

**M20-787XXXXR**

SHT 3 OF 4

# Customer Information Sheet

DRAWING No.: M20-787XXXXR

SHEET 4 OF 4

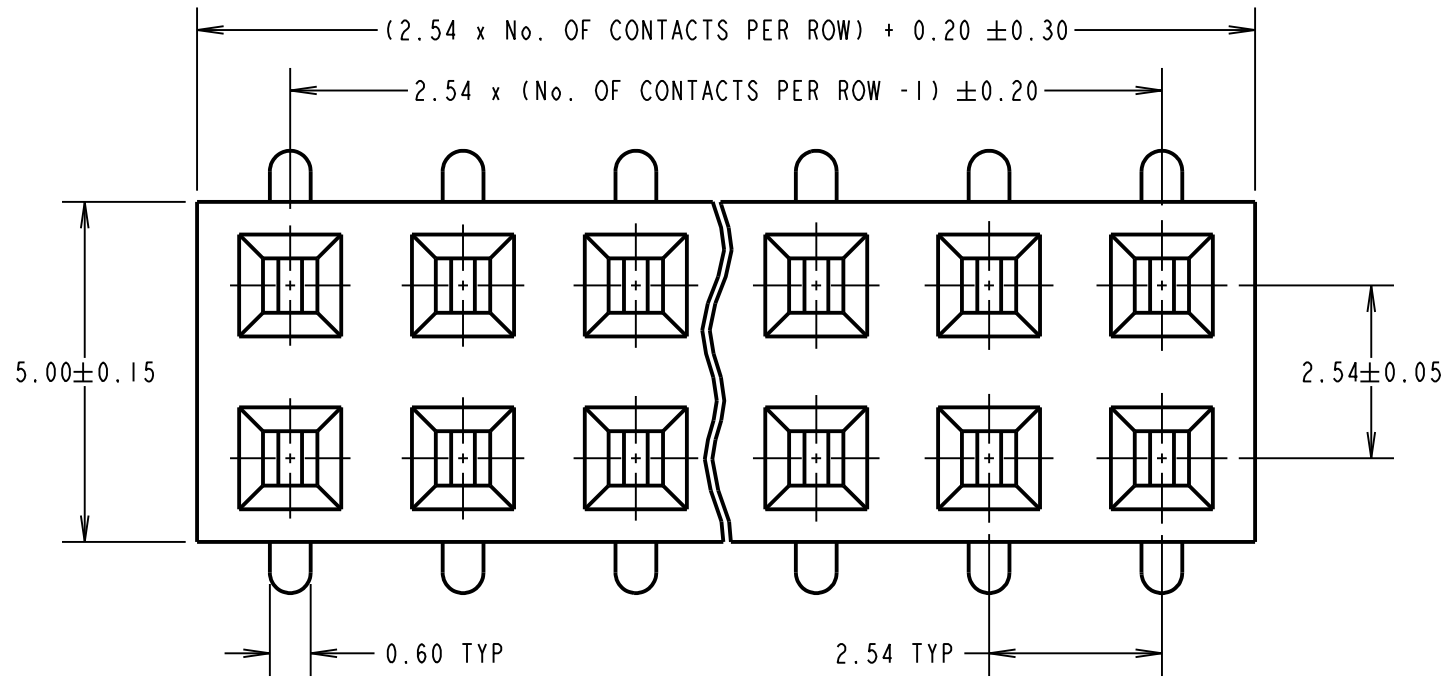
IF IN DOUBT - ASK

©

NOT TO SCALE

THIRD ANGLE PROJECTION

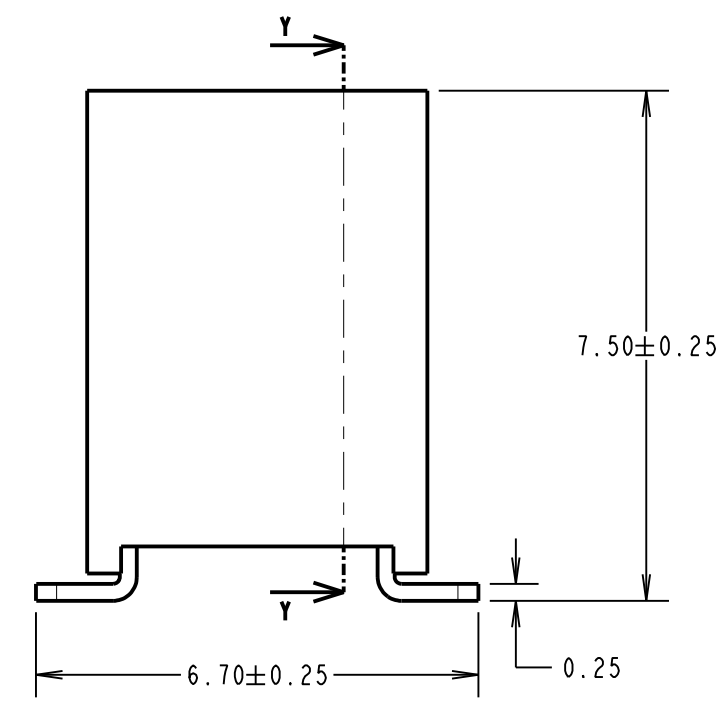
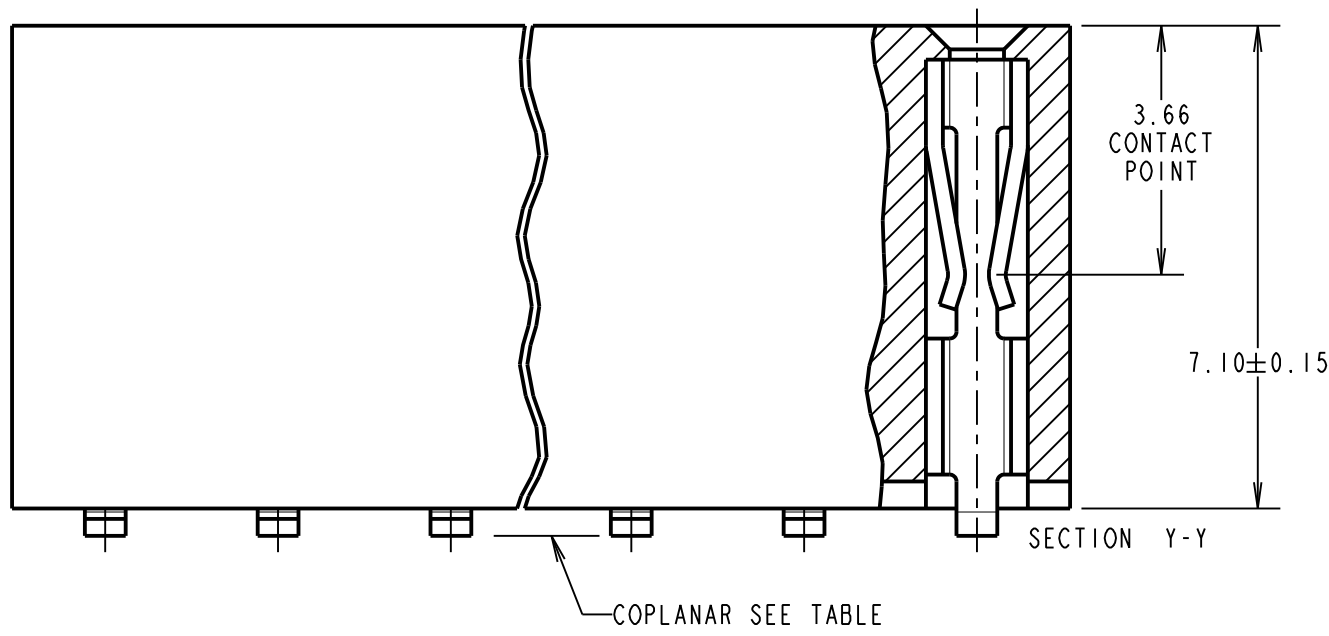
ALL DIMENSIONS IN mm



ORDER CODE:  
**M20-787XXXXR**  
 No. OF CONTACTS PER ROW:           
**02, 04, 05, 12**  
 FINISH:           
 42 = 100% TIN WITH GOLD FLASH ON CONTACT  
 46 = 100% TIN ALL OVER

**OBSOLETE**  
 No. of contacts per row = 08

No OF CONTACTS	COPLANARITY TOLERANCE
2 x 02 TO 2 x 08	0.12mm MAX
2 x 12	0.15mm MAX



**SPECIFICATION:**  
**MATERIAL:**  
 MOULDING = NYLON 6T UL94V-0, BLACK  
 CONTACTS = PHOSPHOR BRONZE  
**FINISH (OVER NICKEL):**  
 42 = GOLD ON CONTACT AREA, 100% TIN ON TAILS  
 46 = 100% TIN ALL OVER  
**ELECTRICAL:**  
 CURRENT RATING = 3A  
 DIELECTRIC WITHSTANDING VOLTAGE = 800V AC FOR 1 MINUTE  
 CONTACT RESISTANCE = 20mΩ MAX  
 INSULATION RESISTANCE = 1,000MΩ MIN  
**MECHANICAL:**  
 DURABILITY = 300 CYCLES MIN  
 INSERTION FORCE = 2.0N MAX  
 WITHDRAWAL FORCE = 0.3N MIN  
**ENVIRONMENTAL:**  
 TEMPERATURE RANGE = -40°C TO +105°C  
**PACKING:**  
 REEL  
 FOR COMPLETE SPECIFICATION SEE COMPONENT SPECIFICATION COOIXX (LATEST ISSUE).

- NOTES:**  
 1. FOR TAPE AND REEL DETAILS, SEE SHEET 3.  
 2. CO-PLANARITY: FLATNESS OF SMT TAILS DOES NOT EXCEED VALUES GIVEN IN TABLE.  
 3. FOR TAPE AND REEL DETAILS, SEE SHEET 3.

SB	9	03.11.17	20901
NAME	ISS.	DATE	C/NOTE
APPROVED: S.BENNETT			
CHECKED: M.PLESTED			
DRAWN: R.ADDE			
CUSTOMER REF.:			
ASSEMBLY DRG:			

 www.harwin.com technical@harwin.com	THIS DRAWING AND ANY INFORMATION OR DESCRIPTIVE MATTER SET OUT HEREON ARE CONFIDENTIAL AND COPYRIGHT PROPERTY OF THE HARWIN GROUP AND MUST NOT BE DISCLOSED, LOANED, COPIED OR USED FOR MANUFACTURING, TENDERING OR FOR ANY OTHER PURPOSE WITHOUT THEIR WRITTEN PERMISSION.	<b>TOLERANCES</b> X. = ±1mm X.X = ±0.50mm X.XX = ±0.10mm X.XXX = ±0.01mm ANGLES = ±5° UNLESS STATED	<b>MATERIAL:</b> SEE ABOVE <b>FINISH:</b> SEE ABOVE <b>S/AREA:</b> mm <sup>2</sup>	<b>TITLE:</b> 2.54mm PITCH DIL VERTICAL SKT ASSY DUAL ENTRY (PICK & PLACE, TAPE & REEL) <b>DRAWING NUMBER:</b> <b>M20-787XXXXR</b>	SHT 4 OF 4
		TITLE: 2.54mm PITCH DIL VERTICAL SKT ASSY DUAL ENTRY (PICK & PLACE, TAPE & REEL) DRAWING NUMBER: <b>M20-787XXXXR</b>		SHT 4 OF 4	