



ELECTRONICS, INC.  
 44 FARRAND STREET  
 BLOOMFIELD, NJ 07003  
 (973) 748-5089  
<http://www.nteinc.com>



## NTE30113 LED – Dual Color 5mm Yellow/Yellow Green

**Features:**

- RoHS Compliant
- White Diffused

**Absolute Maximum Ratings:** ( $T_A = +25^\circ\text{C}$  unless otherwise specified)

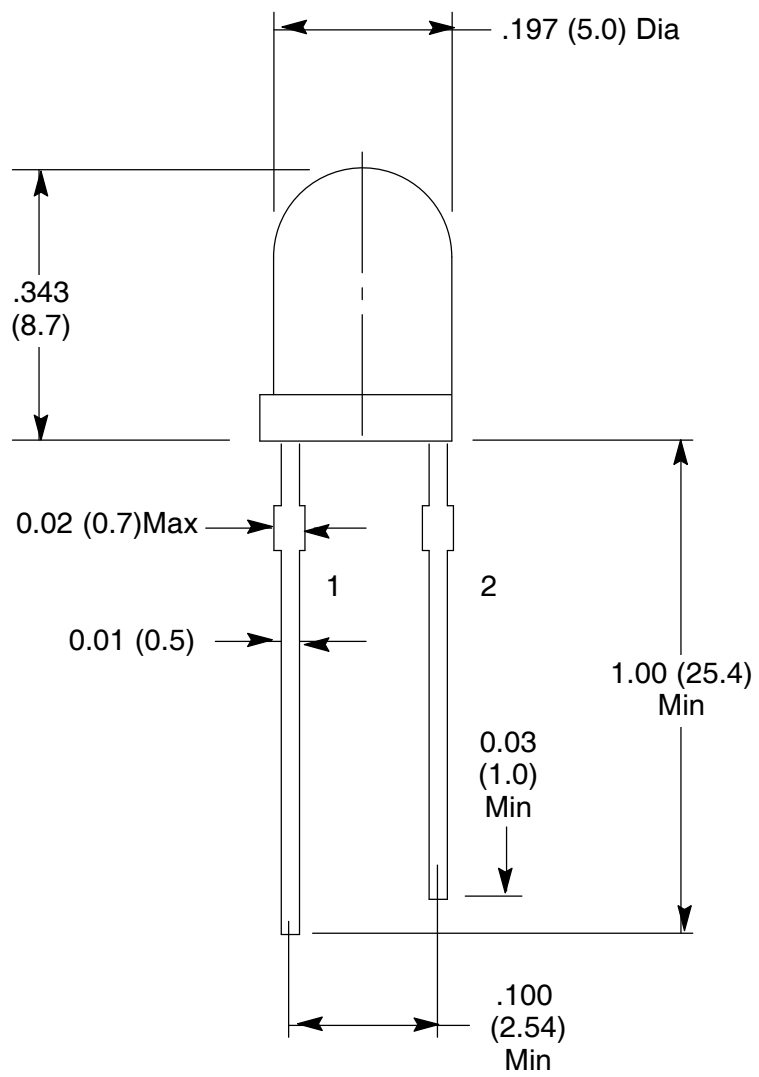
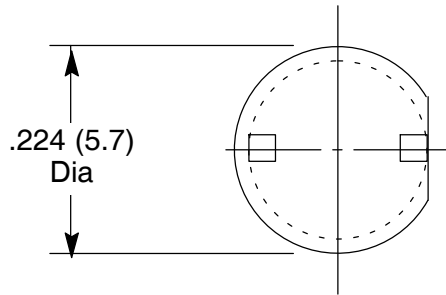
Power Dissipation, $P_d$	
Yellow	90mW
Yellow Green	84mW
Continuous Forward Current, $I_F$	25mW
Peak Forward Current (1/10 Duty Ratio, 0.1ms Pulse Width), $I_{FM}$	50mA
Reverse Voltage, $V_R$	3V
LED Junction Temperature, $T_j$	+100°C
Operating Temperature Range, $T_{opr}$	-25°C to +80°C
Storage Temperature Range, $T_{stg}$	-40°C to +100°C
DIP Soldering Temperature (During Soldering, 3mm from body, 5sec max), $T_L$	+260°C

**Electro-Optical Characteristics:** ( $T_A = +25^\circ\text{C}$  unless otherwise specified)

Parameter	Symbol	Test Conditions	Min	Typ	Max	Unit
View Angle of Half Power	$2\theta_{1/2}$	$I_F = 20\text{mA}$	-	45	-	deg
Forward Voltage	VF	$I_F = 20\text{mA}$	-	2.10	2.80	V
Yellow				2.15	2.80	V
Luminous Intensity (Note 1)	IV	$I_F = 20\text{mA}$	-	35	-	mcd
Yellow				50	-	mcd
Peak Emission Wavelength	$\lambda_p$	$I_F = 20\text{mA}$	-	589	-	nm
Yellow				570	-	nm
Dominant Wave Length (Note 2)	$\lambda_d(\text{HUE})$	$I_F = 20\text{mA}$	-	585	-	nm
Yellow				567	-	nm
Yellow Green						

Note 1. Luminous intensity is measured with an Exeltron 2001, Tolerance = 30%.

Note 2. The dominant wavelength,  $\lambda_d$ , is derived from the CIE Chromaticity Diagram and represents the color of the device.



- 1. Yellow -
- 2. Green -