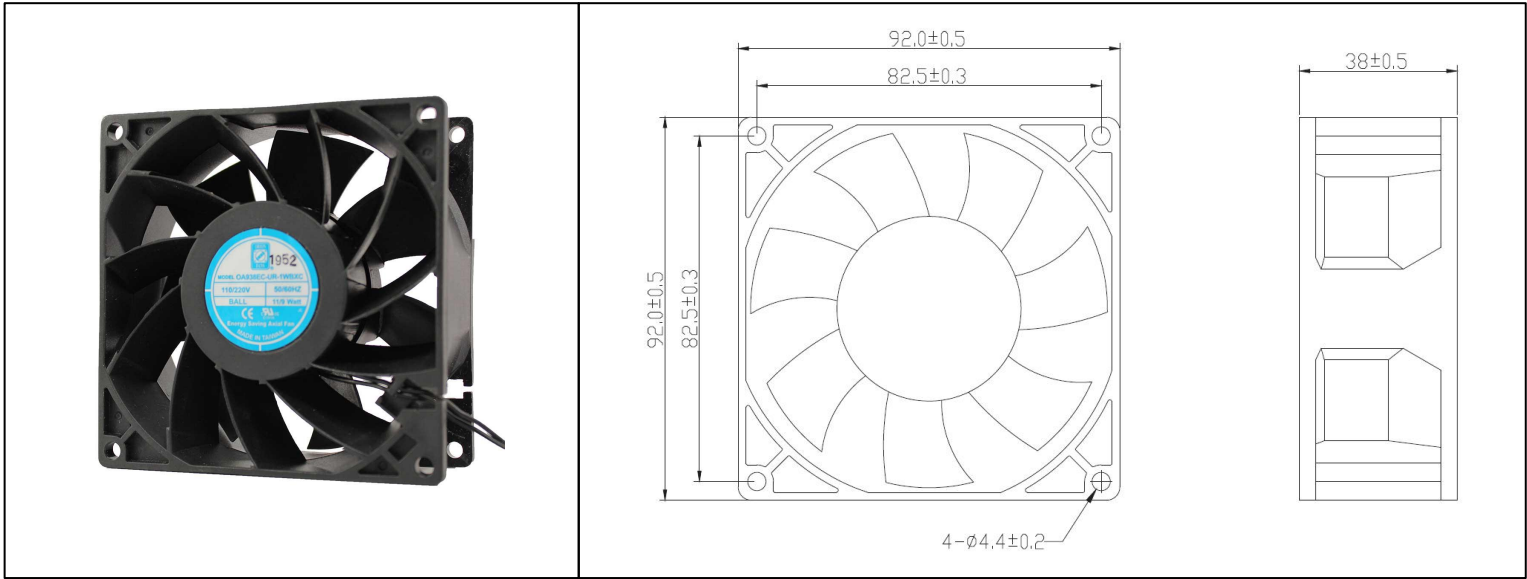


OA938EC XC Series



EC Fan - Universal Voltage
92mm x 38mm (3.62" x 1.50")



Frame	PBT, UL 94 V-0 Plastic	Operating Temperature -20°C ~ +65°C Storage Temperature -20°C ~ +75°C Life Expectancy 70,000 Hours (L10 at 40°C) Weight: 0.42 lbs	
Impeller	PBT, UL 94 V-0 Plastic		
Connection	2x Wire Leads, UL 1007 24 AWG, 300mm±10		
Motor	AC-DC Energy Saving, Electronically Protected		
Bearing System	Ball Bearings		
Dielectric Strength	1500VAC/min, <1mA		
Insulation Resistance	≥10MΩ @ 500 VDC		

Part Number	OA938EC-UR-1WBXC
Rated Voltage (Volts AC)	115 / 230, 50 / 60 Hz
Voltage Range (Volts AC)	85 ~ 265
Input Power (Watts)	11 ~ 9 (7.9 Typ.)
Rated Speed (RPM)	4200
Max Airflow (CFM)	88
Noise Level (dBA)	52
Max Static Pressure (" H ₂ O)	0.5