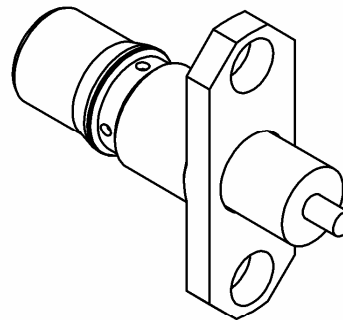
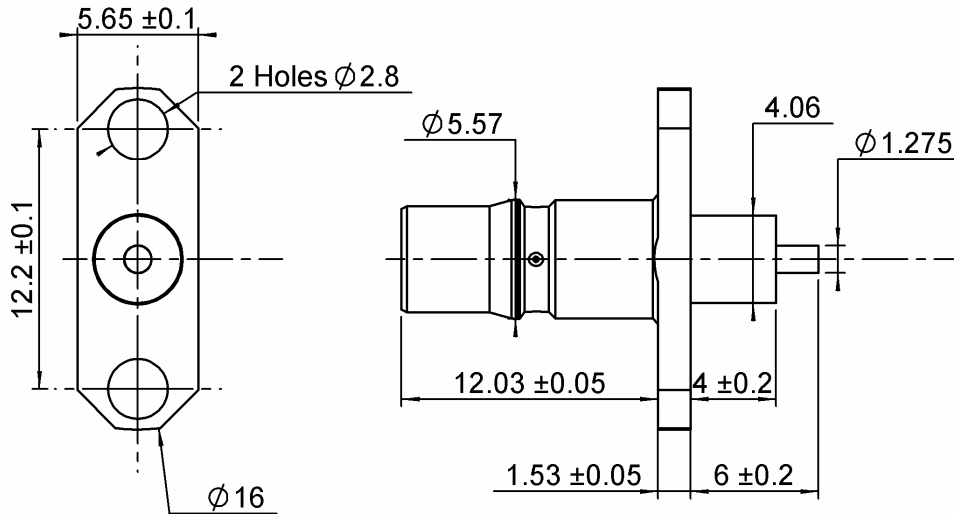


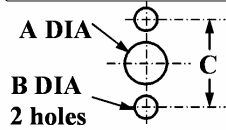
**TWO HOLES FLANGE RECEPTACLE
WITH CYLINDRICAL CONTACT**

R123.464.130

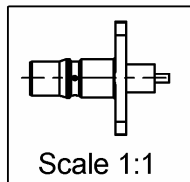
Series : QMA



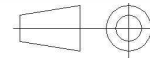
PANEL CUT OUT



	mm	
	Maxi	mini
A	4.2	4.1
B	2.9	2.8
C	12.25	12.15



All dimensions are in mm.



COMPONENTS	MATERIALS	PLATING (µm)
BODY	BRASS	BBR 2
CENTER CONTACT	BERYLLIUM COPPER	GOLD 1.3 OVER COPPER 2.5
OUTER CONTACT		
INSULATOR	PTFE	
GASKET		
OTHERS PARTS		
-	-	-
-	-	-

Issue : 0851 A

In the effort to improve our products, we reserve the right to make changes judged to be necessary.



**TWO HOLES FLANGE RECEPTACLE
WITH CYLINDRICAL CONTACT**

R123.464.130

Series : QMA

PACKAGING

Standard	Unit	Other
100	'W' option	Contact us

SPECIFICATION

ELECTRICAL CHARACTERISTICS

Impedance	50	Ω
Frequency	0-6	GHz
VSWR	1.04 + 0.0050	x F(GHz) Maxi
Insertion loss	0.05	\sqrt{F} (GHz) dB Maxi
RF leakage	- (*80)	- F(GHz)) dB Maxi
Voltage rating	500	Veff Maxi
Dielectric withstanding voltage	1000	Veff mini
Insulation resistance	5000	M Ω mini

ENVIRONMENTAL

Operating temperature	-40/+105	$^{\circ}$ C
Hermetic seal	NA	Atm.cm3/s
Panel leakage	NA	

OTHER CHARACTERISTICS

Assembly instruction **NA**

Others :

*RF leakage:Interf.only:3<F<6GHz:>70dB

**Intermod.: -120dBc at 1.8GHz(2x20W)

MECHANICAL CHARACTERISTICS

Center contact retention		
Axial force – Mating end	27	N mini
Axial force – Opposite end	27	N mini
Torque	2.8	N.cm mini
Recommended torque		
Mating	NA	N.cm
Panel nut	NA	N.cm
Mating life	100	Cycles mini
Weight	2.2250	g

Issue : 0851 A

In the effort to improve our products, we reserve the right to make changes judged to be necessary.

